

SKYSOL Track Large Order Form and Product Guide

Customer _____ Tel _____ Order _____ Quote _____ Date _____
 Address _____ Mobile _____ Project Name _____
 _____ Email _____ Project Location _____

1	2	3	4	5	6	7	8	9	10	11	12	13
ID	Location	Width (X) ¹	Straight line Length(Y) ²	Honeycomb Fabric code ³	Control	Head rail	Moving rail	Side track	Track curved or straight ²	Fill in one option only		Qty
										Manual Handle type	Powered Switches, transformers or controls required	
1					Manual Powered ⁴	White	White	White	Curved DWG or CAD Template	Fixed Handle Plastic ⁶ Metal Nickel Metal Chrome	yes ⁴ No	
						Beige	Beige	Beige				
						Graphite	Aluminium	Aluminium	Straight			
						Custom ⁵	Custom ⁵	Custom ⁵				
2					Manual Powered ⁴	White	White	White	Curved DWG or CAD Template	Fixed Handle Plastic ⁶ Metal Nickel Metal Chrome	yes ⁴ No	
						Beige	Beige	Beige				
						Graphite	Aluminium	Aluminium	Straight			
						Custom ⁵	Custom ⁵	Custom ⁵				

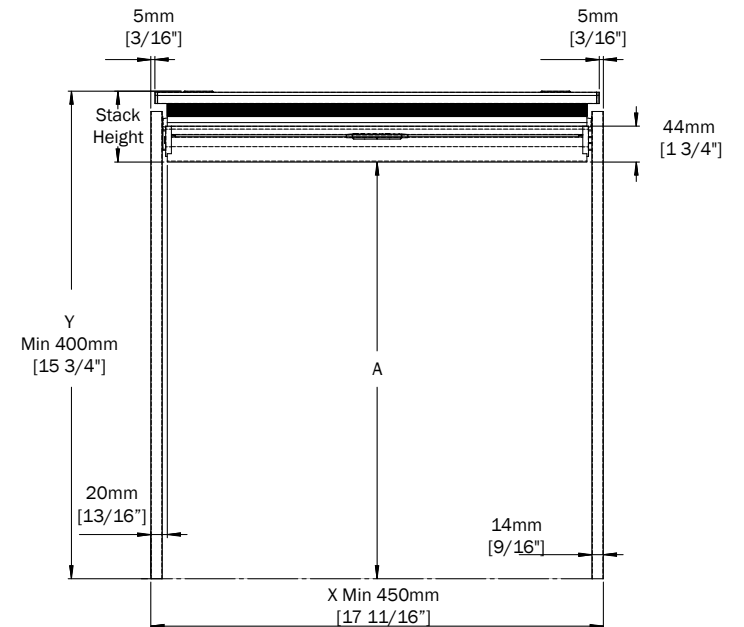
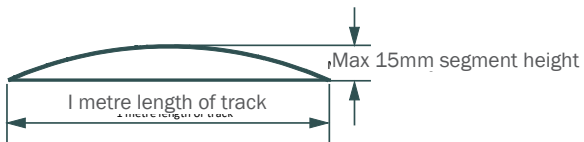
Minimum and Maximum Dimensions

	Width (X)		Drop (Y)	
	Min	Max	Min	Max
Manual	450mm [17 11/16"]	2200mm [87"]	400mm [15 3/4"]	3000mm [118"]
Powered	600 mm [23 5/8"]		700 mm [27 9/16"]	

The powered version is limited to max 4.5 square meters.

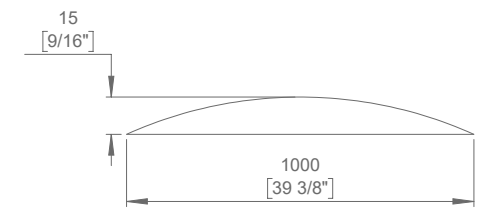
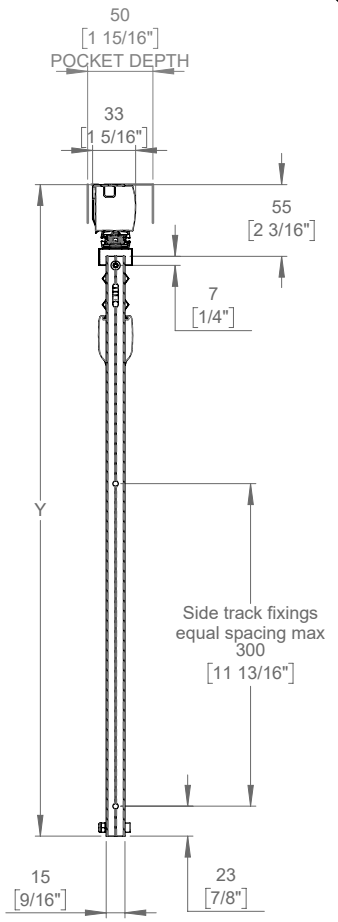
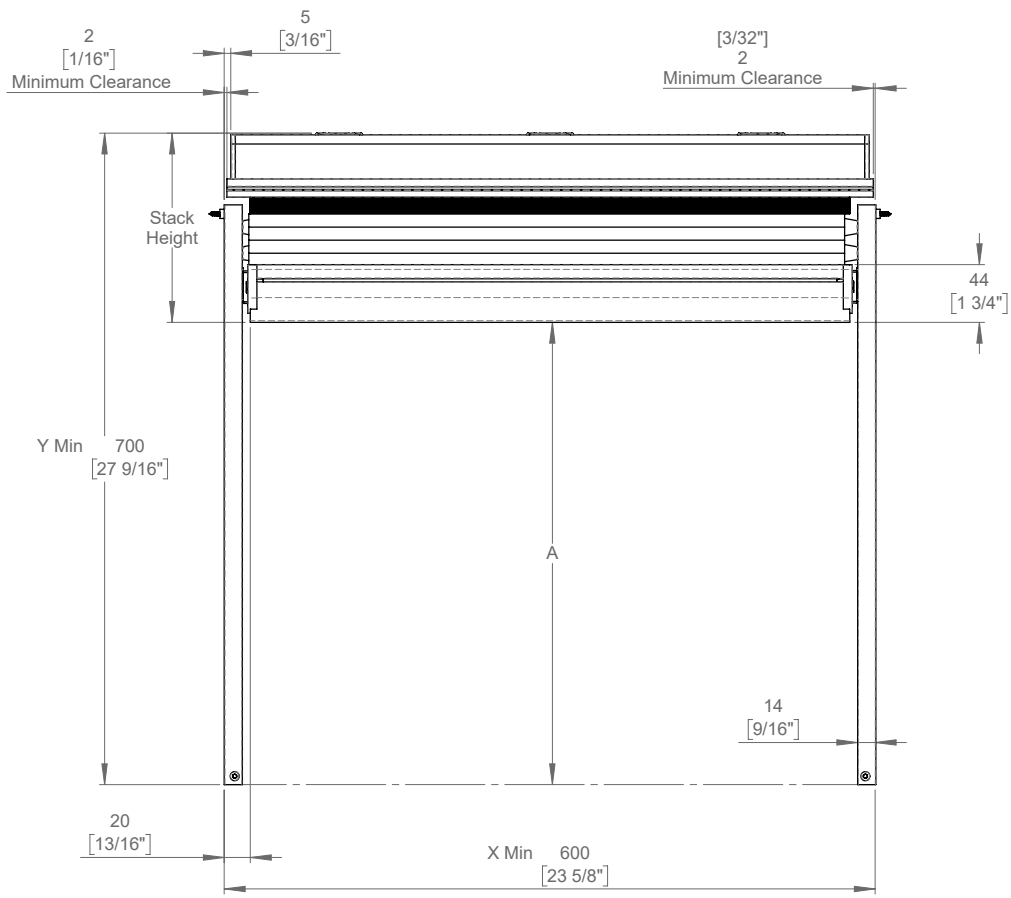
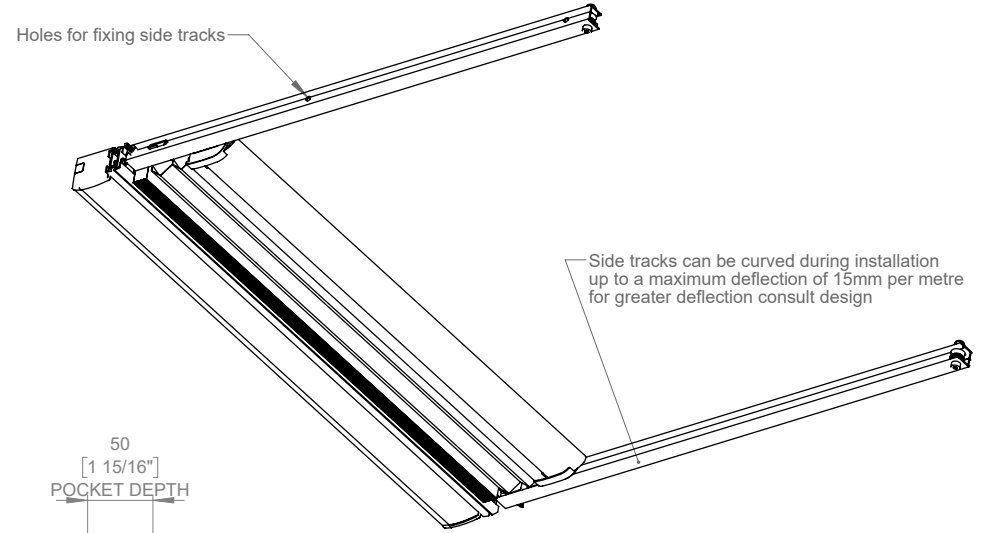
- The blind will work in a recess that is up to 10mm wider than the specified X, however this will increase light gap on each side of the blind.
- Straight track can be flexed on installation up to maximum segment height of 15mm over a track length of 1 metre.
 • Tracks with a cord a length greater than 15mm are treated as curved and a drawing or template will be required.
 • If "Meet in Middle " is required, order two single blinds with half the recess drop.
- 25mm Honeycomb only, please see online fabric collection for codes.
- Please fill in a [Powered Accessories Custom Order Form](#).
- Moving rail endcaps and seals are available in beige or white, track gliders are in white only.
- Colour matched to moving rail.

Tracks are mounted perpendicular to recess, see tech sheet for tolerances

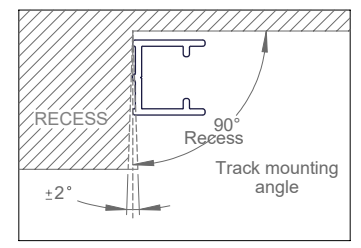


SKYSOL Track Large Order Form and Product Guide

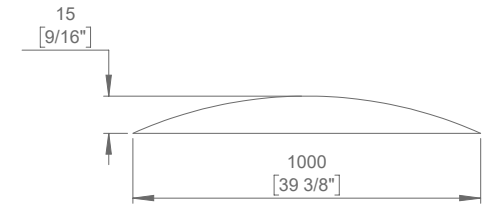
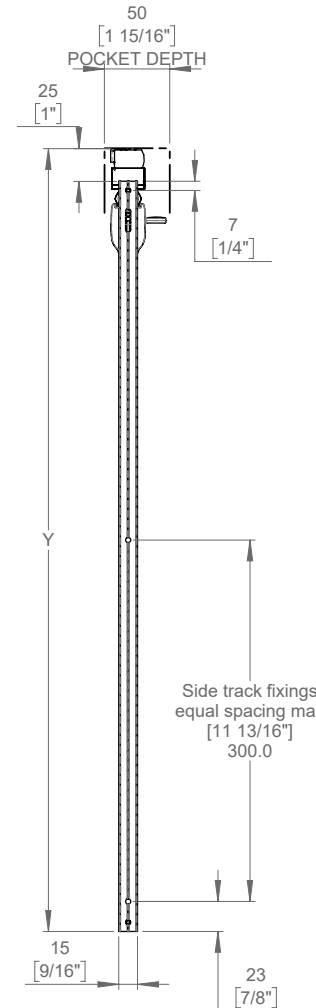
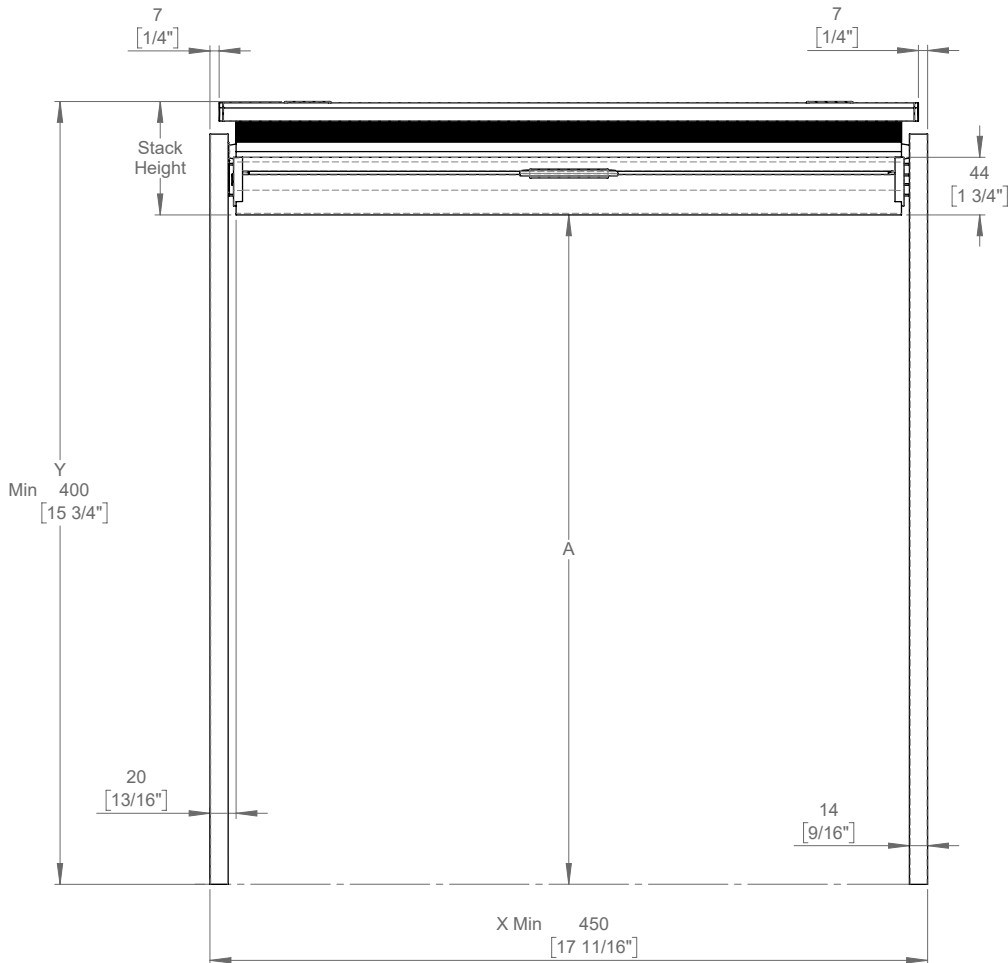
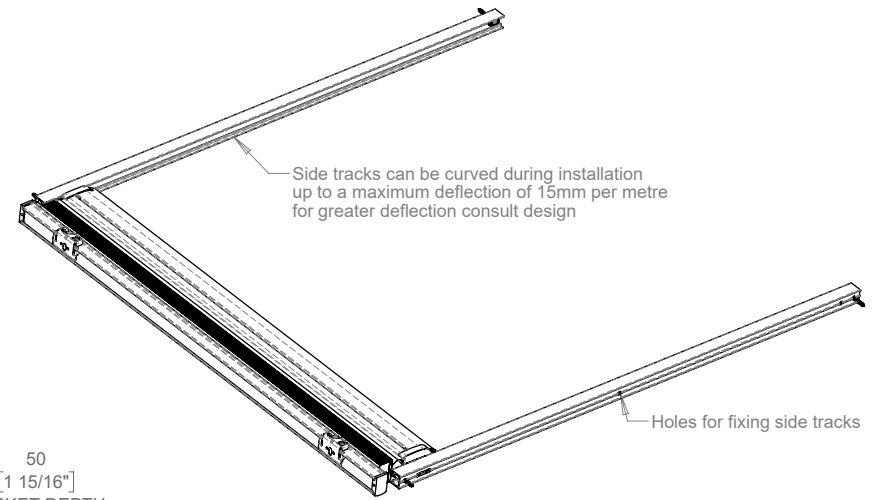
Powered



For a larger deflection separate CAD or template are required to pre bend sidetrack



SKYSOL Track Large Order Form and Product Guide Manual



For a larger deflection separate CAD or template are required to pre bend sidetrack

