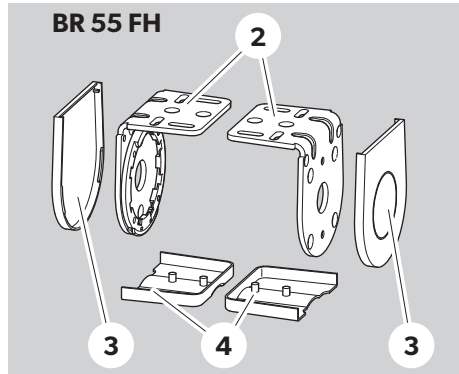
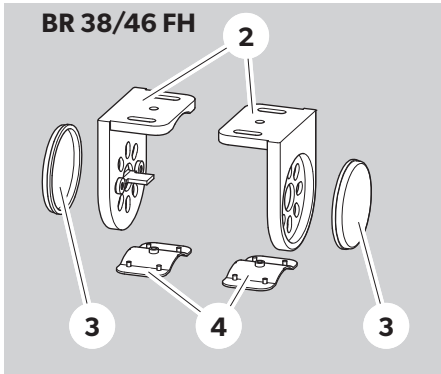
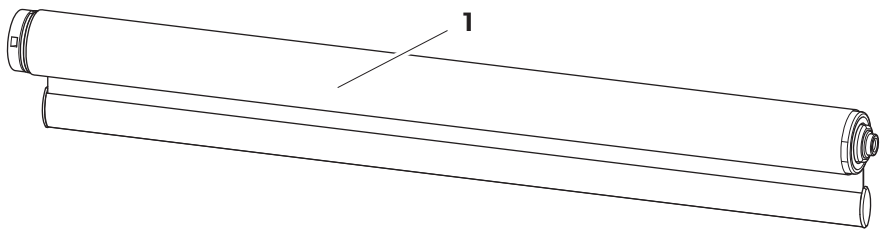
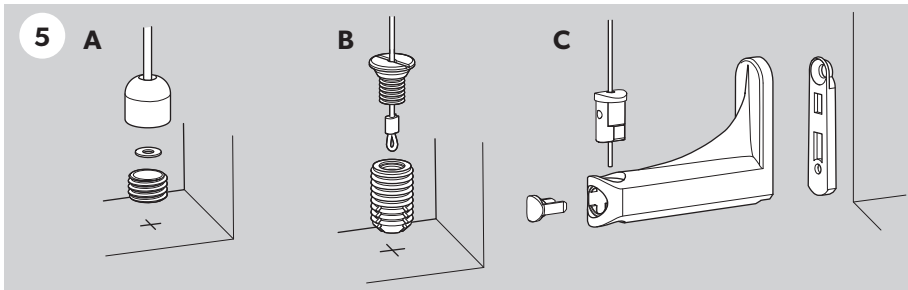
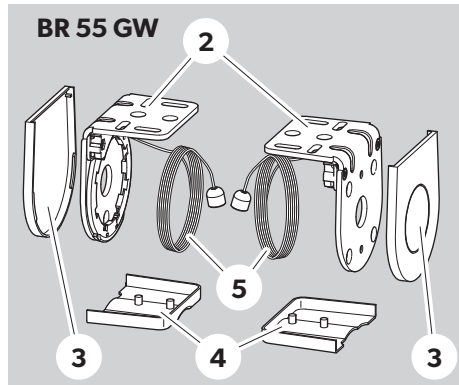
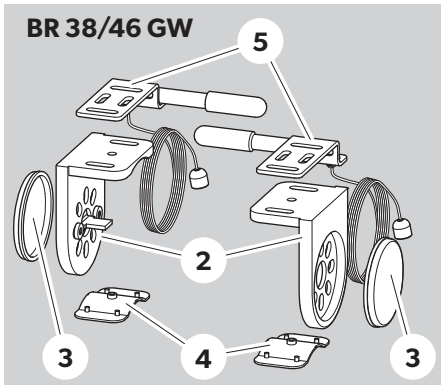
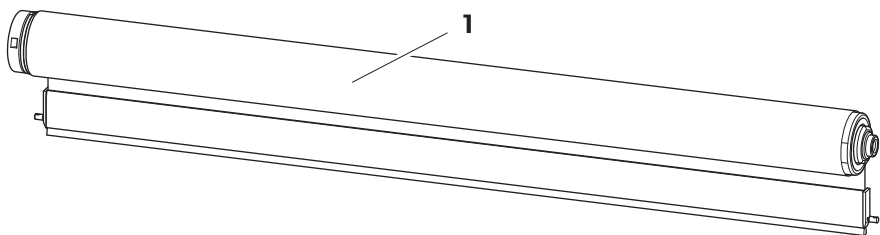


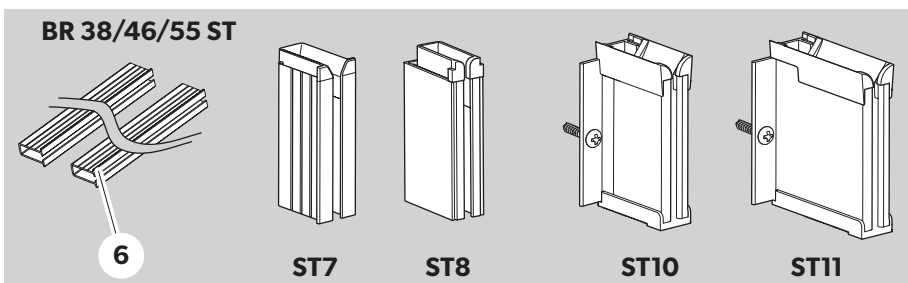
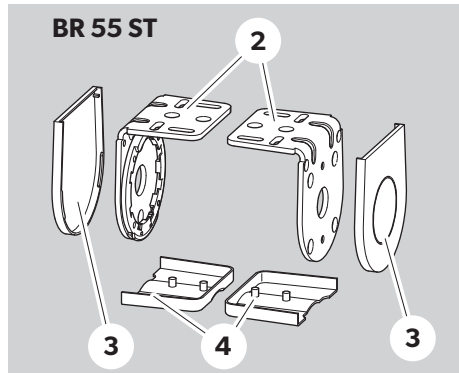
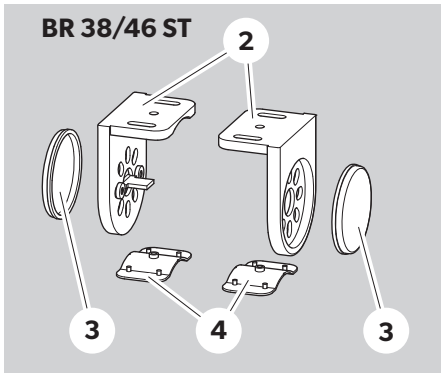
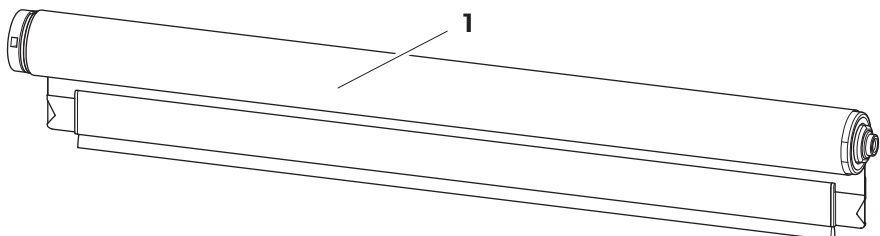
1 BR 38/46/55 FH



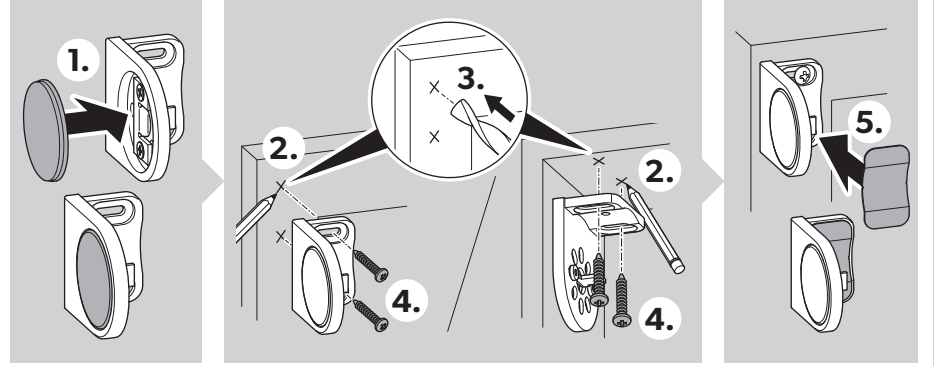
BR 38/46/55 GW



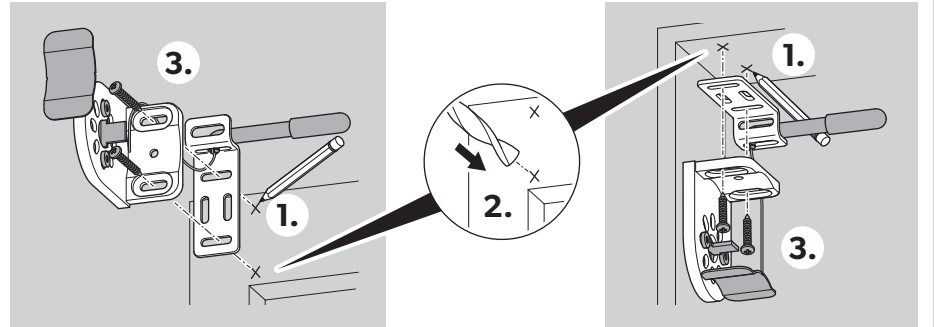
BR 38/46/55 ST



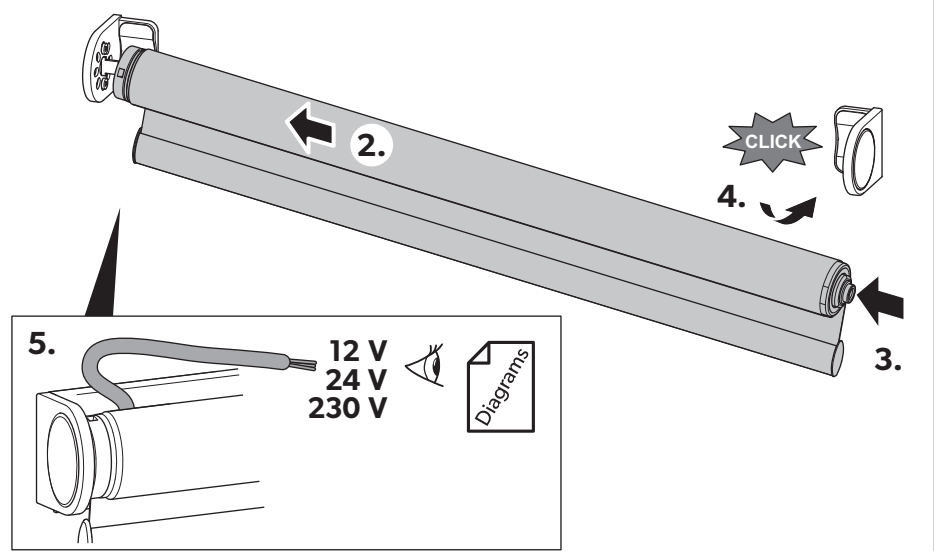
2 BR 38/46 FH/ST



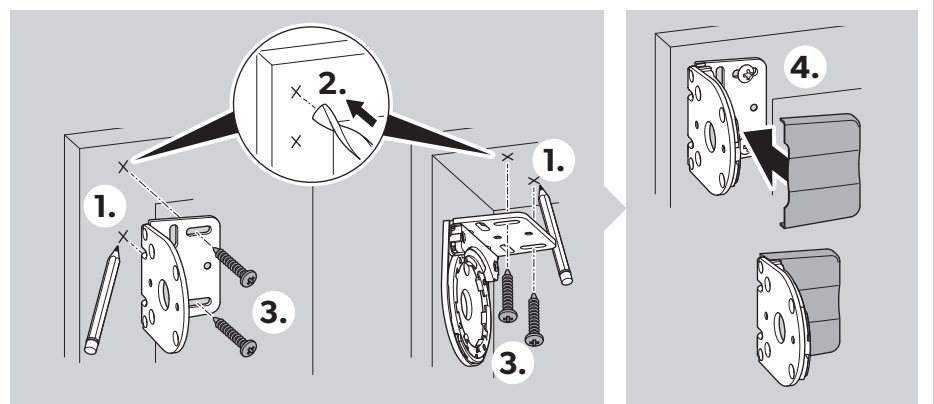
3 BR 38/46 GW



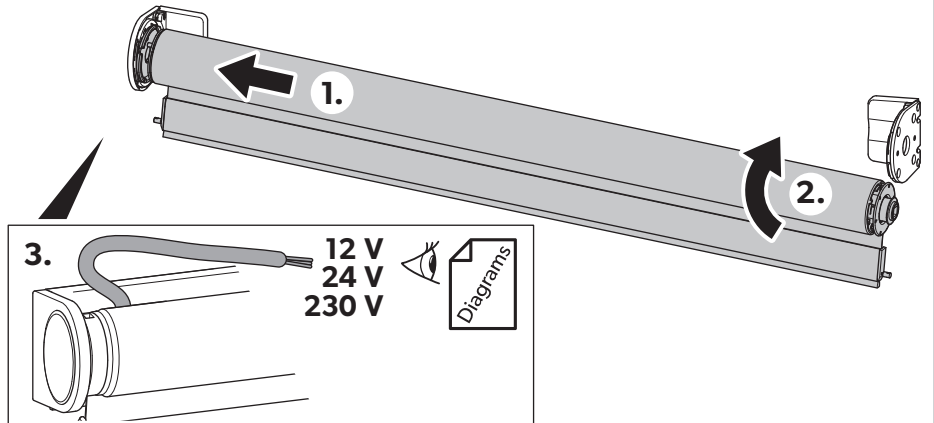
4 BR 38/46 FH/GW/ST



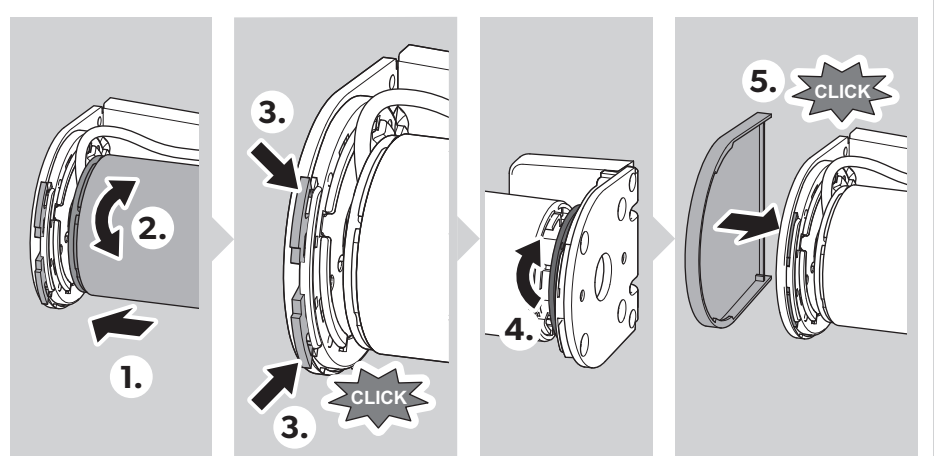
5 BR 55 FH/GW/ST



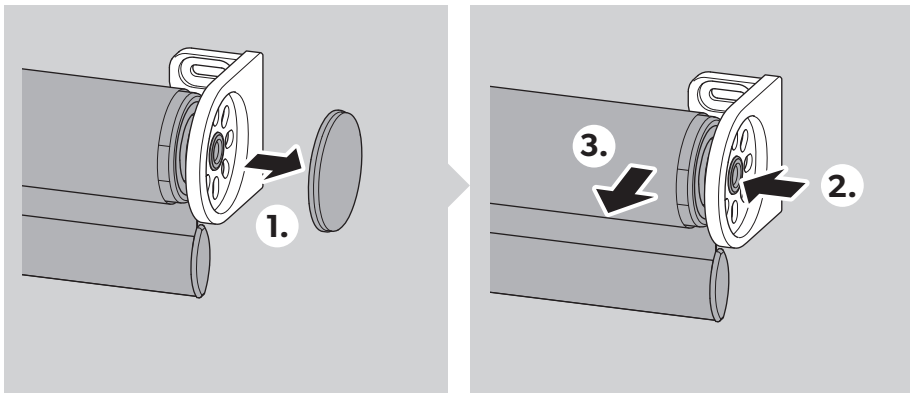
6 BR 55 FH/GW/ST



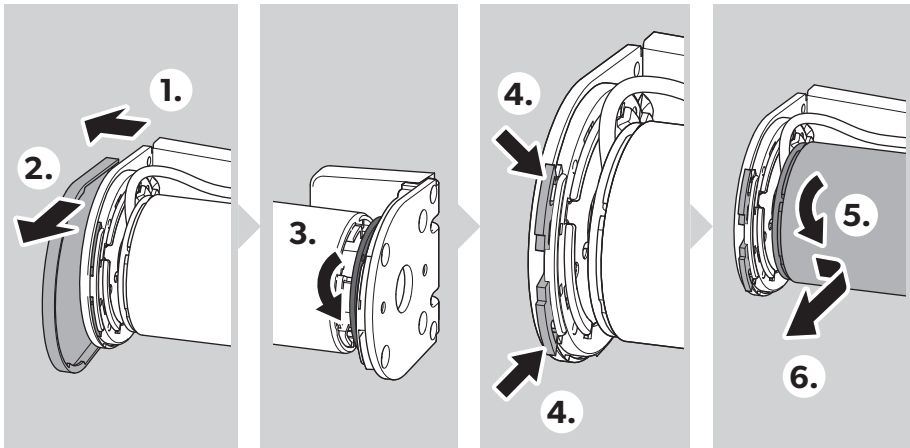
7 BR 55 FH/GW/ST



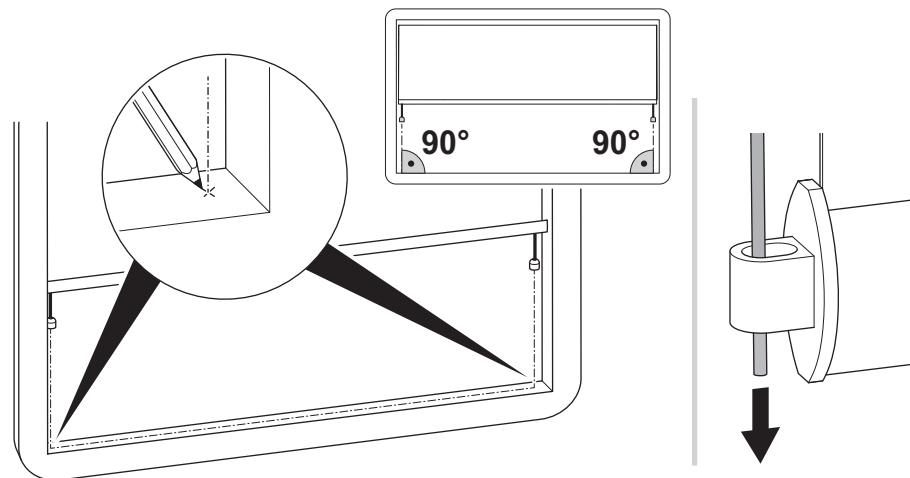
8 BR 38/46 FH/GW/ST



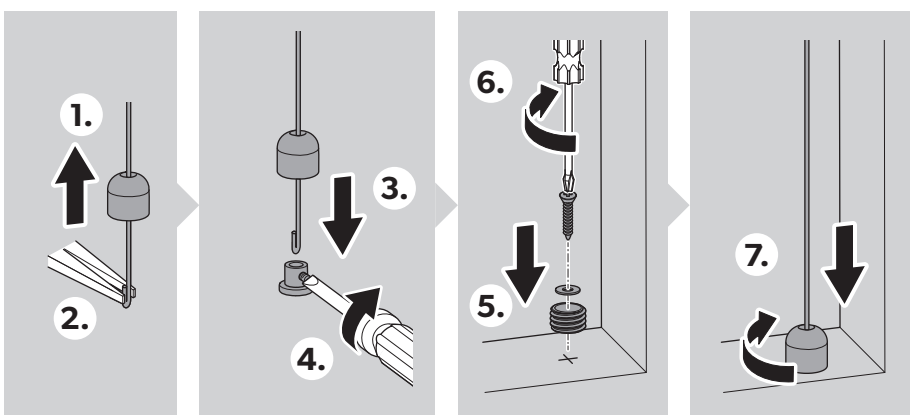
9 BR 55 FH/GW/ST



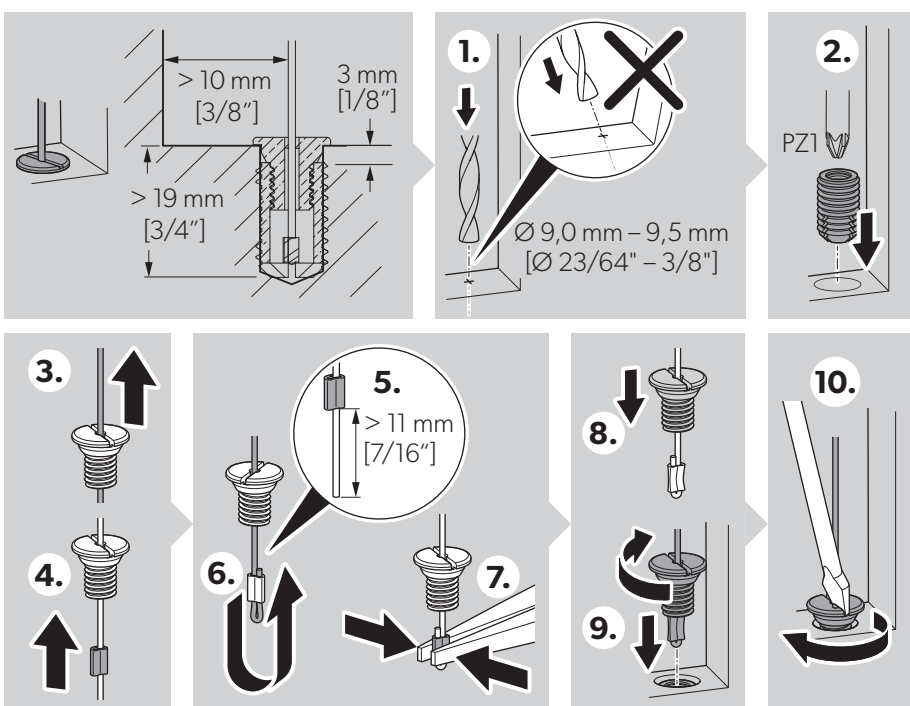
10 BR 38/46/55 GW



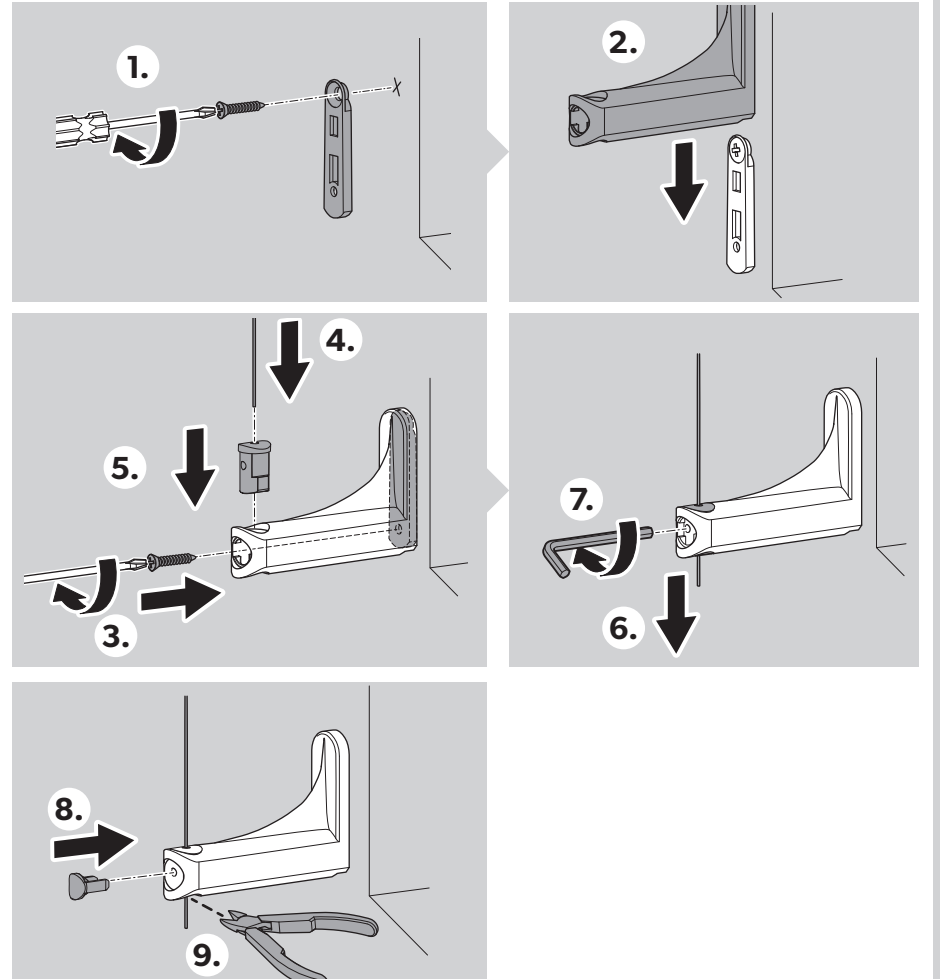
11 BR 38/46/55 GW A



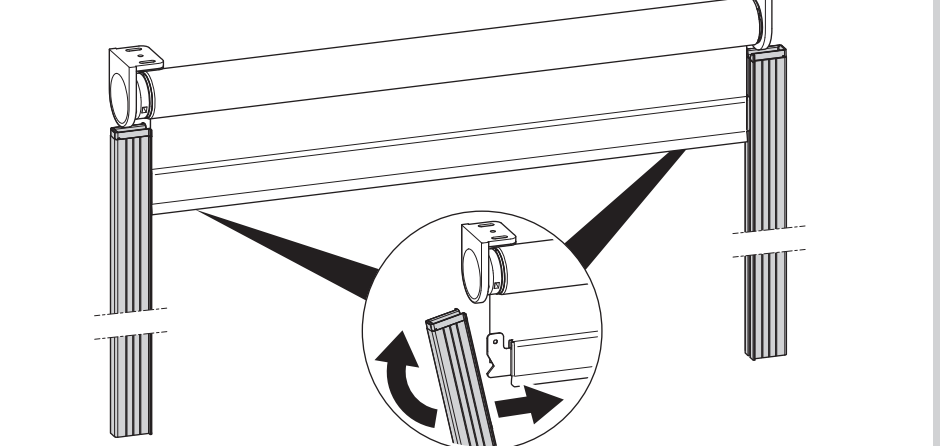
12 BR 38/46/55 GW B



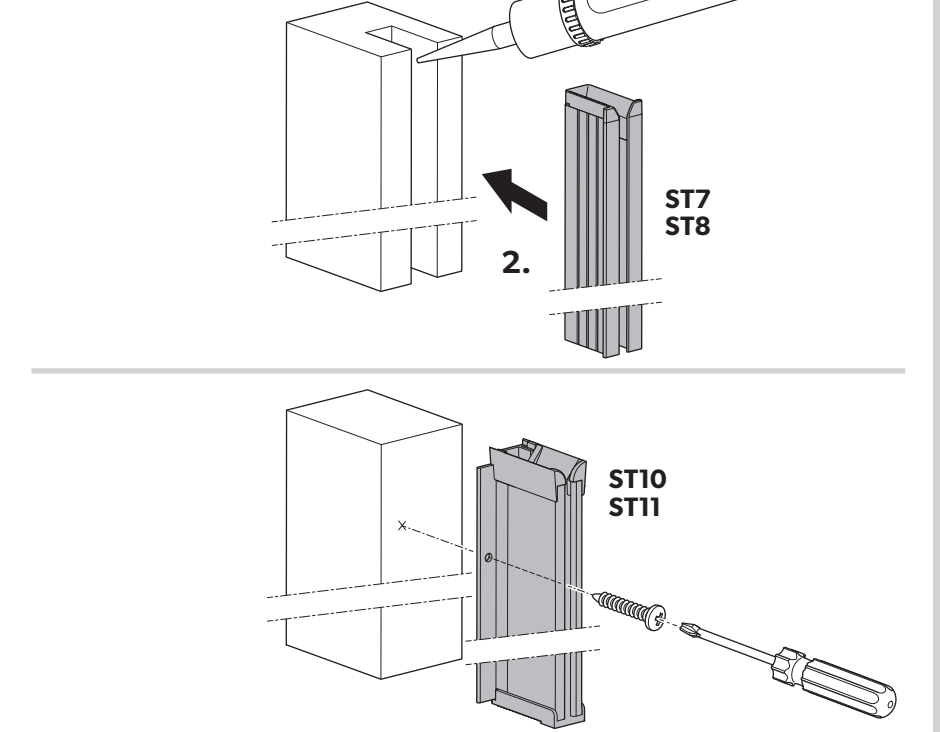
13 BR 38/46/55 GW C



14 BR 38/46/55 ST



15 BR 38/46/55 ST



16 BR 38/46/55

