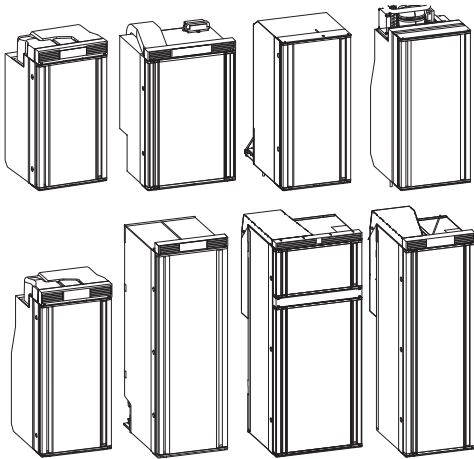




REFRIGERATION

10-SERIES



RC10.4S.70, RC10.4T.70, RC10.4S.90, RC10.4T.90, RC10.4P.100, RC10.4M.90,
RCS10.5S, RCS10.5T, RCS10.5XS, RCS10.5XT, RCL10.4E, RCL10.4ES, RCL10.4ET,
RCD10.5S, RCD10.5T, RCD10.5XS, RCD10.5XT

| | |
|-----------|--------------------------------|
| EN | Compressor refrigerator |
| | Installation Manual..... 2 |

English

| | | |
|---|-----------------------------|----|
| 1 | Important notes..... | 2 |
| 2 | Explanation of symbols..... | 2 |
| 3 | Safety instructions..... | 2 |
| 4 | Intended use..... | 3 |
| 5 | Installation..... | 4 |
| 6 | Disposal..... | 10 |
| 7 | Technical data..... | 10 |

1 Important notes

Please read these instructions carefully and follow all instructions, guidelines, and warnings included in this product manual in order to ensure that you install, use, and maintain the product properly at all times. These instructions **MUST** stay with this product.

By using the product, you hereby confirm that you have read all instructions, guidelines, and warnings carefully and that you understand and agree to abide by the terms and conditions as set forth herein. You agree to use this product only for the intended purpose and application and in accordance with the instructions, guidelines, and warnings as set forth in this product manual as well as in accordance with all applicable laws and regulations. A failure to read and follow the instructions and warnings set forth herein may result in an injury to yourself and others, damage to your product or damage to other property in the vicinity. This product manual, including the instructions, guidelines, and warnings, and related documentation, may be subject to changes and updates. For up-to-date product information, please visit documents.domestic.com.

2 Explanation of symbols

A signal word will identify safety messages and property damage messages, and also will indicate the degree or level of hazard seriousness.



WARNING!

Indicates a hazardous situation that, if not avoided, could result in death or serious injury.



CAUTION!

Indicates a hazardous situation that, if not avoided, could result in minor or moderate injury.



NOTICE!

Indicates a situation that, if not avoided, could result in property damage.



NOTE Supplementary information for operating the product.

3 Safety instructions

3.1 General safety



WARNING! Electrocutation hazard

- > This device may only be repaired by qualified personnel. Inadequate repairs can lead to considerable hazards. Contact an authorized service center in case of repair.
- > Plug the device to sockets that ensure proper connection especially when the device needs to be grounded.



WARNING! Fire hazard

- > For devices with flammable refrigerant: The refrigeration circuit contains a small quantity of an environmentally friendly but flammable refrigerant. It does not damage the ozone layer and does not increase the greenhouse effect. Any leaking refrigerant may ignite.

- > The refrigerant in the refrigerant circuit is highly flammable and in the event of a leakage combustible gases could build up if the device is in a small room. In the event of any damage to the refrigerant circuit:
 - Keep naked flames and potential ignition sources away from the device.
 - Ventilate the room well.
 - Switch off the device.
- > Do not use or store refrigerant in enclosed spaces with none or minimal air flow.



WARNING! Health hazard

- > This device can be used by children aged from 8 years and above and persons with reduced physical, sensory or mental capabilities or lack of experience and knowledge if they have been given supervision or instruction concerning use of the device in a safe way and understand the hazards involved.
- > Children aged from 3 to 8 years are allowed to load and unload the device.
- > Cleaning and user maintenance shall not be made by children without supervision.
- > Children must be supervised to ensure that they do not play with the device.



WARNING! Risk of child entrapment

- > Ensure that the shelves are mounted and secured in such a way that children cannot climb into the device or lock themselves inside. Only remove the shelves for cleaning purposes.
- > Before disposing of your old device:
 - Dismantle the drawers.
 - Leave the shelves in the device so that children cannot climb inside.
 - Take off the doors.



CAUTION! Risk of injury

Do not put your fingers into the hinge.



NOTICE! Damage hazard

- > The device shall not be exposed to rain.
- > Do not lean on the open device door.
- > Protect the device and the cable(s) against heat and moisture.
- > Never pull the plug out of the socket by the cable.

3.2 Safety when installing the refrigerator



WARNING! Electrocuting hazard

- > Installation and removal of the device may only be carried out by qualified personnel.
- > When positioning the device, ensure that the supply cord is not trapped or damaged.
- > Do not locate multiple portable socket-outlets or portable power supplies at the rear of the device.



CAUTION! Risk of injury

To avoid a hazard due to instability of the device, it must be fixed in accordance with the installation instructions.

4 Intended use

The refrigerator is intended for:

- Installation in motor homes and caravans

- Cooling, deep-freezing and storing food

The refrigerator is **not** suitable for:

- Storing medications
- Storing corrosive substances or substances that contain solvents
- Quick-freezing food

This refrigerator is **not** intended for commercial, retail or household applications.

The frozen compartment is suitable for storing pre-frozen food, storing or making ice cream and making ice cubes. It is **not** suitable for freezing previously unfrozen food.

The refrigerator is intended for installation in a piece of cabinetry or an installation niche.

Optimum cooling performance is provided at ambient temperatures between and at a maximum humidity of 90 % .

This product is only suitable for the intended purpose and application in accordance with these instructions.

This manual provides information that is necessary for proper installation and/or operation of the product. Poor installation and/or improper operation or maintenance will result in unsatisfactory performance and a possible failure.

The manufacturer accepts no liability for any injury or damage to the product resulting from:

- Incorrect installation, assembly or connection, including excess voltage
- Incorrect maintenance or use of spare parts other than original spare parts provided by the manufacturer
- Alterations to the product without express permission from the manufacturer
- Use for purposes other than those described in this manual

Dometic reserves the right to change product appearance and product specifications.

5.1 Installation



The mechanical and electrical installation and setup of the device must be performed by a qualified technician who has demonstrated skill and knowledge related to the construction and operation of automotive and household equipment and installations, and who is familiar with the applicable regulations of the country in which the equipment is to be installed and/or used, and has received safety training to identify and avoid the hazards involved.



CAUTION! Risk of injury

- > To avoid a hazard due to instability of the device, it must be fixed in accordance with the instructions.
- > The device has sharp edges. Wear gloves during installation.



Find the instructions for changing the door stop and the decorative plate online at: qr.dometic.com/berFOL.



5.1.1 Installation location

When choosing an installation location, note the following:

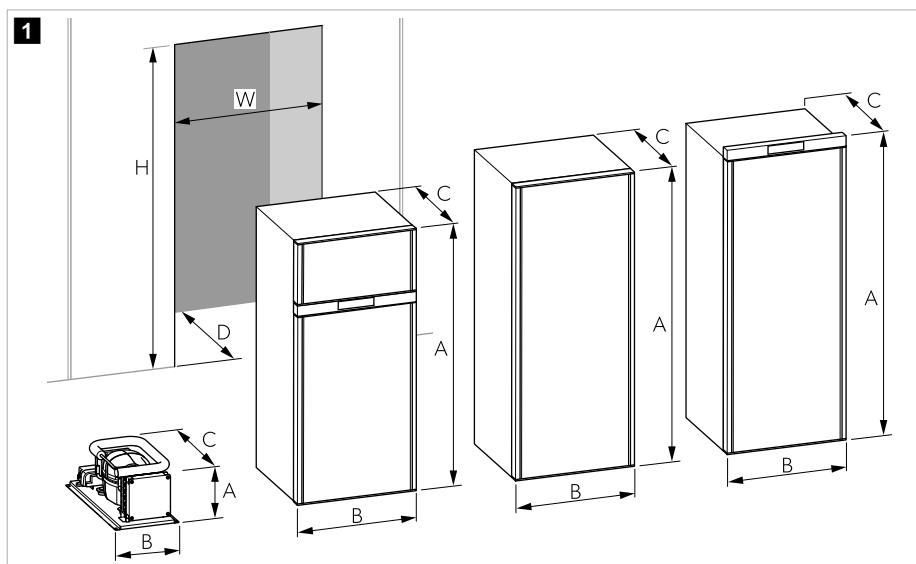
- The refrigerator must be installed so that
 - The refrigerator is easily accessible for service work
 - The refrigerator is easy to uninstall and install

- The refrigerator can be easily removed from the vehicle
- Do not install the refrigerator in the rear of recreational vehicles with the door facing the direction of travel.



NOTE Exception: In motorhomes, the **RC10.4** models can be installed with the door facing the direction of travel, provided it is installed behind the drivers seat or passenger seat.

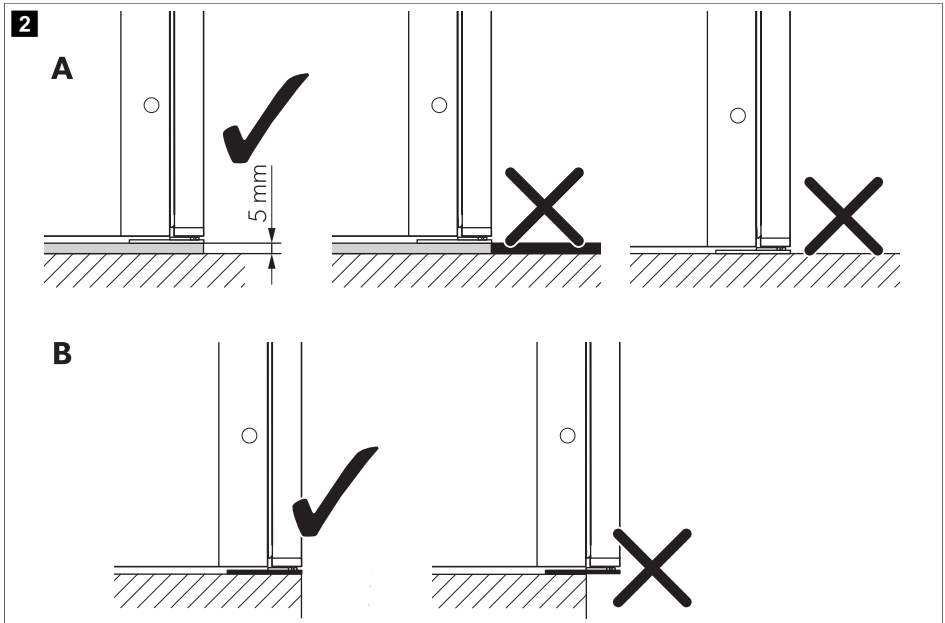
- The refrigerator must not be installed to the side of the air inlet and outlet vents as this leads to poor performance and increases the power consumption of the refrigerator.
- The air inlet and outlet vents must not be covered by vehicle parts during operation (e.g. by an open door or by attached accessories such as bicycle racks).
- Choose a location where the refrigerator is protected from drafts, excessive heat and moisture.
- Ensure that the door can be opened and closed unhindered.
- The refrigerator must be installed in a recess so that it stands secure when the vehicle is in motion.
- Consider the dimensions of the refrigerator (see chapter Technical data on page 10) and the required dimensions of the recess:



| | RC10.4(S)(T).70 | RC10.4(S)(T).90 |
|---|------------------------|------------------------|
| Refrigerator height (A) | 821 mm | 975 mm |
| Refrigerator width (B) | 420 mm | 420 mm |
| Refrigerator depth (C) (excluding control knob, 5 mm) | 450 mm | 485 mm |
| Recess height (H) | 828 mm | 982 mm |
| Recess width (W) | 425 mm | 425 mm |
| Recess depth (D) | 452 mm | 487 mm |

| | RC10.4P.100 | RC10.4M.90 |
|---|----------------------|-----------------------|
| Refrigerator height (A) | 900 mm | 901 mm |
| Refrigerator width (B) | 420 mm | 420 mm |
| Refrigerator depth (C) (excluding control knob, 5 mm) | 655 mm | 485 mm |
| Recess height (H) | 907 mm | 908 mm |
| Recess width (W) | 425 mm | 425 mm |
| Recess depth (D) | 657 mm | 487 mm |
| | RCD10.5(S)(T) | RCD10.5X(S)(T) |
| Refrigerator height (A) | 1282 mm | 1282 mm |
| Refrigerator width (B) | 523 mm | 523 mm |
| Refrigerator depth (C) (excluding control knob, 5 mm) | 565 mm | 620 mm |
| Recess height (H) | 1290 mm | 1290 mm |
| Recess width (W) | 528 mm | 528 mm |
| Recess depth (D) | 568 mm | 623 mm |
| | RCL10.4(S)(T) | RCL10.4E(S)(T) |
| Refrigerator height (A) | 1293 mm | 1293 mm |
| Refrigerator width (B) | 420 mm | 420 mm |
| Refrigerator depth (C) (excluding control knob, 5 mm) | 595 mm | 595 mm |
| Recess height (H) | 1301 mm | 1301 mm |
| Recess width (W) | 425 mm | 425 mm |
| Recess depth (D) | 598 mm | 598 mm |
| | RCS10.5(S)(T) | RCS10.5X(S)(T) |
| Refrigerator height (A) | 821 mm | 821 mm |
| Refrigerator width (B) | 523 mm | 523 mm |
| Refrigerator depth (C) (excluding control knob, 5 mm) | 555 mm | 610 mm |
| Recess height (H) | 829 mm | 829 mm |
| Recess width (W) | 528 mm | 528 mm |
| Recess depth (D) | 558 mm | 613 mm |

5.1.2 Preparing the installation



When installing the refrigerator, note the following:

- Park the vehicle horizontally to ensure that the floor is solid and level.
- If the compressor refrigerator replaces an absorption unit, ensure that the external ventilation grilles are fully closed, otherwise there is a risk that the compressor will not run at low ambient temperatures (approx. below 0°C).
- Install the refrigerator with a minimum distance of 5 mm from the floor (A) to ensure that no obstacles (e.g., carpets) interfere with the free movement of the door.
- The refrigerator must be positioned right up to the front edge of the cabinet door (B).

5.1.3 Installing the compressor unit (RC 10.4M.90)


The compressor unit is removable and can be installed separately from the refrigerator.

Installation location

Observe the following instructions when selecting an installation location for the compressor unit:

- Choose a location for the compressor unit at a maximum distance of 1.5 m from the refrigerator.
- Ensure that the ventilation grille has a free cross-section of at least 60 cm².

Preparing the installation

- Prepare a closed duct. The duct must be at one end open and equipped with a ventilation grille.
- Note the following maximum dimensions of the duct ( Fig. 1 on page 5):

| | Compressor unit | | Duct | |
|--------|-----------------|--------|----------|--------|
| Height | A | 169 mm | H | 177 mm |

| | Compressor unit | | Duct | |
|-------|-----------------|--------|----------|--------|
| Width | B | 185 mm | W | 190 mm |
| Depth | C | 396 mm | D | 400 mm |

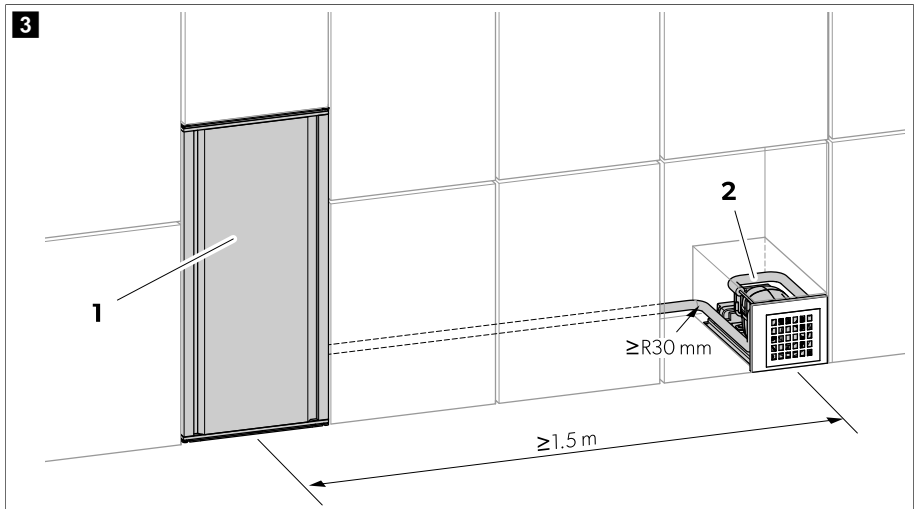
Mounting the compressor unit



NOTICE! Damage hazard

Lay the suction pipe in such a way that it is not damaged (e.g. by sharp edges or strong bends). Observe the minimum bending radius of the suction pipe (≥ 30 mm).

1. Place the compressor unit in the duct with the fan side facing the ventilation grille.
2. Install the compressor unit as shown.



| No. | Description |
|-----|-----------------|
| 1 | Refrigerator |
| 2 | Compressor unit |

5.1.4 Installing the condensate drain



NOTE

- Condensation can form inside the refrigerator, e.g. due to frequent opening of the door or incorrectly stored food.
- Condensation must be drained with a constant slope.

- > **Variant 1:** Route the condensation hose from the refrigerator through an opening in the floor to the outside.

- > **Variant 2:** Connect the condensation hose directly to the fastening provided on the ventilation grille (1).



5.1.5 Connecting the power supply



NOTICE! Damage hazard

- > To avoid voltage loss and therefore a drop in performance, the cable should be kept as short as possible and should not be interrupted if possible. For this reason avoid additional switches, plugs or power strips.
- > Check that the voltage specification on the data plate is the same as that of the power supply.
- > Do not reverse the polarity.

1. Determine the required cross section of the cable in relation to the cable length according to
2. Connect the cables to the AMP connector of the refrigerator ().
3. Connect the positive red (rd) cable to the positive (+) pole of the 12 V power supply.



NOTICE! Damage hazard

Protect the positive red (rd) cable with a 10 A fuse.

4. Connect the black (bk) cable to the negative (-) pole of the 12 V power supply.

5.1.6 Securing the refrigerator

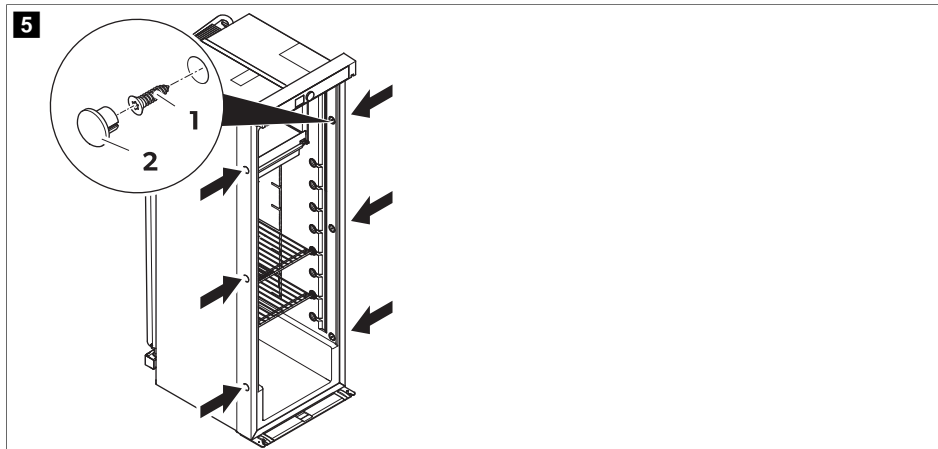


NOTICE! Damage hazard

- > Only screw through the bushings provided, otherwise foamed components, such as cables, can be damaged.
- > Fasten the side walls or the attached strips in such a way that the screws are tight even under increased load (while driving).



NOTE The refrigerator is designed to provide a regulated air flow. The manufacturer does not recommend to leave additional space between the refrigerator and the recess walls.



1. Place the refrigerator in its final position with the front flange sitting tight against the recess front.
2. Fasten the screws (1) through the plastic bushings in the sides of the refrigerator, and further into the wall.
3. Put the caps (2) onto the screw heads.

6 Disposal



CAUTION! Fire hazard

- > This device contains flammable insulation blowing gas.
- > Only have the device removed and disposed of by a specialist.



Recycling products with batteries, rechargeable batteries, and light sources: Remove any batteries, rechargeable batteries, and light sources before recycling the product. Return defective or used batteries to your retailer or dispose of them at collection points. Do not dispose of any batteries, rechargeable batteries, and light sources with general household waste. If you wish to finally dispose of the product, ask your local recycling center or specialist dealer for details about how to do this in accordance with the applicable disposal regulations. The product can be disposed free of charge.

7 Technical data

For the current EU declaration of conformity for your device please refer to the respective product page on dometic.com or contact the manufacturer directly (see dometic.com/dealer).

Further product information can be accessed via QR code on the energy label or via eprel.ec.europa.eu.

This device complies with UN ECE Regulation R10.

Depending on the model, the refrigerator uses either R134a or R600a as refrigerant. Refer to the data plate for the refrigerant used.

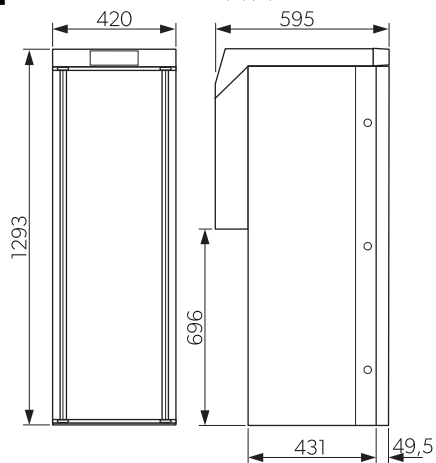
For R134a models applies:

This product contains fluorinated greenhouse gases.

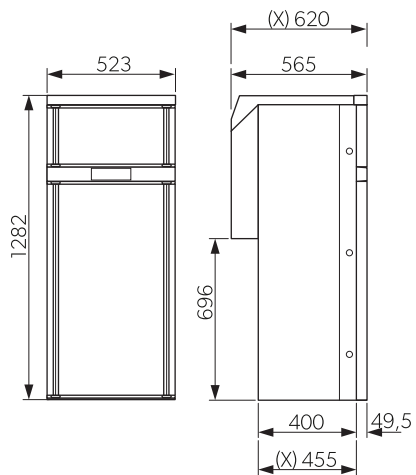
The cooling unit is hermetically sealed.

6

RCL 10.4(S)(T)

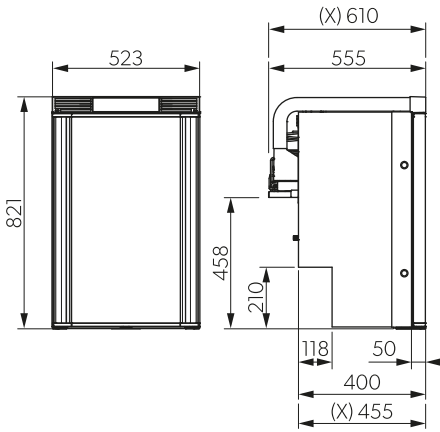


RCD 10.5(X)(S)(T)

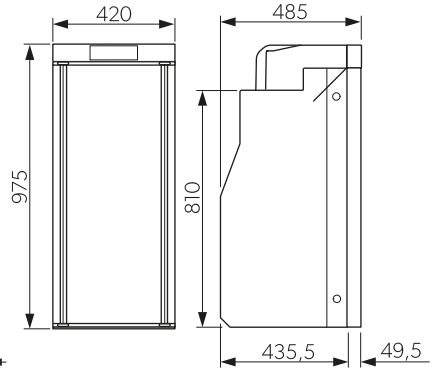


7

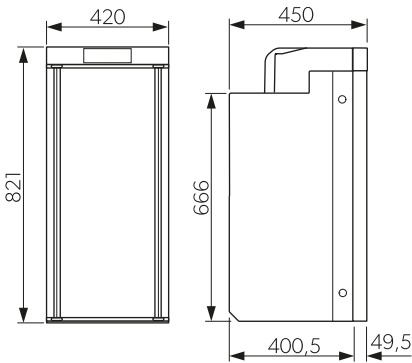
RCS 10.5(X)(S)(T)



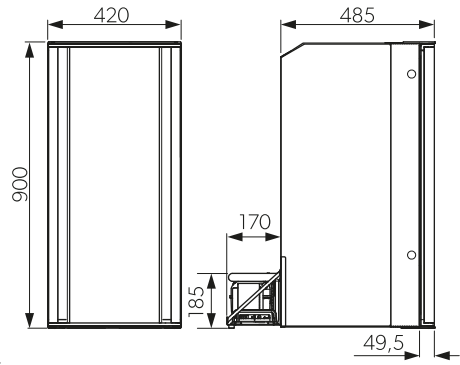
RC 10.4 (S)(T).90



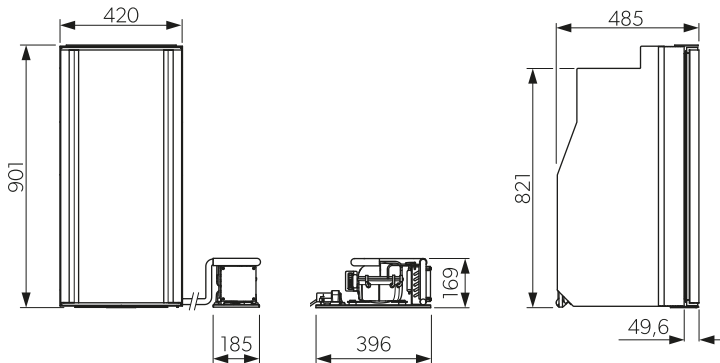
RC 10.4 (S)(T).70



RC 10.4 P.100

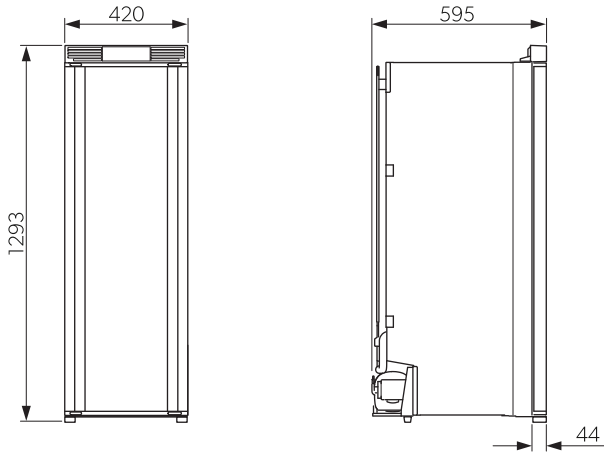


RC 10.4 M.90




8

RCL 10.4E(S)(T)






| | RC10.4(S)(T).70 | | RC10.4(S)(T).90 | |
|--------------------------------|--------------------|----------------------|-----------------|----------------------|
| Connection voltage | 12 V _{DC} | | | |
| Capacity: | | | | |
| Gross capacity | 62 L | | 86 L | |
| Refrigerator compartment | 54.5 L | | 75.5 L | |
| Frozen compartment | 7.5 L | | 7.5 L | |
| Total net capacity | 62 L | | 83 L | |
| Excluding frozen compartment: | | | | |
| Gross capacity | 69 L | | 90 L | |
| Net capacity | 64 L | | 85 L | |
| Power consumption | 42 W | | | |
| Energy consumption | 0.45 kWh/ 24 h | | | |
| PERFORMANCE mode | 37.5 Ah / 24 h | | | |
| Climate class | T | | | |
| Refrigerant | R134a | R600a | R134a | R600a |
| Refrigerant quantity | 40 g | 16 g | 43 g | 20 g |
| CO ₂ equivalent | 0.057 t | 0.000 t (0.05 kg) | 0.061 t | 0.000 t (0.06 kg) |
| Global warming potential (GWP) | 1430 | 3 | 1430 | 3 |
| Noise emission (EN60704): | | | | |
| PERFORMANCE mode | 42 dB(A) | | 42 dB(A) | |

| | RC10.4(S)(T).70 | | RC10.4(S)(T).90 |
|--------------------------------|---|----------------------|---|
| QUIET mode | 39 dB(A) | | 39 dB(A) |
| Dimensions (H x W x D) | 821 x 420 x 450 mm | | 975 x 420 x 485 mm |
| Weight | 19.5 kg | | 21.4 kg |
| Maximum weight per door shelf | 3 kg | | |
| Maximum weight per door | 7.5 kg | | |
| Inspection/certification |  | | |
| | RC10.4P.100 | | RC10.4M.90 |
| Connection voltage | 12 V ⁼⁼ | | |
| Capacity: | | | |
| Gross capacity | 94 L | | 86 L |
| Refrigerator compartment | 81 L | | 75.5 L |
| Frozen compartment | 9 L | | 7.5 L |
| Total net capacity | 90 L | | 83 L |
| Excluding frozen compartment: | | | |
| Gross capacity | 98 L | | 90 L |
| Net capacity | 93 L | | 85 L |
| Power consumption | 48 W | | 45 W |
| Energy consumption | 0.46 kWh/ 24 h | | 0.45 kWh/ 24 h |
| PERFORMANCE mode | 38 Ah / 24 h | | 37.5 Ah / 24 h |
| Climate class | T | | |
| Refrigerant | R134a | R600a | R600a |
| Refrigerant quantity | 47 g | 19 g | 20 g |
| CO ₂ equivalent | 0.067 t | 0.000 t (0.06 kg) | 0.000 t (0.06 kg) |
| Global warming potential (GWP) | 1430 | 3 | 3 |
| Noise emission (EN60704): | | | |
| PERFORMANCE mode | 42 dB(A) | | 42 dB(A) |
| QUIET mode | 39 dB(A) | | 39 dB(A) |
| Dimensions (H x W x D) | 902 x 420 x 655 mm | | 901 x 420 x 485 mm (without compressor unit) Compressor unit: 169 x 185 x 396 mm |

| | RC10.4P.100 | RC10.4M.90 |
|-------------------------------|---|-------------------|
| Weight | 21 kg | 20.4 kg |
| Maximum weight per door shelf | 3 kg | |
| Maximum weight per door | 7.5 kg | |
| Inspection/certification |  | |

| | RCD10.5(S)(T) | RCD10.5X(S)(T) |
|--------------------------------|----------------------|-----------------------|
| Connection voltage | 12 V ⁼⁼⁼ | |
| Capacity: | | |
| Gross capacity | 94 L | 86 L |
| Refrigerator compartment | 81 L | 75.5 L |
| Frozen compartment | 9 L | 7.5 L |
| Total net capacity | 90 L | 83 L |
| Excluding frozen compartment: | | |
| Gross capacity | 98 L | 90 L |
| Net capacity | 93 L | 85 L |
| Power consumption | 54 W | |
| Energy consumption | 0.7 kWh/ 24 h | 0.72 kWh/ 24 h |
| PERFORMANCE mode | 58 Ah / 24 h | 60 Ah / 24 h |
| Climate class | ST | |
| Refrigerant | R134a | |
| Refrigerant quantity | 44 g | |
| CO ₂ equivalent | 0.063 t | |
| Global warming potential (GWP) | 1430 | |
| Noise emission (EN60704): | | |
| PERFORMANCE mode | 42 dB(A) | 42 dB(A) |
| QUIET mode | 39 dB(A) | 39 dB(A) |
| Dimensions (H x W x D) | 1282 × 523 × 565 mm | 1282 × 523 × 565 mm |
| Weight | 21 kg | 20.4 kg |
| Maximum weight per door shelf | 3 kg | |
| Maximum weight per door | 7.5 kg | |

| | RCD10.5(S)(T) | RCD10.5X(S)(T) |
|--------------------------------|---|-----------------------|
| Inspection/certification |  | |
| | RCL10.4(S)(T) | RCL10.4E(S)(T) |
| Connection voltage | 12 V ⁼⁼⁼ | |
| Capacity: | | |
| Gross capacity | 133 L | 154 L |
| Refrigerator compartment | 116 L | 131 L |
| Frozen compartment | 12 L | 18 L |
| Total net capacity | 128 L | 149 L |
| Excluding frozen compartment: | | |
| Gross capacity | 139 L | 157 L |
| Net capacity | 134 L | 152 L |
| Power consumption | 54 W | 57 W |
| Energy consumption | 0.66 kWh/ 24 h | 0.54 kWh/ 24 h |
| PERFORMANCE mode | 55 Ah / 24 h | 45 Ah / 24 h |
| Climate class | ST | |
| Refrigerant | R134a | R600a |
| Refrigerant quantity | 40 g | 31 g |
| CO ₂ equivalent | 0.057 t | 0.000 t (0.09 kg) |
| Global warming potential (GWP) | 1430 | 3 |
| Noise emission (EN60704): | | |
| PERFORMANCE mode | 42 dB(A) | 42 dB(A) |
| QUIET mode | 39 dB(A) | 39 dB(A) |
| Dimensions (H x W x D) | 1293 x 420 x 595 mm | 1293 x 420 x 595 mm |
| Weight | 32 kg | 31 kg |
| Maximum weight per door shelf | 3 kg | |
| Maximum weight per door | 7.5 kg | |
| Inspection/certification |  | |
| | RCS10.5(S)(T) | RCS10.5X(S)(T) |
| Connection voltage | 12 V ⁼⁼⁼ | |

| | RCS10.5(S)(T) | RCS10.5X(S)(T) |
|--------------------------------|---|-----------------------|
| Capacity: | | |
| Gross capacity | 78 L | 92 L |
| Refrigerator compartment | 69.1 L | 80.3 L |
| Frozen compartment | 9.2 L | 12.1 L |
| Total net capacity | 78 L | 92 L |
| Excluding frozen compartment: | | |
| Gross capacity | 83 L | 98 L |
| Net capacity | 83 L | 98 L |
| Power consumption | 5.9 A | 5.5 A |
| Energy consumption | 0.42 kWh/ 24 h | 0.43 kWh/ 24 h |
| PERFORMANCE mode | 35 Ah / 24 h | 35.5 Ah / 24 h |
| Climate class | N, ST | |
| Refrigerant | R600a | R600a |
| Refrigerant quantity | 24 g | 23 g |
| CO ₂ equivalent | 0.000 t (0.07 kg) | 0.000 t (0.07 kg) |
| Global warming potential (GWP) | 3 | 3 |
| Noise emission (EN60704): | | |
| With air channel: | | |
| PERFORMANCE mode | 44 dB(A) | 44 dB(A) |
| QUIET mode | 39 dB(A) | 39 dB(A) |
| Without air channel: | | |
| PERFORMANCE mode | 42 dB(A) | 42 dB(A) |
| QUIET mode | 38 dB(A) | 38 dB(A) |
| Dimensions (H x W x D) | 821 x 523 x 555 mm | 821 x 523 x 610 mm |
| Weight | 24.5 kg | 25 kg |
| Maximum weight per door shelf | 3 kg | |
| Maximum weight per door | 7.5 kg | |
| Inspection/certification |  | |



dometic.com

**YOUR LOCAL
DEALER**

dometic.com/dealer

**YOUR LOCAL
SUPPORT**

dometic.com/contact

**YOUR LOCAL
SALES OFFICE**

dometic.com/sales-offices
