

POWER & CONTROL

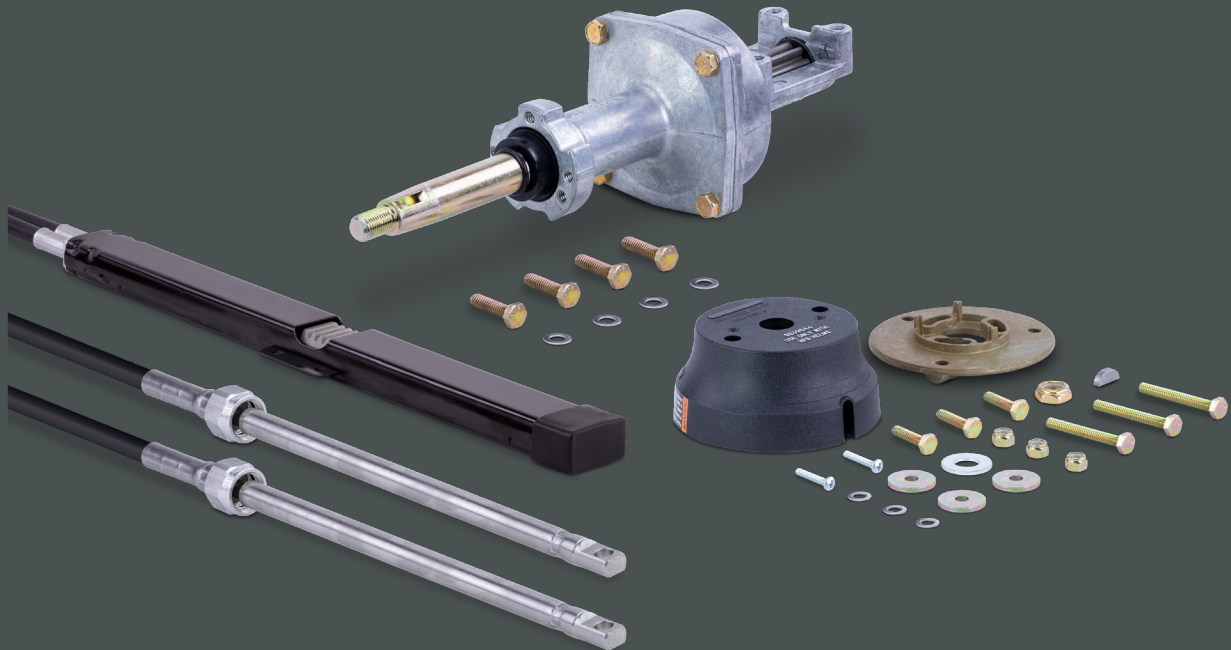
# NFB™ PRO RACK STEERING SYSTEMS

The NFB™ Pro Rack Steering is the only rack steering system for high performance boats where dual cable steering is needed to prevent engine flutter and instability.

**ADVANCED**  
COMFORT & CONTROL

**NFB™ TECHNOLOGY**  
FIGHTS AGAINST ENGINE PROP  
TORQUE

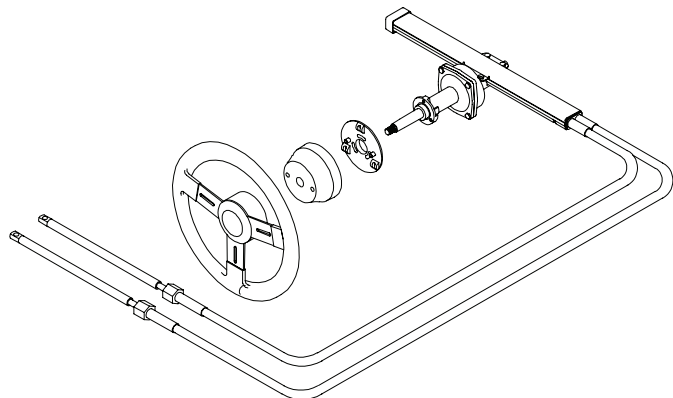
**PRECISE**  
LOCK TO LOCK FEEL



Mobile living made easy.

 **DOMETIC**

# THE MOST POPULAR RACK & PINION STEERING SYSTEM IN BOATING.



NFB™ Pro Rack Dual Cable System  
(Steering Wheel not included.)

## NFB™ Pro Rack Dual Steering System

The only Rack and Pinion steering system for the high performance boater. Dometic combines its patented No FeedBack technology with the incredible precision and control of a dual cable rack and pinion system. Now more than ever, NFB™ means performance! Dometic offers Pro Rack for high performance hulls and motors - boats which have engine flutter, experience instability or simply need that extra margin of control at the helm. Also a drop-in replacement for "The Rack" dual cable system. This system has 1 rack with 2 cables for easier installation.

## FEATURES

- Patented NFB™ (No FeedBack) helm.
- Dual cables minimizes lost motion and adds stability.
- Precise feel of 4 turns from lock-to-lock.
- Standard 3/4" round tapered steering wheel shaft.
- Stainless steel cable output ends.
- Fast, easy installation.
- Kits include: single rack, two cables, NFB™ Rack helm, 90° bezel and hardware
- Meets A.B.Y.C. standards.
- Meets N.M.M.A. certification requirements.
- Made, designed and assembled in the USA.

ORDER INFORMATION	
COMPLETE SYSTEMS	PART NO.
NFB Pro Rack Steering Kit (Dual Cable)	SS152XX
COMPONENTS	
NFB Rack Helm (single/dual)	SH5230P
Rack Dual Cable (1 Rack, 2 Cables)	SSC135XX
Rack NFB Bezel (90°)	SB39544P
OPTIONS	
NFB Rack Tilt Dash Module (single/dual) Each Kit Includes Tilt Helm & Tilt Mechanism	SHT91630
NFB Rack Tilt Helm (single/dual)	SH91630P*
Sport Tilt Mechanism	SH91800P
Sport Plus Tilt Mechanism	SH91900P
Dash Wedge Kit (20°)	SB27449P
Cable Gard (fits most tilt tubes)	SA39329P
Steering Wheel Hardware Kit (Old #2745417P)	SA27454P

\* Requires Tilt mechanism to complete tilt steering system installation. XX = Length in feet

NOTES: SS152XX Kits are sold in lengths from 12 - 16 feet.

All other lengths will require the purchase of individual components.