

# ↗ DOMETIC

# REFRIGERATION

# 8 SERIES



**RM8xxx, RMS8xxx, RML8xxx,  
RMSL8xxx**

**EN**

**Absorber refrigerator**  
Installation Manual

**ES**

**Nevera con extractor**  
Instrucciones de montaje



## Installation instructions

### Absorption refrigerator for recreation vehicles

RM 8400 RM 8401 RM 8405 RM 8500 RM 8501 RM 8505 RM 8550 RM 8551 RM 8555  
RMS 8400 RMS 8401 RMS 8405 RMS 8460 RMS 8461 RMS 8465 RMS 8500 RMS 8501  
RMS 8505 RMS 8550 RMS 8551 RMS 8555 RML 8550 RML 8551 RML 8555 RMSL 8500  
RMSL 8501 RMSL 8505



N 1-1

MBA 05/2012

**EN**

---

## Table of contents

0.0	Unpacking and Transport .....	3
1.0	General .....	4
1.1	Introduction .....	4
1.2	Guide to these operating instructions .....	4
1.3	Copyright protection .....	4
1.4	Explanation of symbols used in this manual .....	4
1.5	Warranty .....	5
1.6	Limitation of liability .....	5
1.7	Declaration of conformity .....	5
2.0	Safety instructions .....	6
2.1	Application according to regulations .....	6
2.2	User's responsibility .....	6
2.3	Working upon and checking the refrigerator .....	6
2.4	Operating the refrigerator with gas .....	6
3.0	Description of model .....	7
3.1	Model identification .....	7
3.2	Refrigerator rating plate .....	7
3.3	Technical data .....	7
4.0	Installation instructions .....	10
4.1	Installation .....	10
4.1.1	Side installation .....	10
4.1.2	Side installation with floor-roof ventilation .....	11
4.1.3	Rear installation .....	11
4.1.4	Draught-proof installation .....	12
4.2	Ventilation and air extraction of the refrigerator .....	13
4.3	Installing the ventilation system .....	14
4.4	Exhaust gas duct and installing the fume flue .....	15
4.5	Installation recess .....	16
4.5.1	Installation in the recess .....	16
4.6	Securing the refrigerator .....	17
4.7	Inserting of the decor panel .....	17
4.8	Gas installation .....	19
4.9	Electrical installation .....	21
4.9.1	Mains connection .....	21
4.9.2	Battery connection .....	21
4.9.3	Cable connections .....	22
4.9.4	D+ and solar connection (only for AES models) .....	24
4.9.5	Wiring diagrams .....	25

Dometic GmbH  
In der Steinwiese 16  
D-57074 Siegen  
[www.dometic.com](http://www.dometic.com)

© Dometic GmbH - 2011 - Subject to change without notice



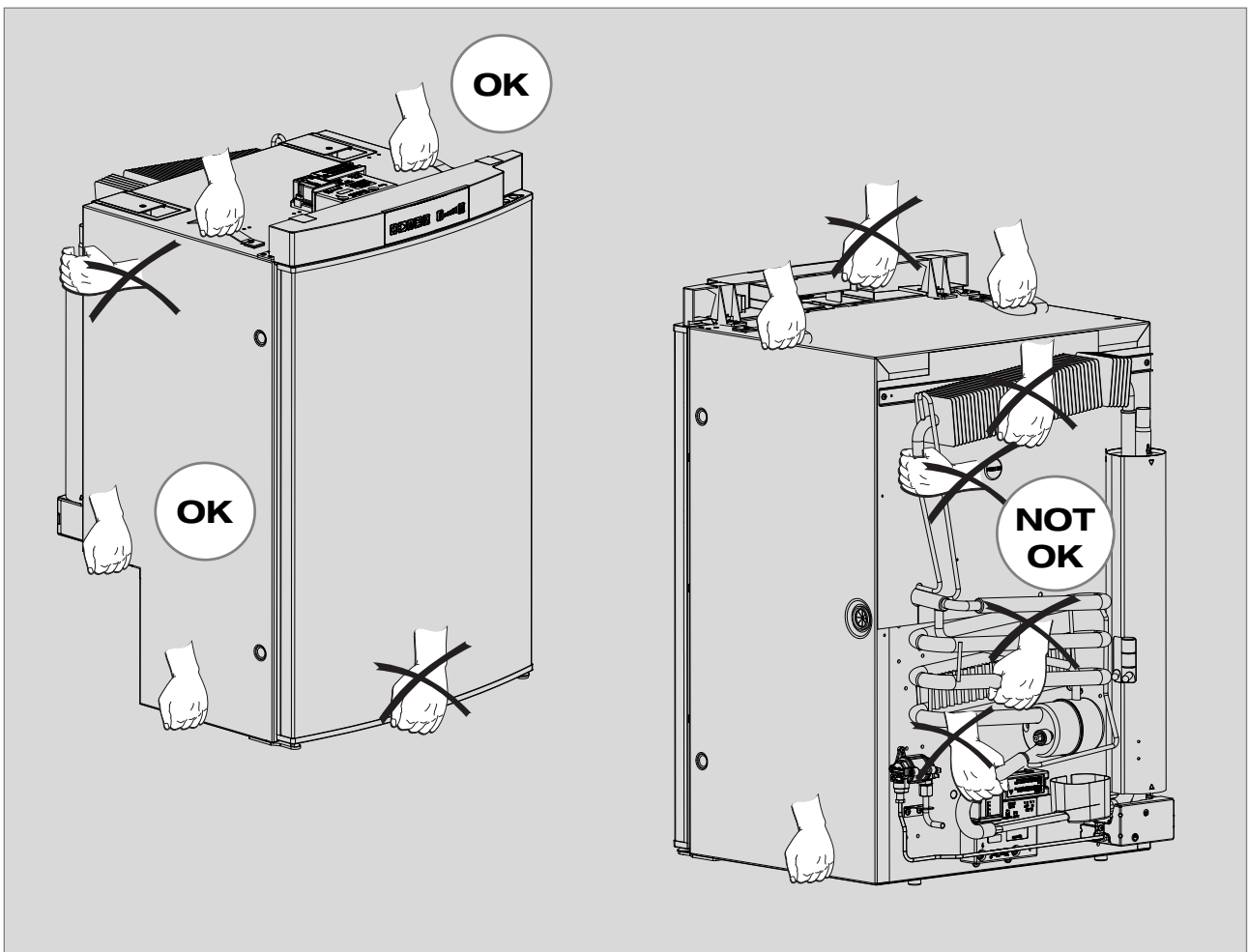
## 0.0 Unpacking and Transport

### Lifting / carrying the refrigerator

#### **CAUTION!**

Never use parts on the refrigerator other than those shown in the illustration (particularly not the cooling unit, gas lines and control panel) for carrying or lifting the refrigerator !

This prevents damage to the refrigerator.



## 1.0 General

### 1.1 Introduction

On installation of the appliance, the technical and administrative regulations of the country in which the vehicle will first be used must be adhered to. Otherwise the refrigerator must be installed as described in these instructions. In Europe, for example, gas appliances, cable routing, installation of gas cylinders, as well as approval and checking for leaks must comply with **EN 1949** for liquid gas systems in vehicles.

### 1.2 Guide to these installation instructions

**Before you start installing the refrigerator, please read the installation instructions carefully.**

These instructions provide you with the necessary guidance for the proper installation of your refrigerator. **Observe in particular the safety instructions.** Observation of the instructions and handling recommendations is important for dealing with the refrigerator safely and for protecting you from injury and the refrigerator from damage. You must understand what you have read before you carry out a task.

**Keep these instructions in a safe place close to the refrigerator so they may be referred to at any time.**

### 1.3 Copyright protection

The information, texts and illustrations in these instructions are copyright protected and are subject to industrial property rights. No part of these instructions may be reproduced, copied or utilised in any other way without written authorisation by Dometic GmbH, Siegen.

### 1.4 Explanation of symbols used in this manual

#### Warning notices

Warning notices are identified by symbols. A supplementary text gives you an explanation of the degree of danger.

**Observe these warning notices rigorously. You will thus protect yourself and other people from injury, and the appliance from damage.**



**DANGER!**

**DANGER** indicates an imminent hazardous situation which, if not avoided, could result in death or serious injury.



**WARNING!**

**WARNING** indicates a potentially hazardous situation which, if not avoided, could result in death or serious injury



**CAUTION!**

**WARNING** indicates a potentially hazardous situation which, if not avoided, could result in death or serious injury

**CAUTION!**

**CAUTION** (used without the safety alert symbol) indicates a potentially hazardous situation which, if not avoided, may result in damage to the appliance.

## Information



**INFORMATION** gives you supplementary and useful guidance when dealing with your refrigerator.

## Environmental Tips



**ENVIRONMENTAL TIPS** gives you useful guidance for saving energy and disposal of the appliance.

## 1.5 Warranty

Warranty arrangements are in accordance with EC Directive 44/1999/CE and the normal conditions applicable for the country concerned. For warranty or other maintenance, please contact our customer services department. Any damage due to improper use is not covered by the warranty. The warranty does not cover any modifications to the appliance or the use of **non-original Dometic parts**. The warranty does not apply if the installation and operating instructions are not adhered to and no liability shall be entertained.


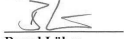
## 1.6 Limitation of liability

All information and guidance in these operating instructions were prepared after taking into consideration the applicable standards and regulations as well as the current state of the art. **Dometic** reserves the right to make changes at any time which are deemed to be in the interest of improving the product and safety.

**Dometic** will assume no liability for damage in the case of :

- non-observation of the operating instructions
- application not in accordance with the regulations or provisions
- use of non-original spare parts
- modifications and interferences to the appliance
- effect of environmental influences, such as
  - temperature fluctuations
  - humidity

## 1.7 Declaration of conformity

		
<b>DECLARATION OF CONFORMITY</b>		
according to		
LVD 2014/35/EU EMC Directive 2004/108/EC, 2014/30/EU Gas Appliance Directive 2009/142/EC  ECE R10, Rev. 4		
Type of equipment Brand Name Type family Manufacturer's (Factory) name address telephone no telefax no	Absorption Refrigerator DOMETIC C 40/110  DOMETIC GmbH In der Steinwiese 16, D-57074 Siegen INT+49 - 271 692 0 INT+49 - 271 692 304	
The following harmonized standards or technical specifications (designations) which comply with good engineering practice in safety matters in force within the EEA have been practiced:		
EN 60335-1;12 (IEC 60335-1; 5 ed., Am. 1, Am. 2), EN 60335-2-24;10 (IEC 60335-2-24; 7 ed., Am. 1.) EN 61000-3-2;06, A1, A2      EN 61000-3-3;08 EN 55014-1;06, A1, A2      EN 55014-2;97, A1, A2 EN 732;98      EN 60335-2-102;06 EN 30-1-1;10 A1 (Tectower-Models) EN 30-2-1; 98 A1, A2 (Tectower-Models) EN 50581;2010		
The equipment conforms completely with the above stated harmonized standards or technical specifications.		
By signing this document, the undersigned declares as manufacturer, or the manufacturer's authorized representative established within the EEA, that the equipment in question complies with the requirements stated above.		
Date  2017.01.09	Signature  Bernd Löher	Position  General Manager

## 2.0 Safety instructions

### 2.1 Application according to regulations

This refrigerator is designed for installation in recreation vehicles such as caravans or motorhomes. The appliance has been type-approval tested for this application in accordance with the EC Gas Directive.

The refrigerator is to be used solely for storing foodstuffs.

#### **CAUTION!**

The refrigerator must not be exposed to rain.

### 2.2 User's responsibility

Anyone operating the refrigerator must be familiar with the safe handling and understand the advice in these operating instructions.

### 2.3 Working upon and checking the refrigerator



#### **WARNING!**

Work on gas equipment, exhaust system and electrical facilities must be carried out by authorised personnel only. Substantial damage to property and/or injury to persons can arise through unprofessional procedures.



#### **DANGER!**



Never use an unshielded flame to check gas bearing parts and pipes for leakage!

There is a danger of fire or explosion.



#### **WARNING!**

Never open the absorber cooling unit! It is under high pressure.

There is a danger of injury!

### 2.4 Operating the refrigerator with gas

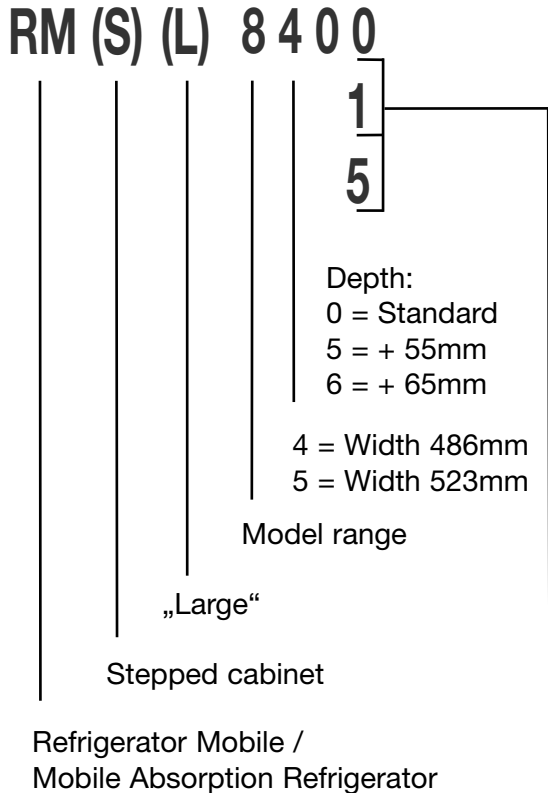
It is imperative that the operating pressure corresponds to the data specified on the rating plate of the appliance. Compare the operating pressure of the rating plate with the data specified on the pressure reducing valve of the liquid gas cylinder.



## 3.0 Description of model

### 3.1 Model identification

Example :



**0**  
manual energy selection + manual ignition  
(**battery igniter**)

**1**  
manual energy selection, automatic ignition  
(**MES**)

**5**  
automatic and manual energy selection,  
automatic ignition (**AES**)

### 3.2 Refrigerator rating plate

The rating plate is to be found on the inside of the refrigerator. It contains all important details of the refrigerator. You can read off from this the model identification, the product number and the serial number. You will need these details whenever you contact the customer service centre or when ordering spare parts.

DOMETIC			
MOD. NO. RM 8501 <b>1</b>	PROD. NO. 00921087908 <b>2</b>	LC 00	SER. NO. 12600008 <b>3</b>
TYPE C 40/110	CLIMATE CLASS SN	SKU 9105703948	
BRUTTOINHALT TOTAL CAP. VOLUME BRUT	100 l 106 l	VERDAMPFERFACH FREEZER COMP. VOLUME COMPT BT	g l 0 l
NUTZINHALT USEFUL CAP. VOLUME NET	96 l 102 l		
~ 230-240V / 125 W = 12	120 W	LPG	Qn: 0,252 kW (MS) m: 18,3 g/h
<b>4</b>	<b>5</b>	13 + 28-30/37 13B/P 28-30 13P 37 mbar	
CE 0063 BL3214		G30, G31	p = 30/37 mbar
ABSORBER	NH <sub>3</sub> = 115 g	Na <sub>2</sub> CrO <sub>4</sub> = 7,0 g	p max = 35 bar
11 CE 0085	031654	AP	Z 660
MADE IN GERMANY		00085136887	

Example

Fig. 1

- 1** Model number
- 2** Product number
- 3** Serial number
- 4** Electrical rating details
- 5** Gas pressure



Dometic refrigerators are equipped for a connection pressure of **30 mbar**. For connection to a 50 mbar gas system, use **Truma VDR 50/30 medium pressure controller**.

### 3.3 Technical data

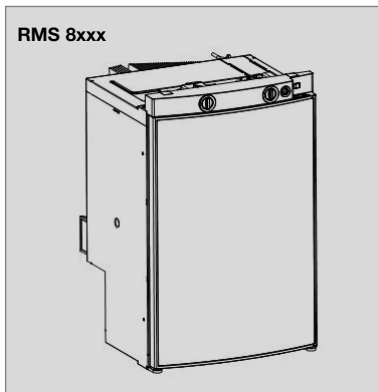


Fig. 2

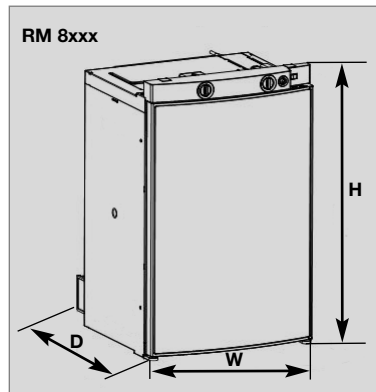


Fig. 3



Fig. 4

#### Curved door models

Model	Dimensions H x W x D (mm) Depth incl. door	Gross capacity		Rating details mains/battery	Consumption * electricity/gas over 24hrs	Net weight	Ignition	
		with freezer compartment	without				Piezo	Automat
RMS 8400	821x486x568	80 / 8 lit.	85 lit.	125 W / 120 W	ca.2,5 kWh / 270 g	25 kg	•	
RMS 8401	821x486x568	80 / 8 lit.	85 lit.	125 W / 120 W	ca.2,5 kWh / 270 g	25 kg		•
RMS 8405	821x486x568	80 / 8 lit.	85 lit.	125 W / 120 W	ca.2,5 kWh / 270 g	25 kg		•
RM 8400	821x486x568	90 / 8 lit.	95 lit.	135 W / 130 W	ca.2,4 kWh / 270 g	27 kg	•	
RM 8401	821x486x568	90 / 8 lit.	95 lit.	135 W / 130 W	ca.2,4 kWh / 270 g	27 kg		•
RM 8405	821x486x568	90 / 8 lit.	95 lit.	135 W / 130 W	ca.2,4 kWh / 270 g	27 kg		•
RMS 8460	821x486x633	90 / 11 lit.	96 lit.	125 W / 120 W	ca.2,5 kWh / 270 g	26 kg	•	
RMS 8461	821x486x633	90 / 11 lit.	96 lit.	125 W / 120 W	ca.2,5 kWh / 270 g	26 kg		•
RMS 8465	821x486x633	90 / 11 lit.	96 lit.	125 W / 120 W	ca.2,5 kWh / 270 g	26 kg		•
RMS 8500	821x523x568	90 / 9 lit.	96 lit.	125 W / 120 W	ca.2,5 kWh / 270 g	26 kg	•	
RMS 8501	821x523x568	90 / 9 lit.	96 lit.	125 W / 120 W	ca.2,5 kWh / 270 g	26 kg		•
RMS 8505	821x523x568	90 / 9 lit.	96 lit.	125 W / 120 W	ca.2,5 kWh / 270 g	26 kg		•
RMS 8550	821x523x623	103 / 12 lit.	110 lit.	125 W / 120 W	ca.2,6 kWh / 270 g	27 kg	•	
RMS 8551	821x523x623	103 / 12 lit.	110 lit.	125 W / 120 W	ca.2,6 kWh / 270 g	27 kg		•
RMS 8555	821x523x623	103 / 12 lit.	110 lit.	125 W / 120 W	ca.2,6 kWh / 270 g	27 kg		•
RM 8500	821x523x568	100 / 9 lit.	106 lit.	135 W / 130 W	ca.2,4 kWh / 270 g	28 kg	•	
RM 8501	821x523x568	100 / 9 lit.	106 lit.	135 W / 130 W	ca.2,4 kWh / 270 g	28 kg		•
RM 8505	821x523x568	100 / 9 lit.	106 lit.	135 W / 130 W	ca.2,4 kWh / 270 g	28 kg		•
RM 8550	821x523x623	115 / 12 lit.	122 lit.	135 W / 130 W	ca.2,6 kWh / 270 g	30 kg	•	
RM 8551	821x523x623	115 / 12 lit.	122 lit.	135 W / 130 W	ca.2,6 kWh / 270 g	30 kg		•
RM 8555	821x523x623	115 / 12 lit.	122 lit.	135 W / 130 W	ca.2,6 kWh / 270 g	30 kg		•
RML 8550	1245x523x625	179 / 33 lit.	189 lit.	190 W / 170 W	ca.3,2 kWh / 380 g	45 kg	•	
RML 8551	1245x523x625	179 / 33 lit.	189 lit.	190 W / 170 W	ca.3,2 kWh / 380 g	45 kg		•
RML 8555	1245x523x625	179 / 33 lit.	189 lit.	190 W / 170 W	ca.3,2 kWh / 380 g	45 kg		•
RMSL 8500	1245x523x568	145 / 28 lit.	155 lit.	190 W / 170 W	ca.3,2 kWh / 380 g	40 kg	•	
RMSL 8501	1245x523x568	145 / 28 lit.	155 lit.	190 W / 170 W	ca.3,2 kWh / 380 g	40 kg		•
RMSL 8505	1245x523x568	145 / 28 lit.	155 lit.	190 W / 170 W	ca.3,2 kWh / 380 g	40 kg		•

## Flat door models

Model	Dimensions H x W x D (mm) Depth incl. door	Gross capacity with freezer compartment	without	Rating details mains/battery	Consumption * electricity/gas over 24hrs	Net weight	Ignition Piezo	Automat
RMS 8500	821x523x541	86 / 9 lit.	92 lit.	125 W / 120 W	ca.2,5 KWh / 270 g	26 kg	•	
RMS 8501	821x523x541	86 / 9 lit.	92 lit.	125 W / 120 W	ca.2,5 KWh / 270 g	26 kg		•
RMS 8505	821x523x541	86 / 9 lit.	92 lit.	125 W / 120 W	ca.2,5 KWh / 270 g	26 kg		•
RMS 8550	821x523x596	99 /12 lit.	106 lit.	125 W / 120 W	ca.2,6 KWh / 270 g	27 kg	•	
RMS 8551	821x523x596	99 /12 lit.	106 lit.	125 W / 120 W	ca.2,6 KWh / 270 g	27 kg		•
RMS 8555	821x523x569	99 /12 lit.	106 lit.	125 W / 120 W	ca.2,6 KWh / 270 g	27 kg		•
RM 8500	821x523x541	96 / 9 lit.	102 lit.	135 W / 130 W	ca.2,4 KWh / 270 g	28 kg	•	
RM 8501	821x523x541	96 / 9 lit.	102 lit.	135 W / 130 W	ca.2,4 KWh / 270 g	28 kg		•
RM 8505	821x523x541	96 / 9 lit.	102 lit.	135 W / 130 W	ca.2,4 KWh / 270 g	28 kg		•
RM 8550	821x523x596	111 /12 lit.	118 lit.	135 W / 130 W	ca.2,6 KWh / 270 g	30 kg	•	
RM 8551	821x523x596	111 /12 lit.	118 lit.	135 W / 130 W	ca.2,6 KWh / 270 g	30 kg		•
RM 8555	821x523x596	111 /12 lit.	118 lit.	135 W / 130 W	ca.2,6 KWh / 270 g	30 kg		•

Subject to technical changes.

\*Average consumption measured at an average ambient temperature of 25°C in pursuance of ISO Standard.

## 4.0 Installation instructions

### 4.1 Installation



**WARNING!**

The appliance may be installed by authorised personnel only!

The unit and the exhaust duct system must be in principle installed so that it is accessible for maintenance work, can be easily installed and dismantled and removed from the vehicle without great effort.

Installation and connection of the appliance must comply with the latest technical regulations, as follows:

- The electrical installation must comply with national and local regulations.
- The gas installation must comply with national and local regulations.
- European Standard EN 1949
- European Standards EN 60335-1, EN 60335-2-24, EN 1648-1, EN 1648-2
- The appliance must be installed in such a way that it is shielded from excessive heat radiation.

Excessive heat impairs performance and raises the energy consumption of the refrigerator!



Deviations from these installation instructions without prior notification of Dometic result in Dometic GmbH's warranty obligations becoming void!

#### 4.1.1 Side installation

If the appliance is installed on the same side of the vehicle as the entrance door, it is desirable that the door does not cover the refrigerator's vents. (Fig. 5, Clearance door/ventilation grille at least 25 mm). Otherwise ventilation could be impaired which causes a loss in cooling performance. Awnings are often placed at the door side of a caravan. This complicates evacuation of combustion gases and heat through the ventilation grilles (loss in cooling performance)!

(Fig.5) The air vent grilles are blocked. There must be a distance between the door and the air vents of at least 25 mm!

If the door/grille distance is between 25 mm and 45 mm, we recommend installing a **Dometic ventilation kit (item no. 241 2985 - 00/0)** to achieve an optimal cooling performance in high ambient temperatures.

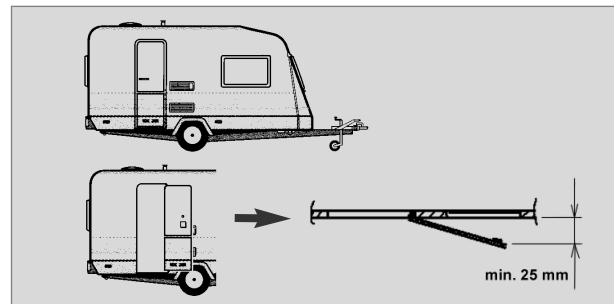


Fig. 5

(Fig. 6) The air vent grilles offer an unobstructed dissipation of heat and exhaust gas even when the door is opened.

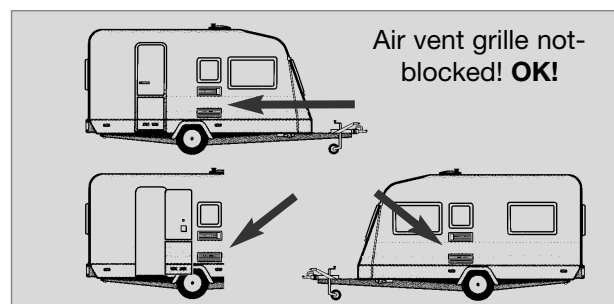


Fig. 6

#### 4.1.2 Side installation with floor-roof ventilation

Proper ventilation of the refrigerator can also be achieved by lower air intake aperture in the floor and upper roof exhaust vent (see Fig. 7). A flue has to be provided between the top edge of the refrigerator and the roof ventilation which directs the hot air and the exhausts straight to the air vent in the roof.

The floor opening must have a cross section of at least **250 cm<sup>2</sup>**. Protect the opening, e.g. with a baffle plate and a net, to prevent dirt from entering the gas burner. Compared to side ventilation, this ventilation method can allow more dirt to enter the rear area of the refrigerator, which makes regular maintenance of the gas burner, at least once a year, necessary.

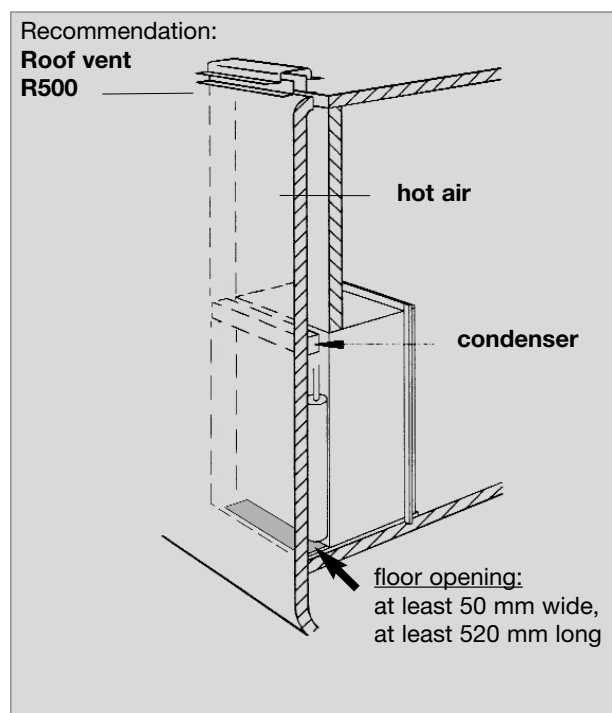


Fig. 7



**With this installation method, regular maintenance of the gas burner is only possible once the device has been dismantled. It is imperative that the refrigerator be installed in a way to allow easy removal.**

**We therefore recommend providing an adequate access opening (service flap) for ready serviceability from the outside.**

#### 4.1.3 Rear installation

Rear installation often causes an unfavourable installation arrangement, as ideal ventilation cannot always be assured (e.g. the lower ventilation grille is covered by the bumper or the rear lights of the vehicle!) (Fig. 8). The maximum cooling performance of the aggregate is actually not available.



Fig. 8



Fig. 9

Another unfavourable method of rear installation is to install the air intake and exhaust grilles (Fig. 10) at the side wall of the recreation vehicle. The air-heat recirculation is very restricted which means that heat exchangers (condenser, absorber) cannot be adequately cooled. The optional method of an additional air vent grille installed in the floor also exhibits an insufficient air flow duct.

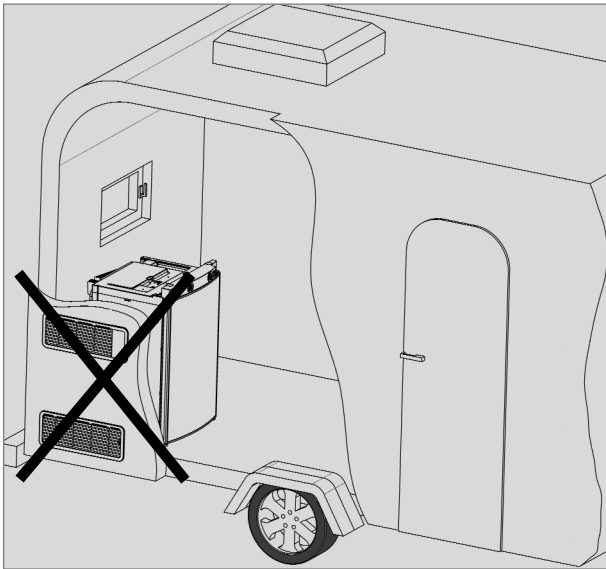


Fig. 10

**CAUTION!**

The maximum cooling performance is not available! Do not apply this installation method, as it does not provide proper ventilation! Please refer to the description in section 4.2 .

**4.1.4 Draught-proof installation**

Refrigerators in motorhomes, caravans or other vehicles must be installed in a draught-proof manner (EN 1949). This means that the combustion air for the burner is not taken from the living space and that exhaust fumes are prevented from entering the living space.

Adequate sealing between the back of the refrigerator and the vehicle interior has to be provided.

**Dometic** strongly recommends carrying this out using a flexible seal (in order to simplify later removal and installation of the unit for maintenance purposes).



**WARNING!**

By no means use durable sealing compounds, fitting foam or similar material to realise draught-proof installation of the refrigerator! Do NOT use any easily inflammable materials for sealing (in particular silicon sealing compound or similar). Risk of fire! The device manufacturer's product liability and warranty shall lapse if such materials are used.

**Proposal 1**

The lip seals (1) are installed at the bottom and on each side in the installation recess (Fig. 11-13). A heat deflector plate (2) is installed in the installation recess above the refrigerator. **Affix the this plate to the caravan wall, do NOT attach to the refrigerator !**

Attach the deflector plate so that the heated air escapes through the top ventilation grill into the open air and no heat build-up can be produced.

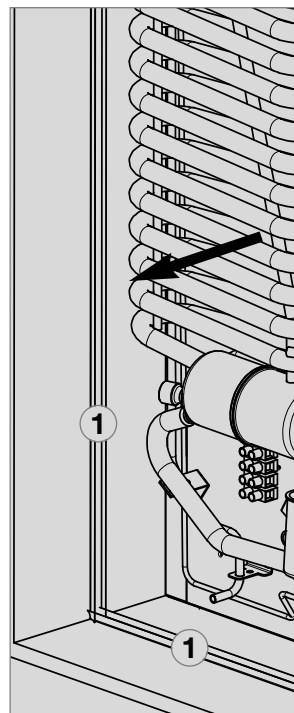


Fig. 11

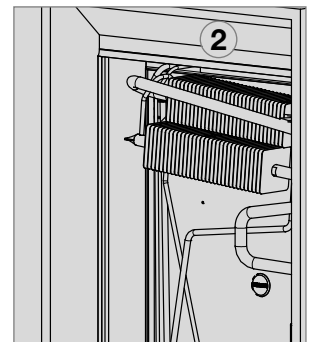


Fig. 12

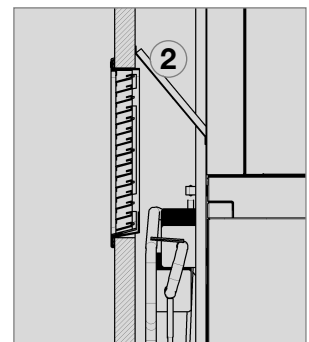


Fig. 13

The refrigerator is later pushed into the installation recess from the front. Ensure that the seals abut the case evenly.

This installation option facilitates the removal and installation of the appliance for servicing.

**Proposal 2**

Fasten the sealing lips to a stop bar on the rear side (1), e.g. by gluing.

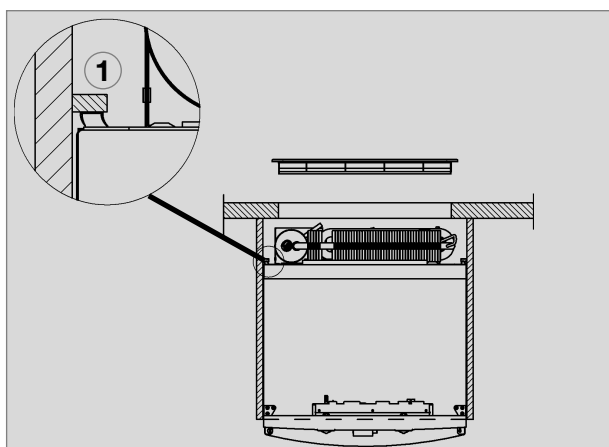


Fig. 14

The cavity in-between the outer vehicle wall and refrigerator is completely isolated from the vehicle interior. Intrusion of exhaust fumes into the living space is prevented. Fumes will escape through the upper ventilation grille to the outside.

The draught-proof installation does not require a special exhaust gas duct to be used. This installation method allows the use of the same air vent grille **LS200** at the top and at the bottom without flue duct.

If a flue duct is nevertheless desirable, incorporate the **LS100** ventilation system with flue duct into the upper air vent opening. (For installation, please refer to "4.4")



**Deviations require the consent of the manufacturer!**

**4.2 Ventilation and air extraction of the refrigerator**

A correct installation of the refrigerator is essential for its correct operation, as due to physical reasons heat builds up at the back of the appliance which must be allowed to escape into the open air.



**In the event of high ambient temperatures, full performance of the cooling unit can only be achieved by means of adequate ventilation and extraction.**

Ventilation is provided for the unit by means of two apertures in the caravan wall. Fresh air enters at the bottom, extracts the heat and exits through the upper vent grille (chimney effect).

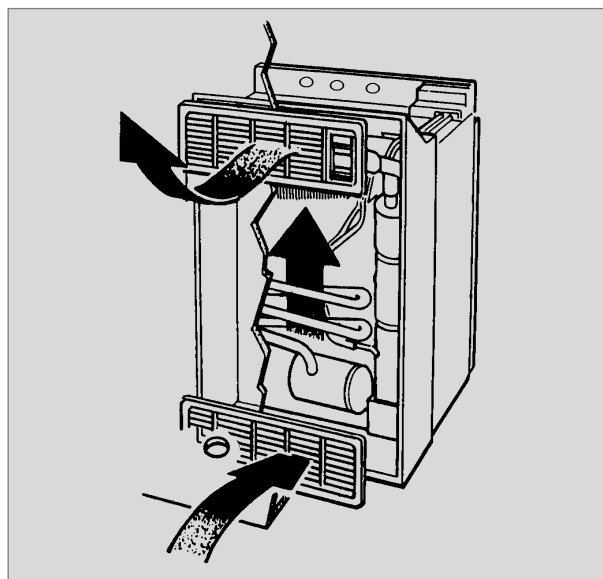


Fig. 15

**The upper ventilation grille should be positioned as high as possible above the condenser (1, , Fig.16). Install the lower ventilation grille at floor level of the recess (Fig. 16,17), allowing unburnt gas (heavier than air) to escape directly into the open air.**



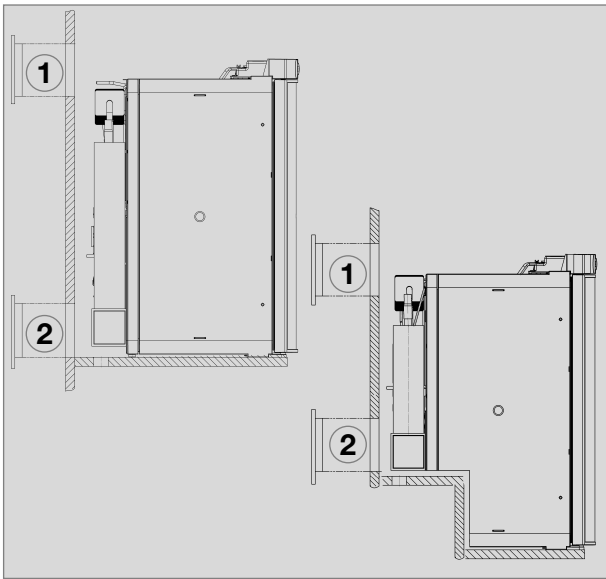


Fig. 16

- ① Ventilation grille LS 100 or LS 200
- ② Ventilation grille LS 200

The gas burner must be located above the edge (1, Fig. 17).

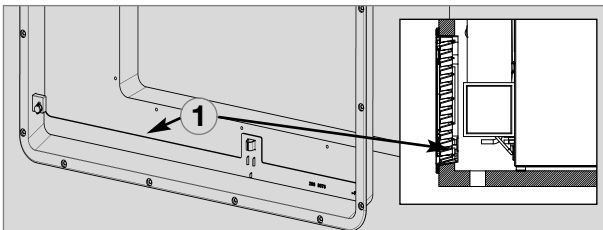


Fig. 17

Should this arrangement prove impossible, a ventilation aperture must be introduced by the manufacturer of the vehicle into the recess floor in order to avoid the accumulation of unburnt gas on the floor.

The ventilation grilles must have an open cross-section of at least 250cm<sup>2</sup>. This is achieved by using the Dometic LS100/LS 200 absorber ventilation and air extraction system which has been tested and approved for this purpose.

### 4.3 Installing the ventilation system

The **LS 100** upper vent system kit consists of the mounting frame (**RS 1640**), the air grille including flue gas duct (**AS 1620**) and the winter cover (**WA120**). The **LS 200** lower vent system kit consists of the mounting frame (**RS 1650**), the air grille (**AS1 630**, but without flue gas duct) and the winter cover (**WA130**).

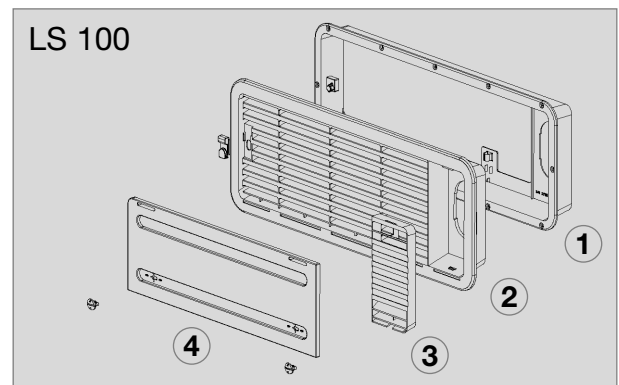


Fig. 18

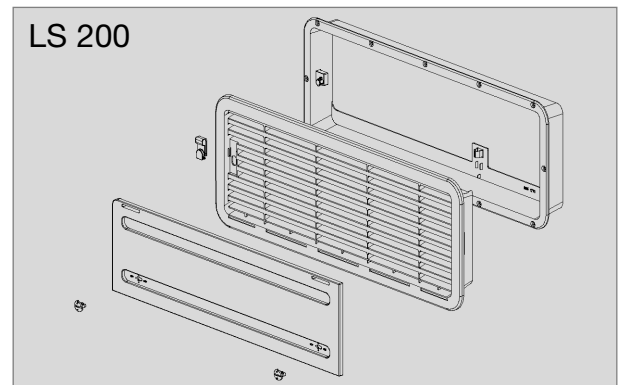


Fig. 19



Correct mounting of the lower ventilation grille facilitates access to the connections and functional parts during maintenance.

#### CAUTION!

An installation other than described will reduce the cooling capacity and jeopardise the manufacturer's warranty/product liability.



To install the ventilation grilles, cut two rectangles (451 mm x 156 mm) in the outer wall of the vehicle (for position of the cuts, see point 4.2).

**1**

Seal the mounting frame making it waterproof (does not apply for mounting frames with integral seal).

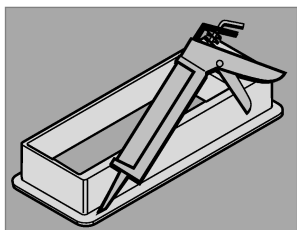


Fig. 20

**2**

Insert frame and screw into position

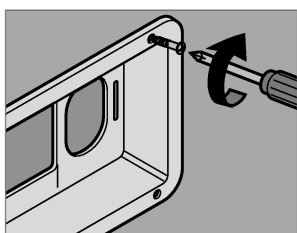


Fig. 21

**3**

Insert and lock ventilation grille.

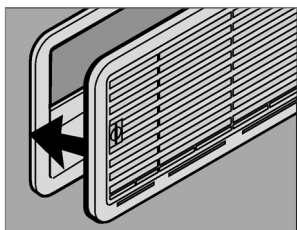


Fig. 22

**4**

Clip the insert for flue gas duct in position (only for L100 upper ventilation system kit).

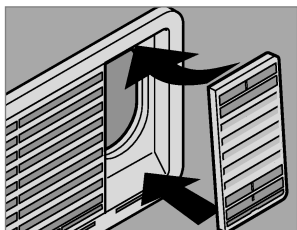


Fig. 23

**5**

Insert winter cover.

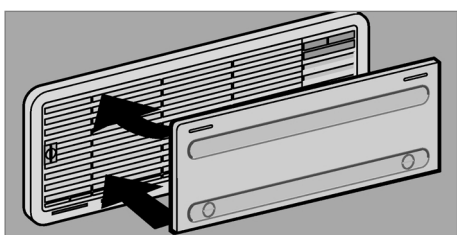


Fig. 24

## 4.4 Exhaust gas duct and installing the fume flue

The exhaust gas duct system must be made in such a manner as to achieve a complete extraction of combustion products to the outside of living space. The duct system must slope in an upward direction in order to avoid a build-up of condensate. The type of exhaust gas duct shown in Fig. 25 allows the installation of the winter cover next to (10) (Fig. 25).

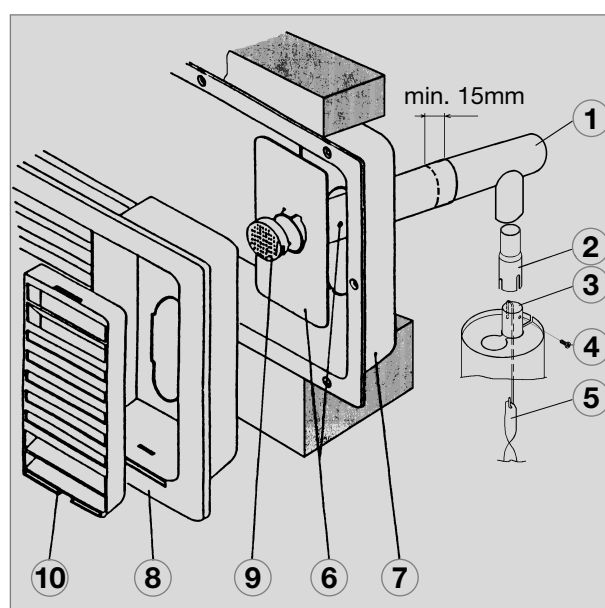


Fig. 25

### Installing the standard fume flue

1. Connect T-piece (1) to adaptor (2) or flue pipe (3) as required and affix with screw (4). Ensure that heat baffle (5) is lodged in the correct position.

2. Insert flue pipe with cover plate (6) through the appropriate aperture in the upper frame (7) and connect to T-piece (1). If necessary, shorten flue pipe (6) to the required length.

3. Insert and lock ventilation grill LS 100 (8) in the mounting frame (7).

4. Put cap (9) on flue pipe (6).

5. Insert extractor insert (10) into ventilation grille (8).

## 4.5 Installation recess

The refrigerator must be installed draught-proof in a recess (also refer to Section "4.1.4"). The measurements of the recess are stated in the table below. **Step (1)** (Fig. 26) is only required for cabinets with a step. The floor of the recess must be level, allowing the appliance to be pushed easily into its correct position. The floor must be substantial enough to bear the weight of the appliance.

### 4.5.1 Installation in the recess

Push the appliance far enough into the recess until the front edge of the refrigerator casing is aligned with the front of the recess. Allow a **gap of 15-20 mm** between the back wall of the recess and the refrigeration unit.

**Ensure that the refrigerator is installed level in the recess.**

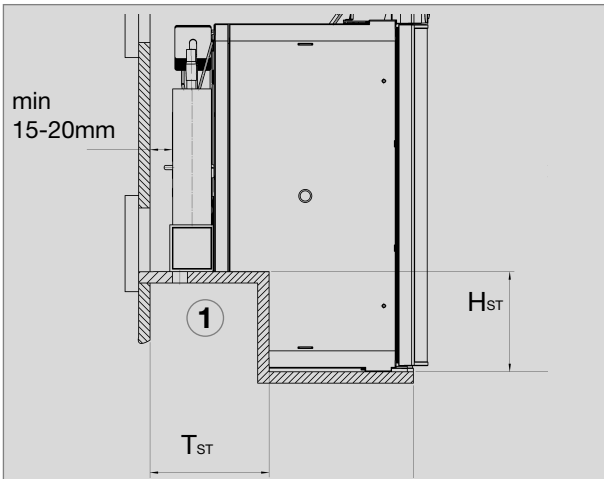


Fig. 26

Model	Height H <sub>ST</sub>	Depth T <sub>ST</sub>
RMS 8400	220 mm	235 mm
RMS 8401	220 mm	235 mm
RMS 8405	220 mm	235 mm
RMS 8460	220 mm	235 mm
RMS 8461	220 mm	235 mm
RMS 8465	220 mm	235 mm
RMS 8500	220 mm	235 mm
RMS 8501	220 mm	235 mm
RMS 8505	220 mm	235 mm
RMS 8550	220 mm	235 mm
RMS 8551	220 mm	235 mm
RMS 8555	220 mm	235 mm
RMSL 8550	220 mm	235 mm
RMSL 8551	220 mm	235 mm
RMSL 8555	220 mm	235 mm

## 4.6 Securing the refrigerator

In the sidewalls of the refrigerator, there are four plastic sleeves for securing the refrigerator. The sidewalls or strips attached for securing the refrigerator must be prepared to hold the screws firmly in place even when under increased load (while the vehicle is moving). Fastening screws and caps are supplied with the refrigerator

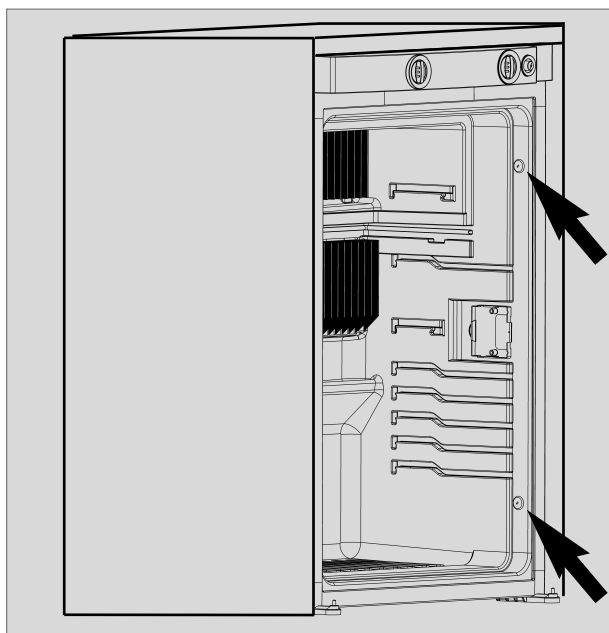


Fig. 27

### CAUTION!

Always insert screws through the sleeves provided as otherwise components laid in foam, such as cables etc., could be damaged.

After the refrigerator is put in its final place, secure the screws into the wall of the recess. The screws must penetrate the casing of the refrigerator.

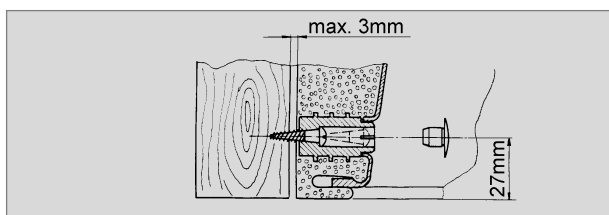


Fig. 28

## 4.7 Inserting the decor panel

### Model RM 8xxx, RMS 8xxx

- Remove the lateral ledge (1) the door (ledge is attached, not screwed).
- Shift decor panel (2) away from the door and insert the new decor panel. Re-attach ledge (1).

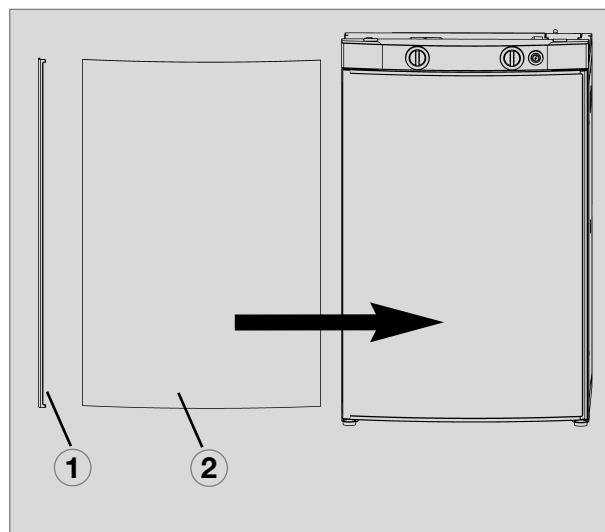


Fig. 29

### Decor panel dimensions :

**Casing width** 486 mm

Height	Width	Thickness
743 +/- 0.5 mm	472 +/- 0.5 mm	max. 2.2 mm

**Casing width** 523 mm

Height	Width	Thickness
743 +/- 0.5 mm	510.5 +/- 0.5 mm	max. 2.2 mm

**Model RM 8xxx, RMS 84xx**

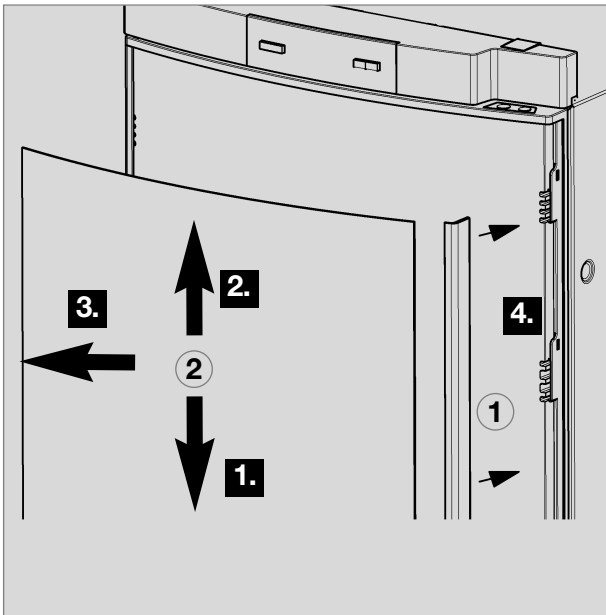


Fig. 30

**CAUTION!**

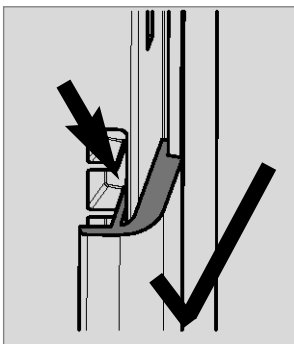


Fig. 31

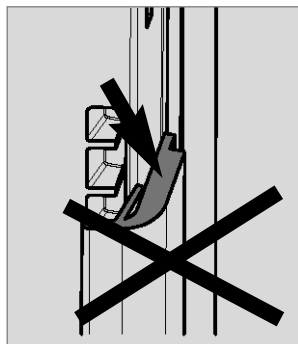


Fig. 32

**Model RMx(L) 8xxx, frameless decor panel**

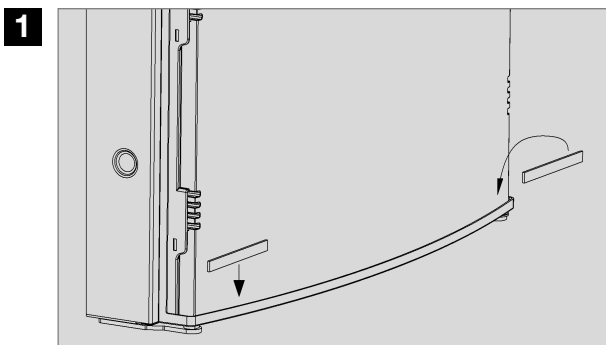


Fig. 33

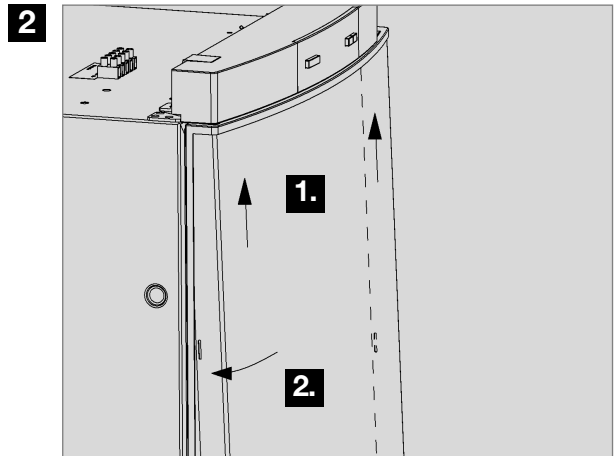


Fig. 34

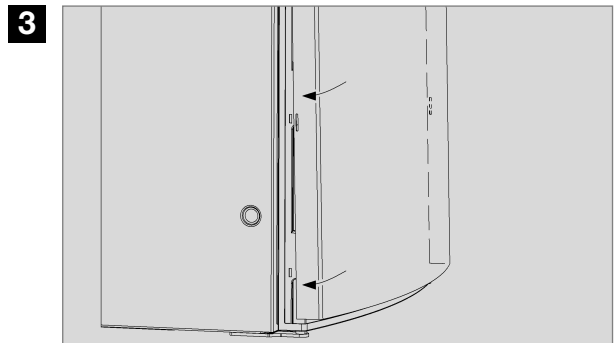


Fig. 35

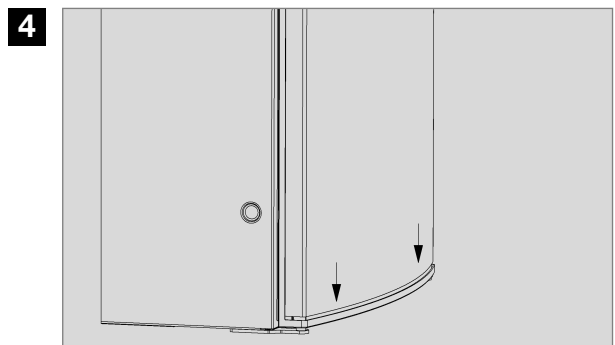


Fig. 36

**Decor panel dimensions RML 8xxx :**

**Casing width** 523 mm

**Height**                      **Width**                      **Thickness**

1169,5 +/-1 mm    507,5 +/-1 mm    max. 1.7 mm

## 4.8 Gas installation



### WARNING!

The gas connection shall be carried out by specialised personnel\* only.

\* Specialised personnel are accredited experts who are able, by virtue of their training and knowledge, to vouch for the correct installation and implementation of the leakage test.

- Observe the regulations stated in section 2.1 .
- This refrigerator is provided for installation within liquid gas equipment in compliance with EN1949 and must be run exclusively on liquid gas (propane, butane) (no natural gas, town gas).
- A fixed, pre-set pressure regulator complying with EN 12864 must be connected to the liquid gas cylinder.
- The pressure regulator must concur with the operating pressure specified on the rating plate of the appliance. The operating pressure corresponds to the standard pressure of the country of specification (EN 1949, EN 732).
- Only one connection pressure is permissible for any one vehicle! A plate showing the permanent, clearly legible notice must be displayed in full view at the point where the gas cylinder is installed.
- The gas connection to the appliance must be installed securely and free of stress using pipe connectors and must be securely connected to the vehicle (a hose connection is not permissible) (EN 1949).
- The gas connection to the appliance is effected by means of (Ermeto-) olive type fitting L8, DIN 2353-ST, complying with EN 1949 ( s. figure 37, 38).
- After professional installation, a leakage test as well as a flame test have to be carried out by qualified personnel\* in

conformity with EN 1949. A test certificate has to be issued.

- The refrigerator must be equipped with a shut-off valve allowing to cut the supply line. Such a shut-off device must be readily accessible to the user.

### Connection pressure and gas categories

The refrigerators are operated using the gases and inlet pressures stated below. The pressure reducing valves between the gas cylinder and refrigerator to be used must comply with the categories stated in the following table.

Category	Pressure in mbar	GAS
I3B / P(30)	30	Butane
	30	Propane
I3+ (28-30/37)	28-30	Butane
	37	Propane



Dometic refrigerators are equipped for a connection pressure of **30 mbar**. For connection to a 50 mbar gas system, use **Truma VDR 50/30 medium pressure controller**.



When using **LPG gas**, please consider that the burner needs cleaning at shorter intervals due to the gas combustion method (2 - 3 times per year recommended).

**Gas connection RM(S) 8xx0 models**

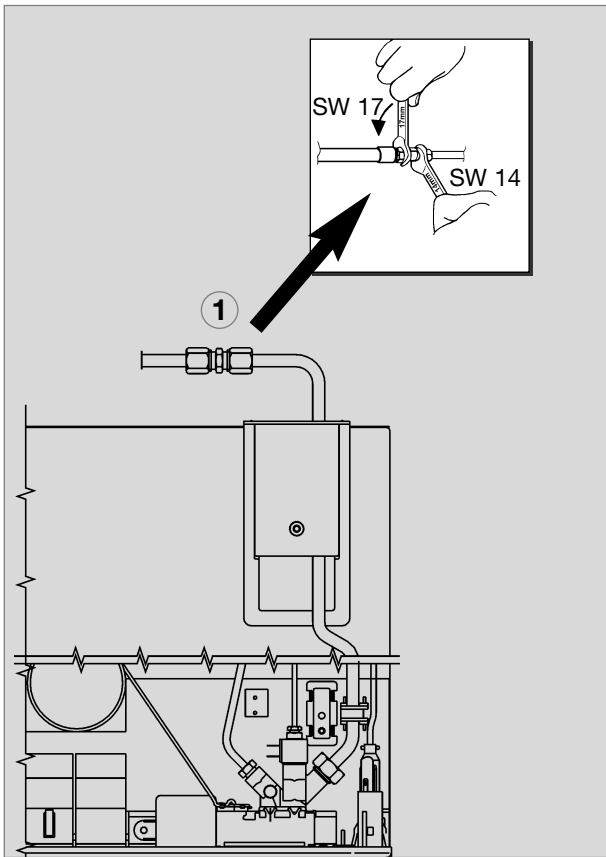


Fig. 37

- 1 (Ermeto-) Olive type fitting L8, (EN ISO 8434)

**Gas connection  
RM(S) 8xx1, RM(S) 8xx5 models**

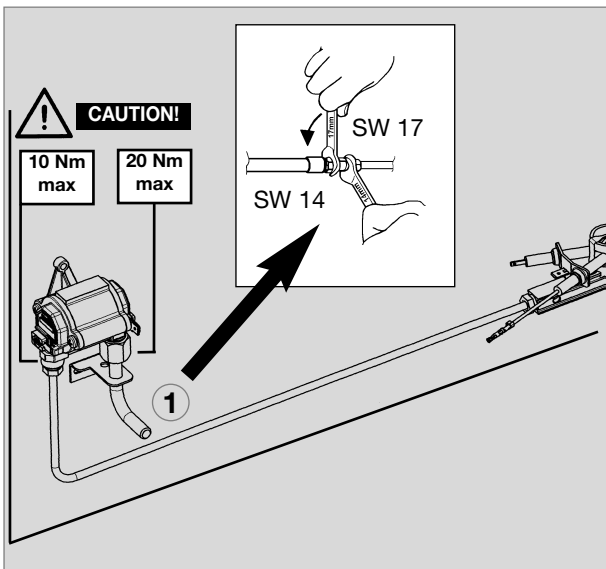


Fig. 38

## 4.9 Electrical installation



### WARNING!

The electrical installation shall be carried out by qualified personnel\* only.

\* Specialised personnel are accredited experts who are able, by virtue of their training and knowledge, to vouch for the correct installation.

- The electrical installation must be in accordance with the national regulations of the respective countries.
- The connection cables must be routed in a way to prevent contact with hot components of the unit/burner or with sharp edges.
- Changes to the internal electrical installation or the connection of other electrical components (e.g. external fan) to the internal wiring of the appliance will render the e1/ CE admittance as well as any claims from warranty and product liability void!

### 4.9.1 Mains connection

- The power should be supplied by a properly grounded socket outlet or a grounded non-detachable connection. Where a socket outlet with mains supply is used, the outlet must be freely accessible.
- Should the connection cable be damaged, have it replaced by Dometic Customer Services or by qualified personnel to avoid hazards.

We recommend leading the power supply via a board-side fuse protection.

### 4.9.2 Battery connection

The machine's 12V connection cable is connected (observing correct polarity) to a terminal strip (RMx 8xx0) or plug-in-contacts (RMx 8xx1, 8xx5). The wiring for the 12V heating element (refer to A, B wiring diagram connections) must be direct and by the shortest possible route to the battery or electric generator.

**To protect the on-board 12 V circuit provide the following fuses:**

- RM8xxx, RMS8xxx: 15 A
- RML855x, RMSL855x: 20 A

In order to ensure that the 12V power supply is shut off when stopping the engine (otherwise the battery would discharge within a few hours), perform the power supply to the 12V heating element (connection A/B in wiring diagram) in a way to have the 12V supply only live while the vehicle ignition is switched on.

The connection C/D (interior light, electronics) must be permanently provided by a 12V DC power supply to be protected by a 2A fuse.

### CAUTION!

If the appliance is installed in a caravan the respective leads for the 12V+ and 12V-connections A/B and C/D must not be connected to each other on the caravan-side (EN 1648-1).

### Cable cross sections and cable lengths :

#### Motorcaravan & Caravan (inside)

4 mm <sup>2</sup> (RML 8xxx = 6 mm <sup>2</sup> )	< 6 m
6 mm <sup>2</sup> (RML 8xxx = 10 mm <sup>2</sup> )	> 6 m

#### Caravan (outside)

min 2,5 mm<sup>2</sup> (EN1648-1)

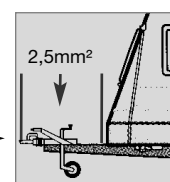
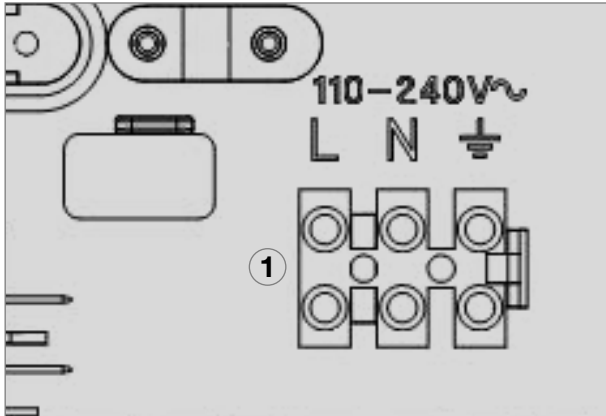


Fig. 42

### 4.9.3 Cable connections

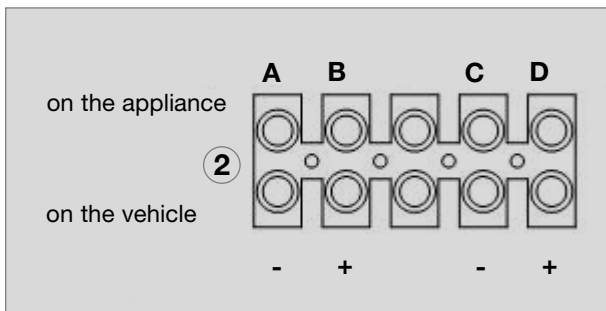
#### Connections for models RM(S) 8xx0



Mains connection

Fig. 39

- ① L = brown
- N = blue
- Earth = yellow/green



12V connection

Fig. 40

- ② A = Ground heating element DC (brown)
- B = Positive connection, heating element DC (brown)
- C = Ground interior lighting (black)
- D = Positive connection lighting (white)

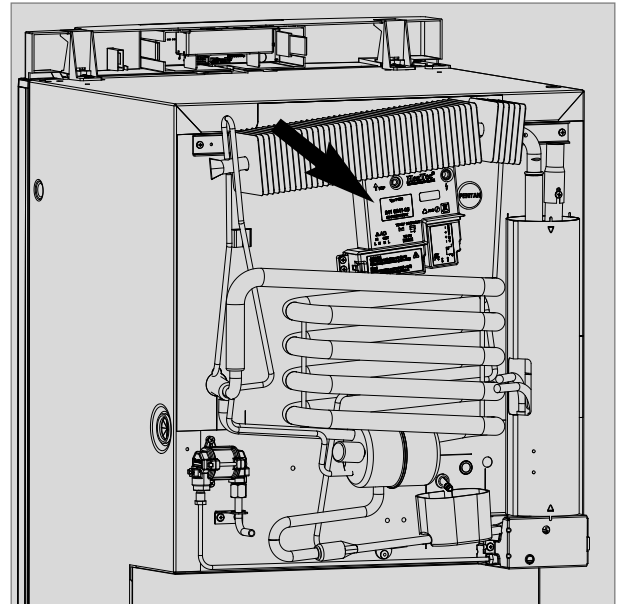
#### Connections for models RM(S) 8xxx (MES), RM(S) 8xx5 (AES) :



For MES and AES it is compulsory to provide a permanent 12V DC supply at the terminals C/D (permanent voltage supply for functional electronics).

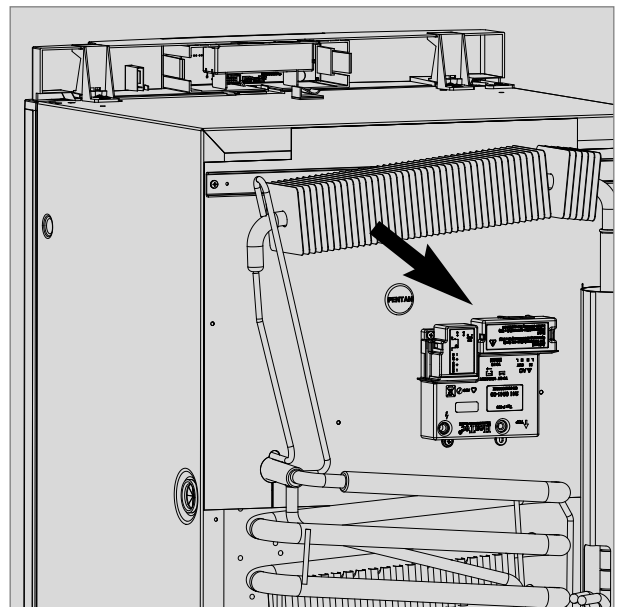
The power supplies for electronics and heating element are connected directly at the plug-in contacts of the electronics.

#### Position of the control electronics :



Stepped cabinet models

Fig. 41



Standard models

Fig. 42



**Contacts at the electronics:**

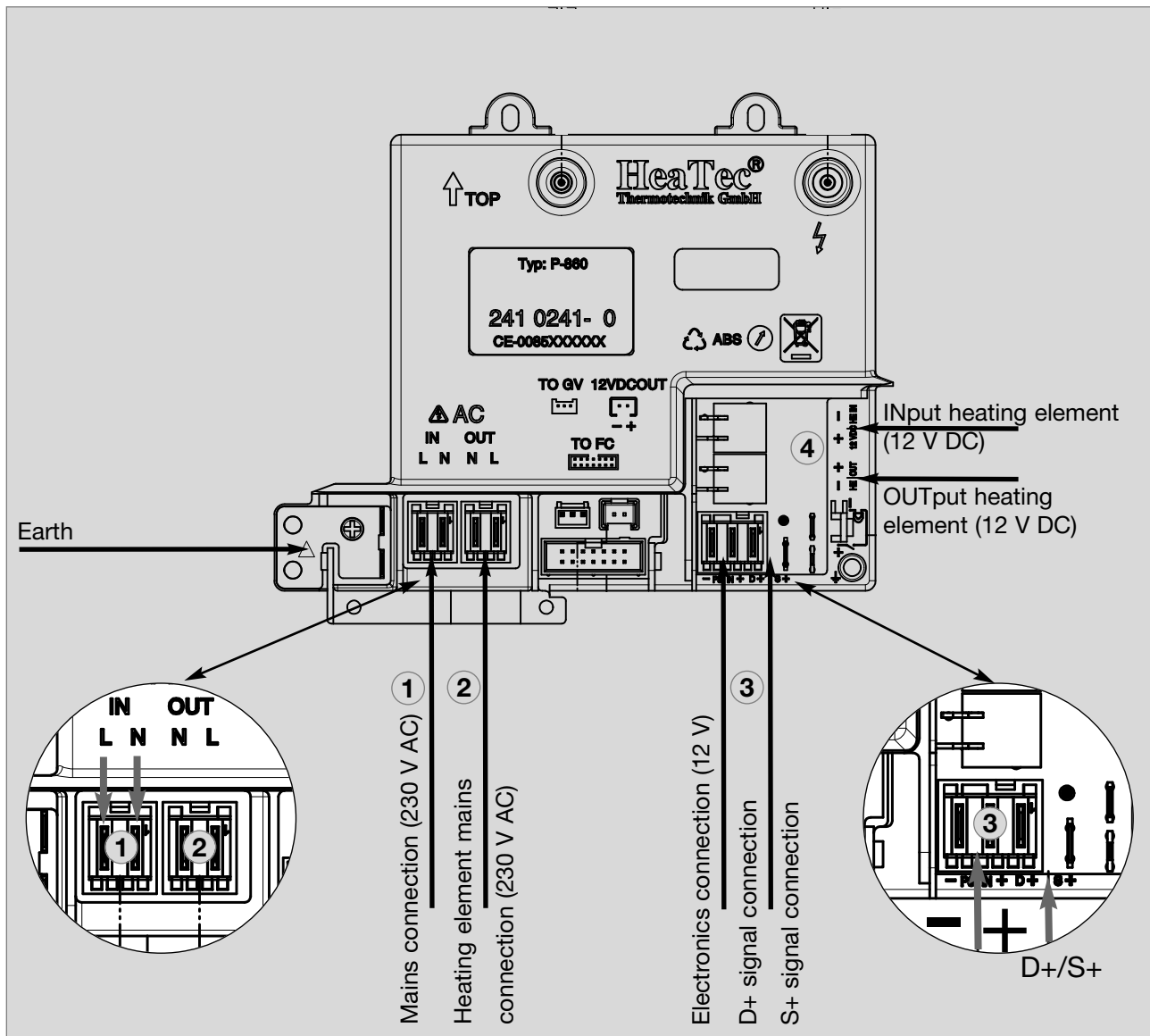


Fig. 43

**Plug-in contacts (manufacturer: Stocko® )**

- ① MF 9562-002-80E
- ② MF 9562-002-8 OC
- ③ 3-pin with D+ contact: MF 9562-003-8 30 960-000-00  
2-pin : MF 9562-002-8 ON + spade connector 6.3 x 0.8
- ④ MKH 5132-1-0-200

### 4.9.4 D+ and solar connection (only for AES models)

#### D+ signal connection

In **>Automatic Mode<** the **AES** electronic system automatically selects the most efficient energy supply. In automatic mode the electronic system uses the **D+ signal** (dynamo +) of the alternator to detect **12V DC**. 12V DC operation is selected only while the engine is running in order to prevent battery discharge.

#### S+ signal connection:

12V DC energy can be optionally achieved by mounting solar equipment to the vehicle. The solar power equipment must be provided with a solar charging controller with **AES output** (adequate charging controllers available in selected stores). The "S+ connection (Solar +) must be connected to the respective terminal of the solar charging controller (**AES output**). The electronic system uses the **S+ signal** of the solar charging controller to detect **solar 12V DC**.

#### Cable cross-sectional areas:

There are no particularly high current flows via the D+ and S+ connection; therefore no particularly large cross-section is required for these connections (approx. 1mm<sup>2</sup> is sufficient).

### 4.9.5 Circuit diagrams

#### Circuit diagram RM(S) 8x0 :

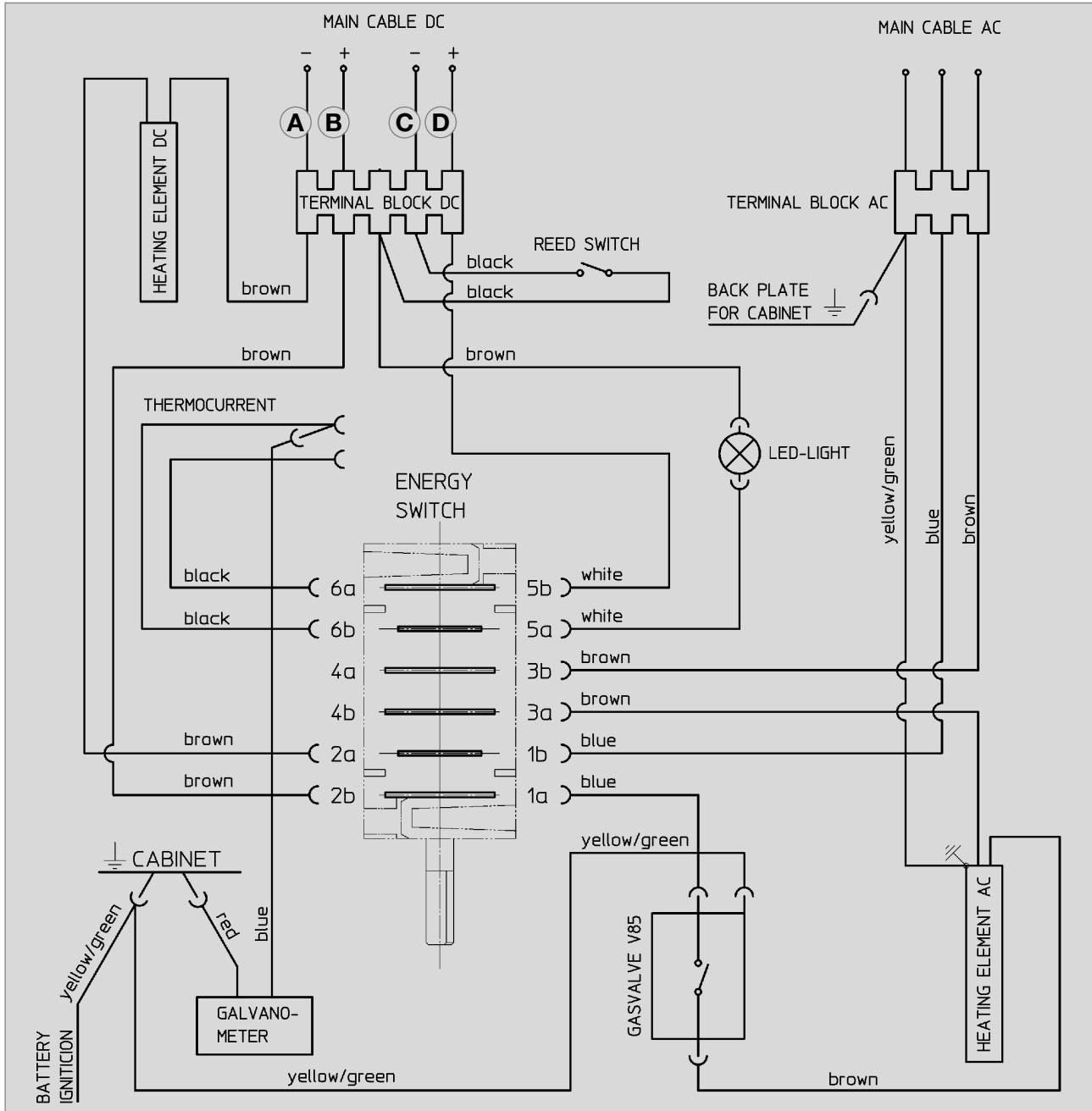


Fig. 44

Circuit diagram RM(S) 8xx1, RM(S) 8xx5 :

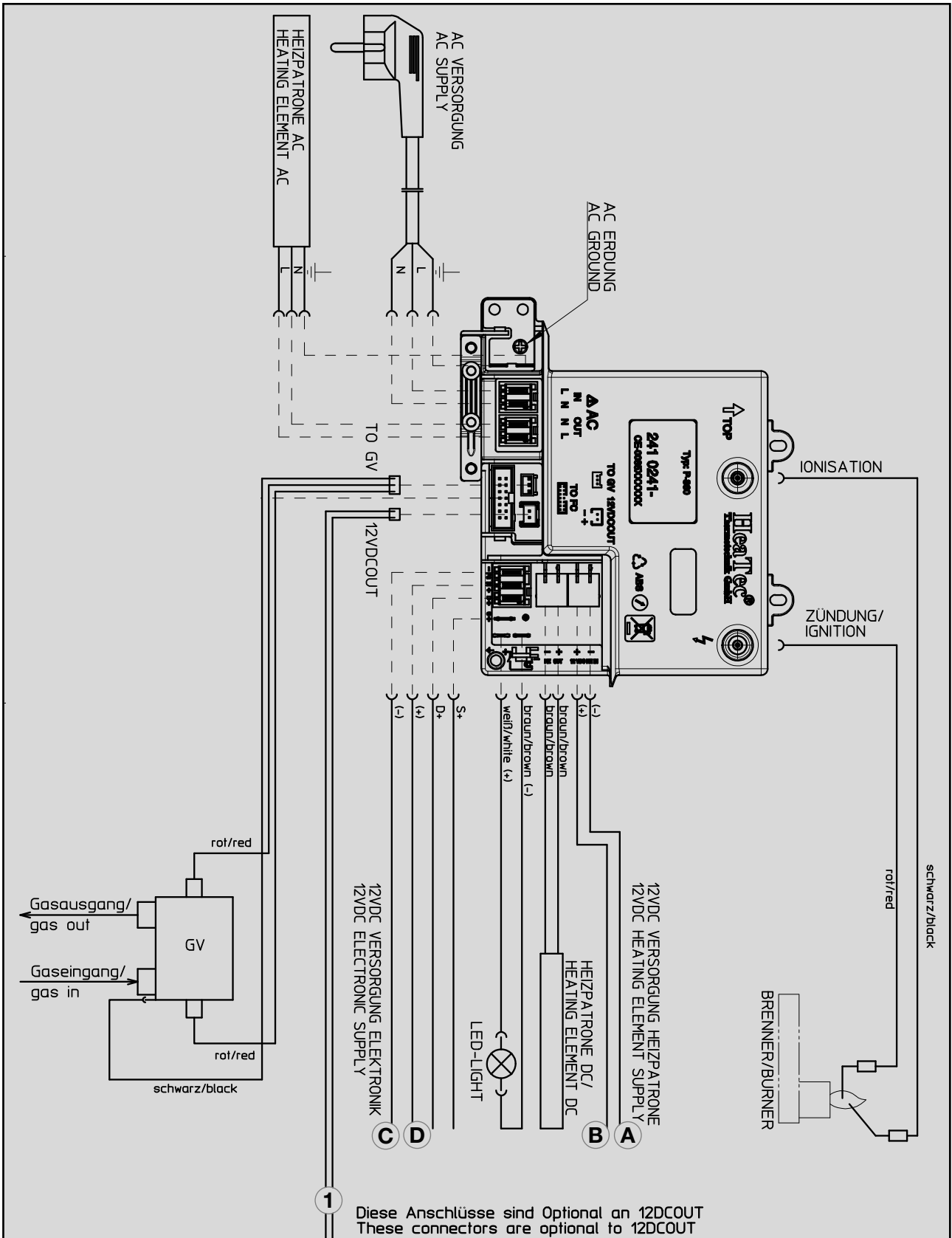


Fig. 45

**Fan (optional) RM(S) 8xx1, RM(S) 8xx5 :**

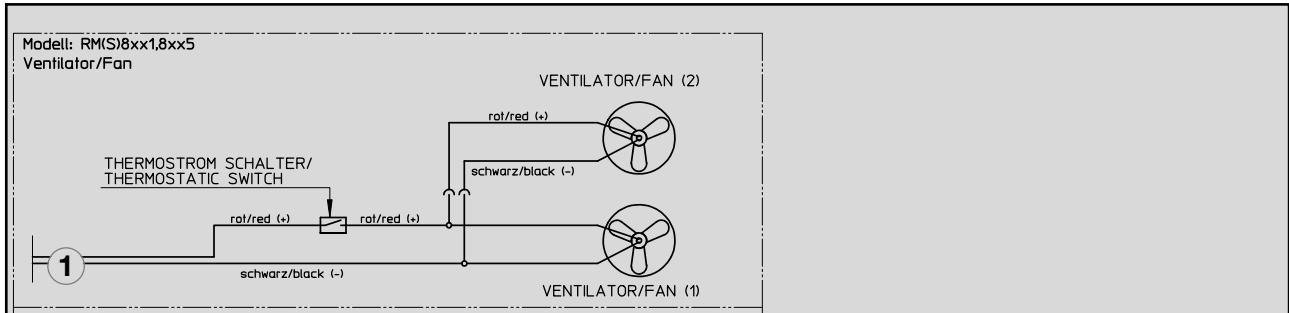


Fig. 46

- ① = 12V OUT / 12 V power supply for optional connections
- Ⓐ = Ground connection heating element 12VDC
- Ⓑ = Positive connection, heating element 12VDC
- Ⓒ = Ground connection electronics 12VDC
- Ⓓ = Positive connection electronics 12VDC



**For MES and AES it is compulsory to provide a permanent 12V DC supply at the terminals C/D (permanent voltage supply for functional electronics)**



## Instrucciones de instalación

Frigorífico de absorción para vehículos de ocio

RM 8400 RM 8401 RM 8405 RM 8500 RM 8501 RM 8505 RM 8550 RM 8551 RM 8555  
RMS 8400 RMS 8401 RMS 8405 RMS 8460 RMS 8461 RMS 8465 RMS 8500 RMS 8501  
RMS 8505 RMS 8550 RMS 8551 RMS 8555 RML 8550 RML 8551 RML 8555 RMSL 8500  
RMSL 8501 RMSL 8505



**N 1-1**

MBA 05/2012

**ES**

---

# Índice

0.0	Desembalaje y transporte .....	3
1.0	Aspectos generales .....	4
1.1	Introducción .....	4
1.2	Indicaciones sobre las presentes instrucciones de instalación .....	4
1.3	Derechos de autor .....	4
1.4	Explicación de los símbolos utilizados .....	4
1.5	Garantía .....	5
1.6	Limitación de responsabilidad .....	5
1.7	Declaración de conformidad .....	5
2.0	Indicaciones de seguridad .....	6
2.1	Uso conforme a lo prescrito .....	6
2.2	Responsabilidad del usuario .....	6
2.3	Trabajos y comprobaciones en el frigorífico .....	6
2.4	Funcionamiento del frigorífico con gas .....	6
3.0	Descripción del modelo .....	7
3.1	Denominación de modelo .....	7
3.2	Placa de características del frigorífico .....	7
3.3	Datos técnicos .....	8
4.0	Instrucciones de montaje .....	10
4.1	Montaje .....	10
4.1.1	Montaje lateral .....	10
4.1.2	Montaje lateral con ventilación de suelo/techo .....	11
4.1.3	Montaje en la parte trasera .....	11
4.1.4	Instalación sin corriente de aire .....	12
4.2	Ventilación del frigorífico .....	13
4.3	Instalación del sistema de ventilación .....	14
4.4	Conducto de extracción y colocación de la chimenea de extracción .....	15
4.5	Hueco para montaje .....	16
4.5.1	Inserción en el hueco .....	16
4.6	Fijación del frigorífico .....	17
4.7	Colocación de la placa de decoración .....	17
4.8	Instalación de gas .....	19
4.9	Instalación eléctrica .....	21
4.9.1	Conexión de red .....	21
4.9.2	Conexión a la batería .....	21
4.9.3	Conexiones de cables .....	22
4.9.4	Conexión D+ y conexión solar (sólo en modelos AES) .....	24
4.9.5	Esquemas de conexiones .....	25

Dometic GmbH  
In der Steinwiese 16  
D-57074 Siegen  
[www.dometic.com](http://www.dometic.com)





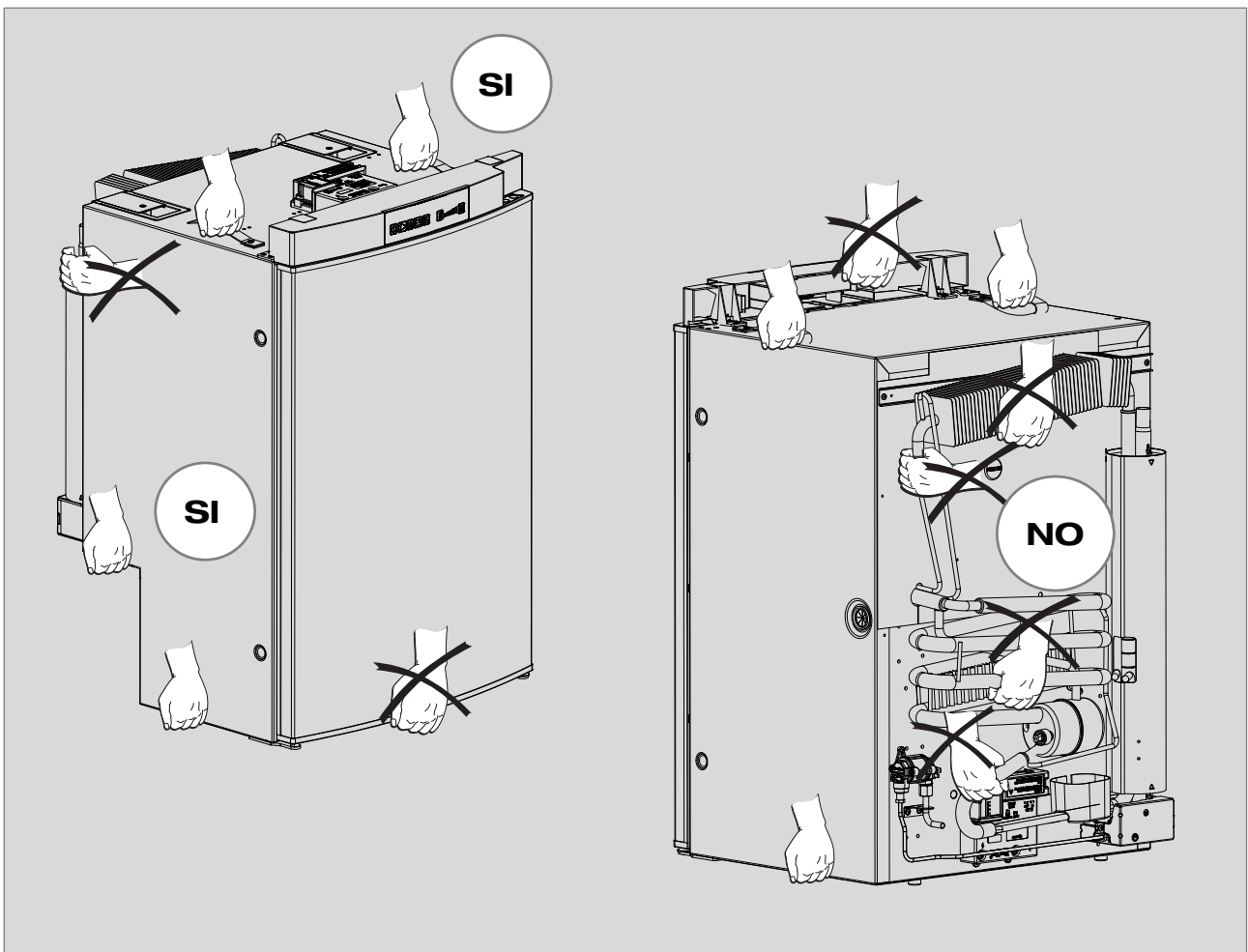
## 0.0 Desembalaje y transporte

### Elevamiento / Transporte del frigorífico

#### **PRECAUCIÓN!**

Para llevar o elevar el frigorífico nunca utilice otras piezas del mismo que las indicadas en la ilustración (en especial, no utilice el grupo frigorífico, los conductos de gas ni el panel de mandos).

Evitará que el frigorífico resulte dañado.



## 1.0 Aspectos generales

### 1.1 Introducción

Al montar el aparato, deberán cumplirse las prescripciones técnicas y administrativas del país en el que se matricula el vehículo por primera vez. Además también deberán seguirse las prescripciones de montaje del fabricante. Por ejemplo, en Europa, los aparatos de gas, la colocación de líneas, la colocación de bombonas de gas, así como el control y examen de estanqueidad deben cumplir la norma EN 1949 para instalaciones de gas líquido.

### 1.2 Indicaciones sobre las presentes instrucciones

**Antes de instalar el frigorífico, lea minuciosamente las presentes instrucciones de instalación.**

Estas instrucciones contienen las indicaciones necesarias para instalar su frigorífico correctamente. **Tenga especialmente en cuenta las indicaciones de seguridad.** Es importante atenerse a las indicaciones y los modos de proceder descritos: evitará que usted y el frigorífico sufran daños. Antes de aplicar una medida deberá haber entendido las instrucciones.

**Guarde el presente manual de instalación en un lugar seguro, para poder volver a consultarlo en cualquier momento.**

### 1.3 Derechos de autor

Los datos, textos e ilustraciones de las instrucciones están protegidos por derechos de autor, y están sujetos a los derechos de protección de propiedad industrial. Queda prohibido reproducir, fotocopiar o utilizar de algún modo cualquier parte de estas instrucciones sin la autorización escrita de Dometic GmbH, con sede en Siegen.

### 1.4 Explicación de los símbolos utilizados

#### Advertencias

Las advertencias vienen señaladas mediante iconos. Un texto complementario le detalla el grado de peligro existente.

**Tenga en cuenta este tipo de advertencias. Al hacerlo, se protegerá, protegerá a otras personas y evitará que el aparato sufra daños.**



**PELIGRO!**

**PELIGRO** indica una situación de peligro inmediato que puede provocar la muerte o heridas graves en caso de no aplicar las medidas indicadas.



**ADVERTENCIA!**

**ADVERTENCIA** indica una posible situación de peligro que puede provocar la muerte o heridas graves en caso de no aplicar las medidas indicadas.



**PRECAUCIÓN!**

**PRECAUCIÓN** indica una posible situación de peligro que puede provocar heridas leves o medias en caso de no aplicar las medidas indicadas.

**PRECAUCIÓN!**

**PRECAUCIÓN** sin el símbolo de seguridad indica una posible situación de peligro que puede provocar daños en el aparato en caso de no aplicar las medidas indicadas.

## Información



**INFORMACIÓN** le proporciona datos complementarios prácticos para utilizar su frigorífico.

## Indicación medioambiental



**INDICACIÓN MEDIOAMBIENTAL** le proporciona consejos para ahorrar energía y desechar el aparato.

## 1.5 Garantía


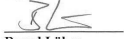
Las tramitaciones de garantía siguen la directiva CE 44/1999/CE y las condiciones prescritas en el país de venta. Para cuestiones relacionadas con la garantía o asistencia técnica, diríjase a nuestro servicio de atención al cliente. Las averías debidas a un uso indebido del aparato no se incluirán dentro de la garantía. Toda modificación del aparato o toda utilización de piezas de repuesto que no sean **piezas Dometic originales**, así como el no atenerse a las instrucciones de montaje y uso, provocará la exoneración de la garantía y la exclusión de los derechos de hacer efectiva una responsabilidad.

## 1.6 Limitación de responsabilidad

Toda la información y las indicaciones contenidas en las presentes instrucciones de uso han sido redactadas teniendo en cuenta las normas y prescripciones vigentes, así como el estado de la técnica. **Dometic** se reserva el derecho de poder realizar en todo momento modificaciones de producto que mejoren el producto y su seguridad. **Dometic** ño asume ninguna responsabilidad en caso de:

- No seguir las instrucciones de uso
- Utilizar el aparato de forma no acorde a la prescrita
- Utilizar piezas de repuesto no originales
- Realizar modificaciones o intervenciones en el aparato
- Influencias de entorno, como por ejemplo
  - cambios de temperatura
  - humedad del aire

## 1.7 Declaración de conformidad

		
<b>DECLARATION OF CONFORMITY</b>		
according to		
LVD 2014/35/EU EMC Directive 2004/108/EC, 2014/30/EU Gas Appliance Directive 2009/142/EC		
ECE R10, Rev. 4		
Type of equipment	Absorption Refrigerator	
Brand Name	DOMETIC	
Type family	C 40/110	
Manufacturer's (Factory) name	DOMETIC GmbH	
address	In der Steinwiese 16, D-57074 Siegen	
telephone no	INT+49 - 271 692 0	
telefax no	INT+49 - 271 692 304	
The following harmonized standards or technical specifications (designations) which comply with good engineering practice in safety matters in force within the EEA have been practiced:		
EN 60335-1;12 (IEC 60335-1; 5 ed., Am. 1, Am. 2), EN 60335-2-24;10 (IEC 60335-2-24; 7 ed., Am. 1.) EN 61000-3-2;06, A1, A2      EN 61000-3-3;08 EN 55014-1;06, A1, A2      EN 55014-2;97, A1, A2 EN 732:98      EN 60335-2-102:06 EN 30-1-1;10 A1 (Tectower-Models) EN 30-2-1; 98 A1, A2 (Tectower-Models) EN 50581;2010		
The equipment conforms completely with the above stated harmonized standards or technical specifications.		
By signing this document, the undersigned declares as manufacturer, or the manufacturer's authorized representative established within the EEA, that the equipment in question complies with the requirements stated above.		
Date	Signature	Position
2017.01.09	 Bernd Löher	General Manager

## 2.0 Indicaciones de seguridad

### 2.1 Uso conforme a lo prescrito

Este frigorífico ha sido concebido para ser instalado en vehículos de ocio, como por ejemplo en caravanas o autocaravanas. El aparato cumple la directiva comunitaria sobre aparatos de gas de la UE según el modelo de construcción.

Utilice el frigorífico exclusivamente para refrigerar y almacenar alimentos.

#### **PRECAUCION!**

El refrigerador no debe ser expuesto a la lluvia.

### 2.2 Responsabilidad del usuario

Las personas que manejan el frigorífico deberán saber cómo utilizarlo de forma segura y conocer las indicaciones de estas instrucciones de uso.

### 2.3 Trabajos y comprobaciones en el frigorífico



#### **ADVERTENCIA!**

Los trabajos relacionados con las áreas del gas, de la extracción de humos y los componentes eléctricos tan sólo podrán ser realizados por el servicio técnico autorizado. Si se aplican medidas no apropiadas pueden provocarse daños materiales o personales considerables.



#### **PELIGRO!**



Nunca compruebe la hermeticidad del aparato en las piezas y los conductos de gas teniendo una llama ardiendo. Existe el peligro de producirse un incendio o una explosión..



#### **ADVERTENCIA!**

Nunca abra el grupo frigorífico de absorción. Está sometido a una gran presión.

Existe el peligro de resultar herido.

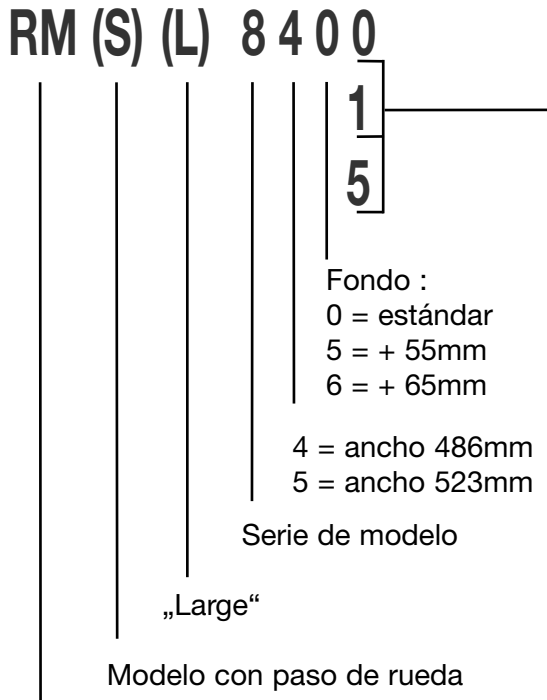
### 2.4 Funcionamiento del frigorífico a gas

La presión de funcionamiento deberá corresponderse obligatoriamente con los datos registrados en la placa de características del frigorífico. Compare los datos de la presión de trabajo de la placa del modelo con los del indicador de presión en el cilindro de gas líquido.

### 3.0 Descripción del modelo

#### 3.1 Denominación de modelo

Ejemplo:



Refrigerator Mobile / Frigorífico de absorción portátil

- 0**  
 selección manual de energía + encendido manual (**ignición de pila**)
- 1**  
 selección manual de energía, encendido automático (**MES**)
- 5**  
 selección automática y manual de energía, encendido automático (**AES**)

#### 3.2 Placa de características del frigorífico

En el interior del frigorífico encontrará la placa de características del frigorífico. En ella se encuentran todos los datos importantes del aparato. Podrá leer la denominación de modelo, el número de producto y el número de serie. Necesitará estos datos a la hora de contactar con el Servicio de atención al cliente o a la hora de pedir piezas de repuesto.

DOMETIC			
TYPE	C 40/110	CLIMATE CLASS	SN
MOD. NO.	RMS 8400 <b>1</b>	PROD. NO.	00921084272 <b>2</b>
		SER. NO.	99900165 <b>3</b>
BRUTTOINHALT TOTAL CAP. VOLUME BRUT	80 l 85 l	VERDAMPFERFACH FREEZER COMP. VOLUME COMPT BT	8 l 0 l
		NUTZINHALT USEFUL CAP. VOLUME NET	77 l 82 l
~ 230-240V / 125 W = 12 V / 120 W	LPG	Qn: 0,252 kW (HS) ñ: 18,3 g/h	
<b>4</b>	<b>5</b>	I3+ 28-30/37 I3B/P 28-30 I3P 37	mbar
CE 0063 BL3214	G30, G31	p = 30/37	mbar
ABSORPTION	NH <sub>3</sub> = 115 g	Na <sub>2</sub> CO <sub>3</sub> = 7,0 g	p max = 35 bar
07 CE 0085	e 1 021654	AP	Z 660
FKW, FCKW FREI / CFC, HCFC FREE	MADE IN GERMANY	00057364562	

Ejemplo

- 1** N° de modelo
- 2** N° de producto
- 3** Número de serie
- 4** Valores de conexión eléctrica
- 5** Presión de gas



Todos los frigoríficos **Dometic** de esta serie están equipados para una presión de conexión de **30 mbar**. Al conectarlos a una instalación de 50 mbar utilice el **regulador de presión de admisión Truma VDR 50/30**.

### 3.3 Datos técnicos



Fig. 1

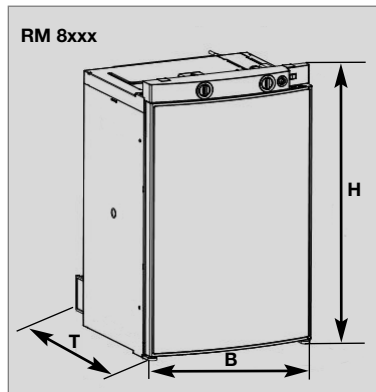


Fig. 2



Fig. 3

#### Modelos con puerta curvada

Modelo	Dimensiones Al x An x F (mm) Fdo. incl. puerta	Capacidad total		Valores de conexión Red/Batería	Consumo * Eléctrico/Gas en 24h	Peso neto	Encendido	
		con congelador	sin congelador				Piezo	autom.
RMS 8400	821x486x568	80 / 8 lit.	85 lit.	125 W / 120 W	ca.2,5 kWh / 270 g	25 kg	•	
RMS 8401	821x486x568	80 / 8 lit.	85 lit.	125 W / 120 W	ca.2,5 kWh / 270 g	25 kg		•
RMS 8405	821x486x568	80 / 8 lit.	85 lit.	125 W / 120 W	ca.2,5 kWh / 270 g	25 kg		•
RM 8400	821x486x568	90 / 8 lit.	95 lit.	135 W / 130 W	ca.2,4 kWh / 270 g	27 kg	•	
RM 8401	821x486x568	90 / 8 lit.	95 lit.	135 W / 130 W	ca.2,4 kWh / 270 g	27 kg		•
RM 8405	821x486x568	90 / 8 lit.	95 lit.	135 W / 130 W	ca.2,4 kWh / 270 g	27 kg		•
RMS 8460	821x486x633	90 / 11 lit.	96 lit.	125 W / 120 W	ca.2,5 kWh / 270 g	26 kg	•	
RMS 8461	821x486x633	90 / 11 lit.	96 lit.	125 W / 120 W	ca.2,5 kWh / 270 g	26 kg		•
RMS 8465	821x486x633	90 / 11 lit.	96 lit.	125 W / 120 W	ca.2,5 kWh / 270 g	26 kg		•
RMS 8500	821x523x568	90 / 9 lit.	96 lit.	125 W / 120 W	ca.2,5 kWh / 270 g	26 kg	•	
RMS 8501	821x523x568	90 / 9 lit.	96 lit.	125 W / 120 W	ca.2,5 kWh / 270 g	26 kg		•
RMS 8505	821x523x568	90 / 9 lit.	96 lit.	125 W / 120 W	ca.2,5 kWh / 270 g	26 kg		•
RMS 8550	821x523x623	103 / 12 lit.	110 lit.	125 W / 120 W	ca.2,6 kWh / 270 g	27 kg	•	
RMS 8551	821x523x623	103 / 12 lit.	110 lit.	125 W / 120 W	ca.2,6 kWh / 270 g	27 kg		•
RMS 8555	821x523x623	103 / 12 lit.	110 lit.	125 W / 120 W	ca.2,6 kWh / 270 g	27 kg		•
RM 8500	821x523x568	100 / 9 lit.	106 lit.	135 W / 130 W	ca.2,4 kWh / 270 g	28 kg	•	
RM 8501	821x523x568	100 / 9 lit.	106 lit.	135 W / 130 W	ca.2,4 kWh / 270 g	28 kg		•
RM 8505	821x523x568	100 / 9 lit.	106 lit.	135 W / 130 W	ca.2,4 kWh / 270 g	28 kg		•
RM 8550	821x523x623	115 / 12 lit.	122 lit.	135 W / 130 W	ca.2,6 kWh / 270 g	30 kg	•	
RM 8551	821x523x623	115 / 12 lit.	122 lit.	135 W / 130 W	ca.2,6 kWh / 270 g	30 kg		•
RM 8555	821x523x623	115 / 12 lit.	122 lit.	135 W / 130 W	ca.2,6 kWh / 270 g	30 kg		•
RML 8550	1245x523x625	179 / 33 lit.	189 lit.	190 W / 170 W	ca.3,2 kWh / 380 g	45 kg	•	
RML 8551	1245x523x625	179 / 33 lit.	189 lit.	190 W / 170 W	ca.3,2 kWh / 380 g	45 kg		•
RML 8555	1245x523x625	179 / 33 lit.	189 lit.	190 W / 170 W	ca.3,2 kWh / 380 g	45 kg		•
RMSL 8500	1245x523x568	145 / 28 lit.	155 lit.	190 W / 170 W	ca.3,2 kWh / 380 g	40 kg	•	
RMSL 8501	1245x523x568	145 / 28 lit.	155 lit.	190 W / 170 W	ca.3,2 kWh / 380 g	40 kg		•
RMSL 8505	1245x523x568	145 / 28 lit.	155 lit.	190 W / 170 W	ca.3,2 kWh / 380 g	40 kg		•

## Modellos con puerta plana

Modelo	Dimensiones Al x An x F (mm) Fdo. incl. puerta	Capacidad total		Valores de conexión Red/Batería	Consumo * Eléctrico/Gas en 24h	Peso neto	Encendido	
		con congelador	sin congelador				Piezo	autom.
RMS 8500	821x523x541	86 / 9 lit.	92 lit.	125 W / 120 W	ca.2,5 KWh / 270 g	26 kg	•	
RMS 8501	821x523x541	86 / 9 lit.	92 lit.	125 W / 120 W	ca.2,5 KWh / 270 g	26 kg		•
RMS 8505	821x523x541	86 / 9 lit.	92 lit.	125 W / 120 W	ca.2,5 KWh / 270 g	26 kg		•
RMS 8550	821x523x596	99 /12 lit.	106 lit.	125 W / 120 W	ca.2,6 KWh / 270 g	27 kg	•	
RMS 8551	821x523x596	99 /12 lit.	106 lit.	125 W / 120 W	ca.2,6 KWh / 270 g	27 kg		•
RMS 8555	821x523x569	99 /12 lit.	106 lit.	125 W / 120 W	ca.2,6 KWh / 270 g	27 kg		•
RM 8500	821x523x541	96 / 9 lit.	102 lit.	135 W / 130 W	ca.2,4 KWh / 270 g	28 kg	•	
RM 8501	821x523x541	96 / 9 lit.	102 lit.	135 W / 130 W	ca.2,4 KWh / 270 g	28 kg		•
RM 8505	821x523x541	96 / 9 lit.	102 lit.	135 W / 130 W	ca.2,4 KWh / 270 g	28 kg		•
RM 8550	821x523x596	111 /12 lit.	118 lit.	135 W / 130 W	ca.2,6 KWh / 270 g	30 kg	•	
RM 8551	821x523x596	111 /12 lit.	118 lit.	135 W / 130 W	ca.2,6 KWh / 270 g	30 kg		•
RM 8555	821x523x596	111 /12 lit.	118 lit.	135 W / 130 W	ca.2,6 KWh / 270 g	30 kg		•

Reservado el derecho de realizar modificaciones técnicas.

\*Consumo medio medido a una temperatura ambiental media de 25°C según en estándar ISO.

## 4.0 Instrucciones de montaje

### 4.1 Montaje



#### ADVERTENCIA!

La instalación del aparato sólo podrán realizarla especialistas autorizados para ello.

El aparato y el conducto de extracción deberán ser montados de forma que queden accesibles para realizar trabajos de servicio, y que puedan montarse y desmontarse del vehículo sin tener que realizar grandes esfuerzos.

A la hora de colocar y conectar el aparato deberán seguirse las disposiciones :

- La instalación eléctrica debe realizarse aplicando las normas nacionales y locales.
- La instalación de gas debe realizarse aplicando las normas nacionales y locales.
- Norma europea EN 1949
- Normas europeas EN 60335-1, EN 60335-2-24, EN 1648-1 , EN 1648-2
- Instale el aparato de modo que quede protegido contra una exposición excesiva al calor.

La exposición excesiva al calor perjudicará el rendimiento y aumentará el consumo de energía del frigoríficos.



Ignorar la presente guía de montaje sin la autorización previa de Dometic provocará la anulación de la garantía por parte de nuestra empresa.

#### 4.1.1 Montaje lateral

Si el aparato se monta en el lateral de la puerta de acceso, deberá asegurarse de que la rejilla de ventilación no quede tapada por la puerta abierta (Fig. 5, Distancia puerta - rejilla de ventilación mín. 25 mm). En caso contrario, la ventilación será insuficiente, lo que mermará el rendimiento de la refrigeración. A menudo, el lado de la puerta del vehículo está dotado de un avancé. Éste dificulta el escape de gases de combustión y de calor por la rejilla de ventilación (merma de rendimiento de refrigeración).

Las rejillas de ventilación están obstruidas. La distancia entre la puerta y la rejilla de ventilación debe ser al menos de 25 mm (Fig.5) .

Para distancias entre puerta/rejilla de entre 25 y 45 mm recomendamos que se instale el **kit de ventilación de Dometic (n° de art. 241 2985 - 00/0)** , para conseguir un rendimiento óptimo de refrigeración a altas temperaturas ambientales.

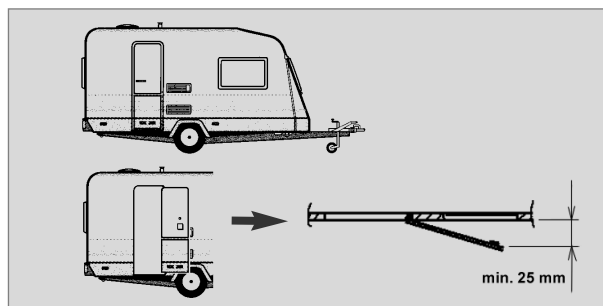


Fig. 5

Las rejillas de ventilación permiten que el calor del grupo frigorífico y los gases salgan sin problemas incluso teniendo abierta la puerta del frigorífico (Fig. 6).

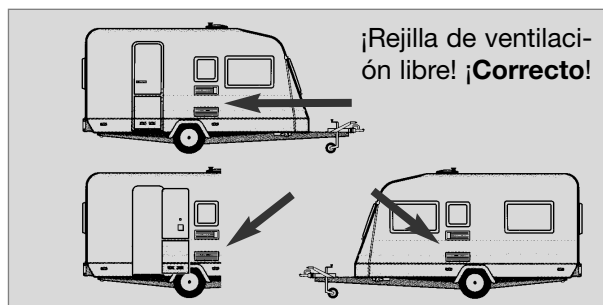


Fig. 6



### 4.1.2 Montaje lateral con ventilación de suelo/techo

Otra posibilidad es ventilar el frigorífico dejando una ranura de ventilación en el suelo e instalando un sistema de ventilación en el techo del vehículo (véase Fig. 7). Entre el canto superior del frigorífico y la ventilación de techo debe instalarse una chimenea que deje salir el aire caliente y los gases de escape del grupo frigorífico directamente por el sistema de ventilación del techo.

La abertura del suelo debe tener una sección transversal libre de al menos **250 cm<sup>2</sup>**. Esta abertura debe tener una protección, por ejemplo, una chapa de desviación y una red, para evitar que entre suciedad en la zona de combustión de gas. Con este tipo de ventilación puede entrar más suciedad en la zona posterior del frigorífico (en comparación con la ventilación lateral), por lo que deberá realizarse un mantenimiento regular del quemador de gas, al menos una vez al año.

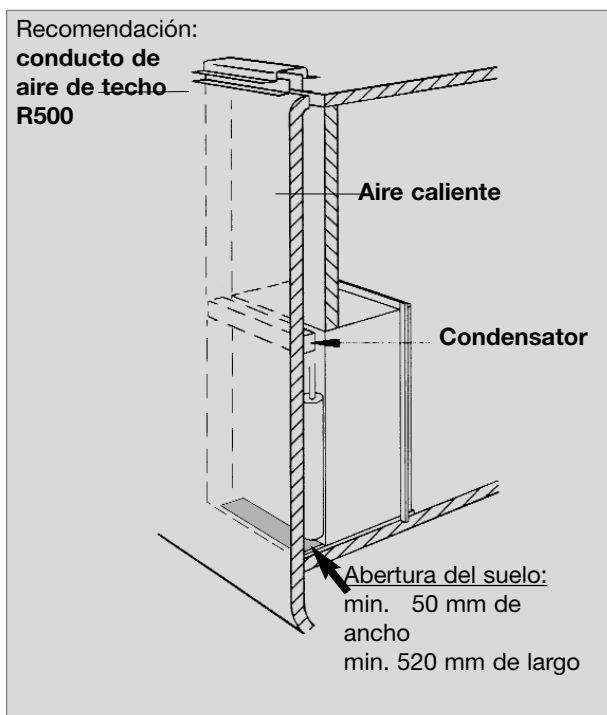


Fig. 7



**En esta variante de montaje, sólo se podrá realizar el mantenimiento regular de la unidad del quemador de gas desmontando el aparato. El frigorífico deberá instalarse obligatoriamente de forma que quede garantizado un fácil desmontaje.**

**Por tanto, recomendamos prever una abertura de mantenimiento (tapa de servicio) en la parte exterior.**

### 4.1.3 Montaje en la parte trasera

A menudo, el montaje en la parte trasera provoca una situación de montaje poco propicia, ya que no siempre queda garantizada una ventilación óptima (p. ej., ¡la rejilla de ventilación inferior queda cubierta por el parachoques o las luces traseras del vehículo!) (Fig. 8). El máximo rendimiento de refrigeración del grupo frigorífico no está disponible de forma efectiva.



Fig. 8



Fig. 9

Una variante poco propicia del montaje en la parte trasera es la colocación lateral de la rejilla de ventilación (Fig. 10). La circulación del aire caliente es muy limitada, lo que provoca que los intercambiadores de calor (condensadores, absorbedores) ya no se refrigeran lo suficiente. También la variante con una rejilla de ventilación montada adicionalmente en el suelo presenta una mala conducción de la corriente de aire.

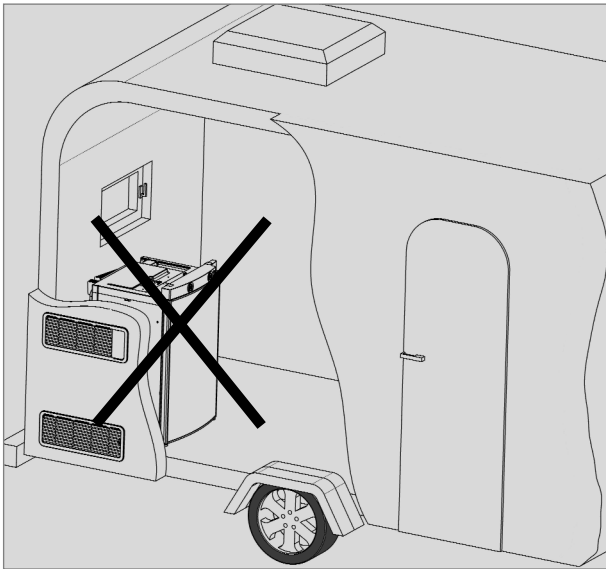


Fig. 10

**PRECAUCION!**

¡No se dispone del máximo rendimiento de refrigeración! No utilice esta opción de montaje, ya que en esta variante la ventilación no queda garantizada tal y como se describe en el punto 4.2.

**4.1.4 Instalación sin corriente de aire**

Los aparatos frigoríficos en caravanas, autocaravanas u otros vehículos deben montarse sin corriente de aire (EN 1949). Esto significa que el aire necesario para la combustión del quemador de gas no se absorbe del espacio habitado, y que se evita que los gases entren directamente al mismo.

Deberá preverse una obturación apropiada entre el dorso del frigorífico y el habitáculo del vehículo.

**Dometic** recomienda encarecidamente utilizar un obturador flexible para así facilitar un desmontaje y montaje del aparato con fines de mantenimiento.



**ADVERTENCIA!**

En ningún caso deberá instalarse el frigorífico sin corriente de aire utilizando pastas obturadoras resistentes o espumas (por ejemplo, espumas de montaje), u otros productos similares. **NO** utilice materiales fácilmente inflamables (sobre todo pastas de sellado de silicona o similares) para la obturación. Podría provocar un incendio. Al utilizarlos, se eximen la garantía y la responsabilidad civil de producto del fabricante.

**Propuesta 1**

Los retenes labiales (1) se colocan en el hueco para montaje inferior y en los laterales pertinentes (Fig. 11-13). Una chapa de disipación de calor (2) se coloca en el hueco para montaje situado encima del frigorífico (**NO fijar al frigorífico**).

Coloque la chapa de disipación de modo que el aire calentado pueda salir al exterior por la rejilla de ventilación y no pueda producirse ninguna acumulación térmica.

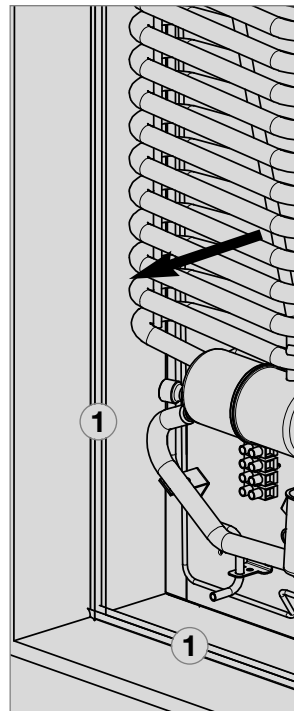


Fig. 11

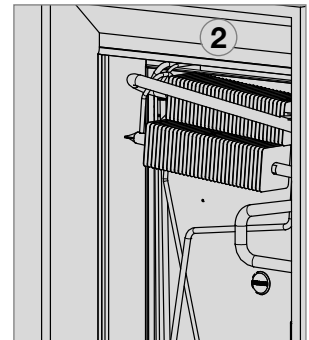


Fig. 12

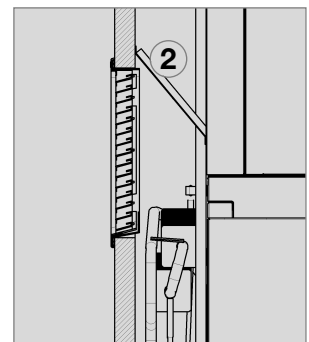


Fig. 13

Más adelante, el frigorífico se insertará desde arriba en el hueco para montaje. Asegúrese de que las obturaciones están colocadas homogéneamente en la carcasa.

Así, el frigorífico podrá desmontarse fácilmente para realizar trabajos de mantenimiento y reparaciones.

### Propuesta 2

Fije las faldas obturadoras en un listón tope de la parte trasera (1), por ejemplo, pegándolas.

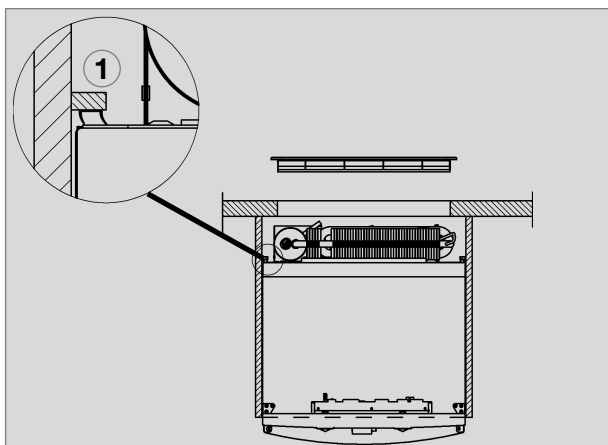


Fig. 14

El espacio que se encuentra entre la pared exterior del vehículo y el frigorífico está estancado de la zona habitada. Por tanto, los gases no pueden entrar en la zona habitada. Los gases salen por la rejilla superior de la ventilación hacia el exterior. En la instalación sin corriente de aire no es necesario utilizar un conducto de extracción especial.

Con esta variante, puede utilizarse la misma rejilla de ventilación **LS200** sin conducto de extracción tanto arriba como abajo.

Si no obstante se desea tener una chimenea de extracción, monte el sistema de ventilación **LS100** con conducto de extracción (*Montaje de chimenea de extracción, véase "4.4"*).



**Las modificaciones deberán ser autorizadas por el fabricante.**

## 4.2 Ventilación del frigorífico

El montaje correcto del aparato es importante para el funcionamiento, ya que en la parte trasera del aparato se genera calor (por las condiciones físicas) que debe conducirse hacia el exterior.



**A altas temperaturas ambientales, un rendimiento pleno del grupo frigorífico sólo quedará garantizado mediante una ventilación suficiente.**

El grupo frigorífico se ventila mediante dos aberturas de la pared de la caravana. El aire fresco entra por abajo y circula saliendo calentado por la rejilla de ventilación superior (efecto chimenea).

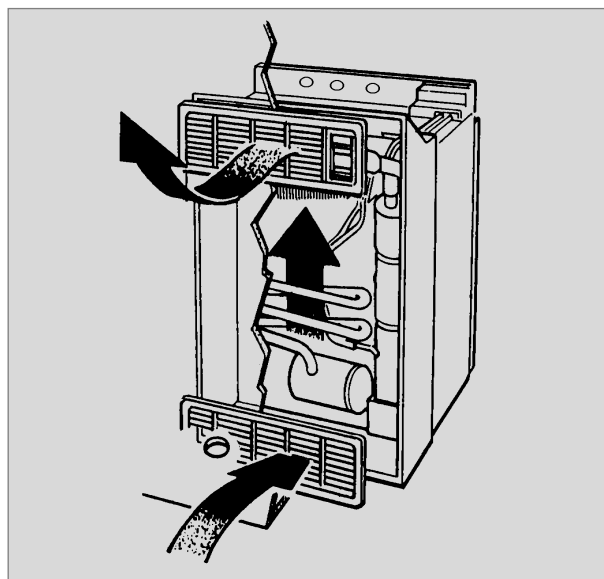


Fig. 15

**La rejilla de ventilación superior debe colocarse lo más arriba posible sobre el condensador (1, Fig. 16). La rejilla de ventilación inferior deberá colocarse a ras del suelo del vehículo (Fig. 16,17) para que en caso de que se escape el gas aún no quemado (más pesado que el aire), salga directamente al exterior.**



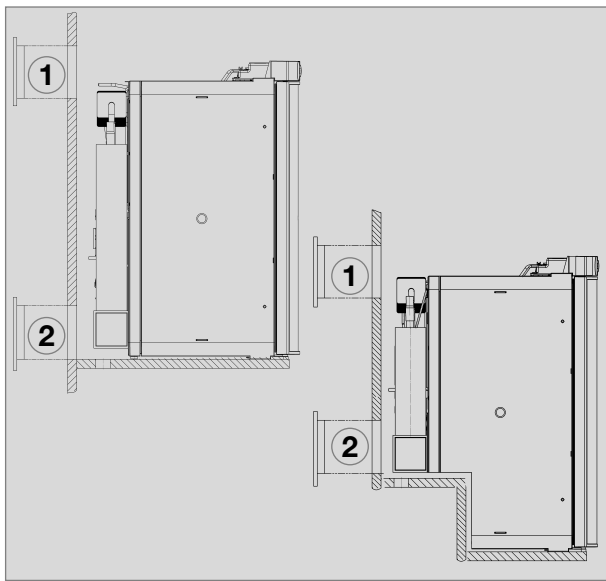


Fig. 16

- 1 rejilla de ventilación LS 100 o LS 200
- 2 rejilla de ventilación LS 200

El quemador de gas debe encontrarse encima del canto (1, Fig. 17) .

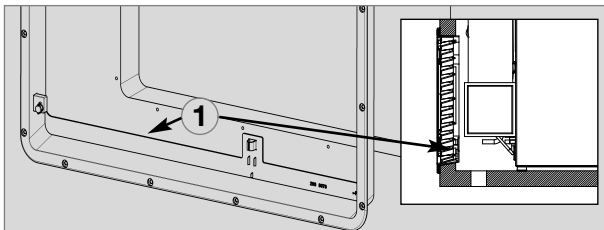


Fig. 17

Si esto no es posible, el fabricante del vehículo deberá hacer un orificio de ventilación en el fondo del hueco para que en caso de que se escape el gas no quemado no se acumule en el fondo.

Las rejillas de ventilación deben tener una sección transversal libre de al menos 250cm<sup>2</sup>. Ésta se consigue con el sistema de ventilación con absorbedor LS 100 / LS 200 de Dometic, certificado y autorizado para este propósito.

### 4.3 Instalación del sistema de ventilación

El sistema de ventilación superior LS 100 está compuesto por un bastidor de montaje (RS 1640) (1), una rejilla de ventilación incl. conducto de extracción (AS 1620) (2, 3) y una cubierta de invierno (WA120) (4). El sistema de ventilación inferior LS 200 también está compuesto por un bastidor de montaje (RS 1650), rejilla de ventilación (AS 1630, no obstante sin conducto de extracción) y una cubierta de invierno (WA130).

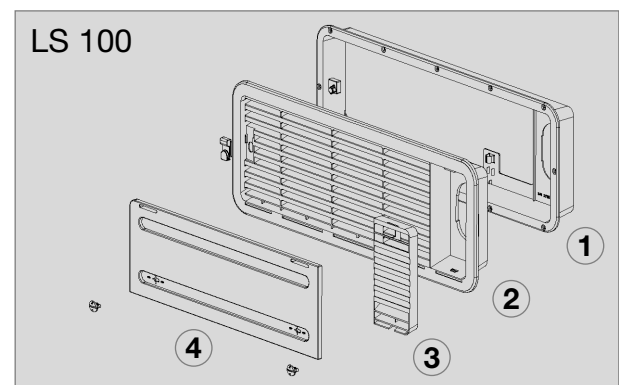


Fig. 18

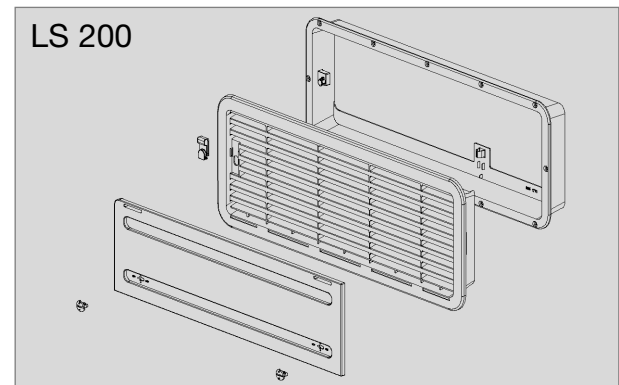


Fig. 19



La colocación correcta de la rejilla de ventilación inferior facilita el acceso a las conexiones del aparato y a las piezas funcionales a la hora de realizar trabajos de mantenimiento.

#### PRECAUCIÓN!

Una instalación divergente mermará el rendimiento de refrigeración, además de eximir la garantía/responsabilidad de producto.

Para proceder a instalar las rejillas de ventilación, corte un rectángulo (451 mm x 156 mm) en la pared exterior del vehículo (para situar los cortes, véase "4.2").

**1**

Obturar el bastidor de montaje de forma que quede estanco (no es necesario en los bastidores de montaje con obturación integrada).

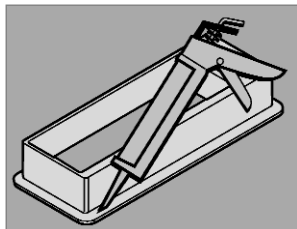


Fig. 20

**2**

Colocar el bastidor y atornillarlo fijamente.

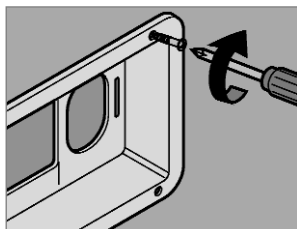


Fig. 21

**3**

Colocar y bloquear las rejillas de ventilación en el bastidor de montaje.

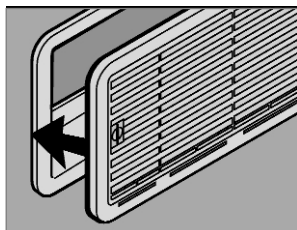


Fig. 22

**4**

Encastrar la pieza para el conducto de extracción (sólo en el sistema de ventilación superior LS100).

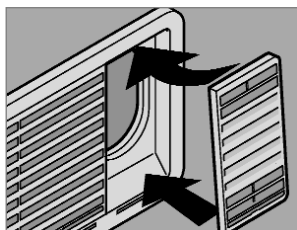


Fig. 23

**5**

Colocar la cubierta de invierno.

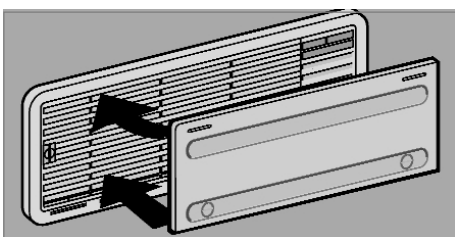


Fig. 24

#### 4.4 Conducto de extracción y colocación de la chimenea de extracción

El conducto de extracción debe garantizar que la desviación de los productos de combustión se produzca fuera del espacio habitado. El conducto de extracción debe colocarse siempre verticalmente para evitar que se acumulen condensados. En el tipo de conducto de extracción mostrado en la fig 25 la cubierta de invierno (10, Fig. 25) puede colocarse lateralmente.

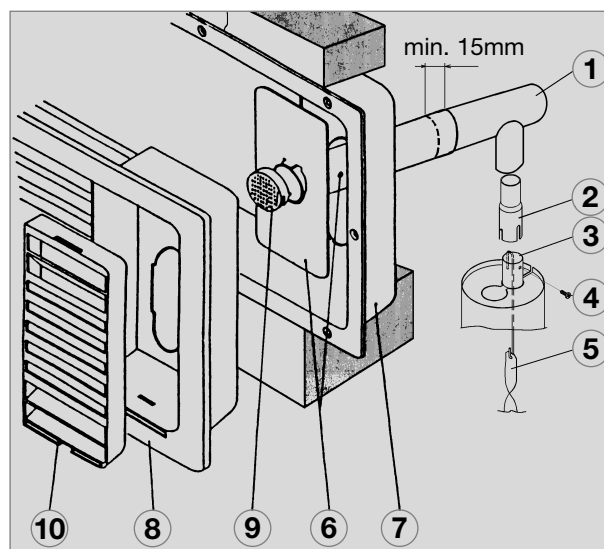


Fig. 25

##### Colocación de la chimenea de extracción estándar

1. Insertar la pieza en forma de T (1) en el adaptador (2), o bien en el conducto de extracción (3) y fijarla con el tornillo (4). Deberá tener en cuenta que el distribuidor de calor (5) se encuentra en su posición prevista.
2. Insertar el conducto de extracción completo con la placa cobertora (6) por la abertura prevista para ello del marco superior (7) y conectarlo con la pieza en forma de T (1). En caso pertinente, acortar el conducto de extracción (6) a la longitud apropiada.
3. Colocar la rejilla de ventilación LS 100 (8) en el bastidor de montaje (7) y bloquearlo con el cierre de muletilla, que se encuentra en el lado izquierdo de la rejilla.
4. Colocar la tapadera abatible (9) sobre el conducto de extracción (6).
5. Colocar la pieza para el conducto de extracción (10) en la rejilla de ventilación (8).

## 4.5 Hueco para montaje

El frigorífico deberá ser montado en un hueco sin corriente de aire (v. tb. "4.1.4"). El nivel **(1)** (Fig. 26) sólo se necesita en los modelos con paso de rueda. El suelo del hueco deberá ser plano, de modo que el aparato pueda desplazarse sin dificultades a su posición correcta. El suelo deberá ser lo suficientemente firme para poder soportar el peso del aparato.

### 4.5.1 Inserción en el hueco

El aparato deberá insertarse en el hueco hasta que el canto delantero de la carcasa del frigorífico y el canto delantero del hueco estén alineados. Entre la pared del fondo del hueco y el grupo frigorífico deberá existir un **espacio libre de 15-20 mm**.

**l frigorífico deberá montarse en posición vertical en el hueco.**

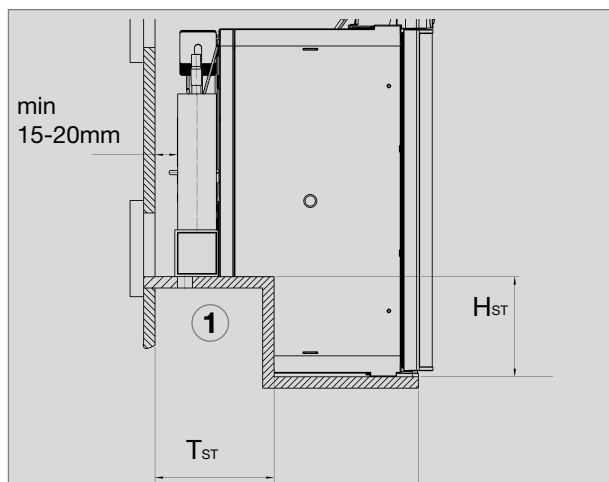


Fig. 26

Modello	Altura H <sub>ST</sub>	Fondo T <sub>ST</sub>
RMS 8400	220 mm	235 mm
RMS 8401	220 mm	235 mm
RMS 8405	220 mm	235 mm
RMS 8460	220 mm	235 mm
RMS 8461	220 mm	235 mm
RMS 8465	220 mm	235 mm
RMS 8500	220 mm	235 mm
RMS 8501	220 mm	235 mm
RMS 8505	220 mm	235 mm
RMS 8550	220 mm	235 mm
RMS 8551	220 mm	235 mm
RMS 8555	220 mm	235 mm
RMSL 8550	220 mm	235 mm
RMSL 8551	220 mm	235 mm
RMSL 8555	220 mm	235 mm

## 4.6 Fijación del frigorífico

En los laterales del frigorífico, existen cuatro manguitos para fijar el frigorífico. Los laterales o los listones colocados para fijar el frigorífico deberán colocarse de modo que los tornillos estén bien apretados incluso en los casos de mayor esfuerzo (durante la marcha). Los tornillos de fijación y las tapaderas abatibles se adjuntan con el frigorífico.

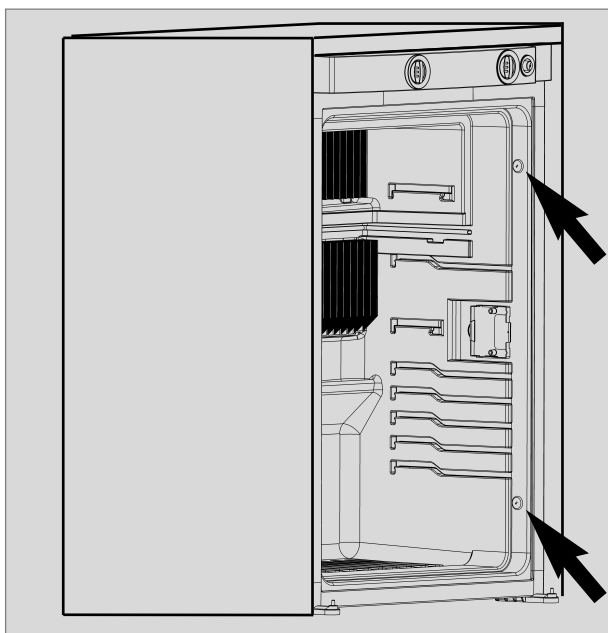


Fig. 27

### PRECAUCION!

Girar los tornillos siempre mediante los casquillos previstos para ello, ya que en caso contrario las piezas cubiertas de plástico, como por ejemplo los conductos, podrían resultar dañadas.

Una vez que el frigorífico se haya colocado en su posición definitiva, los tornillos deberán atornillarse por el frigorífico hasta la pared del hueco.

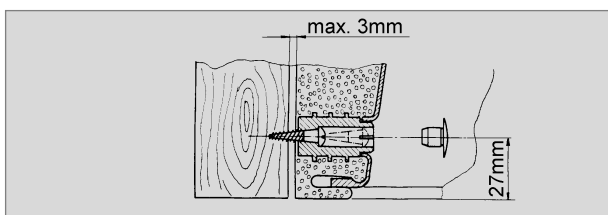


Fig. 28

## 4.7 Colocación de la placa de decoración

### Modello RM 8xxx, RMS 84xx

- Retire el listón (1) lateral de la puerta (el listón está encajado, no atornillado).
- Desplace la placa de decoración (2) sacándola de la puerta, coloque la nueva placa de decoración y vuelva a colocar el listón (1).

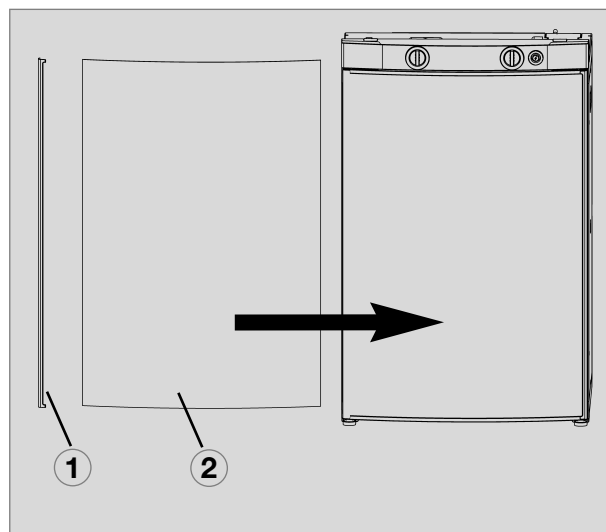


Fig. 29

### Dimensiones de la placa de decoración :

**Ancho de carcasa** 486 mm

Altura	Ancho	Grosor
743 +/- 0.5 mm	472 +/- 0.5 mm	max. 2.2 mm

**Ancho de carcasa** 523 mm

Altura	Ancho	Grosor
743 +/- 0.5 mm	510.5 +/- 0.5 mm	max. 2.2 mm

Modello RM 8xxx, RMS 84xx

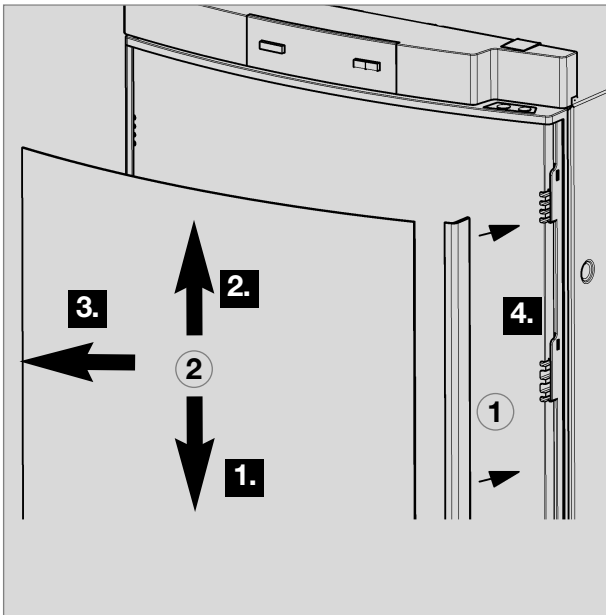


Fig. 30

**PRECAUCION!**

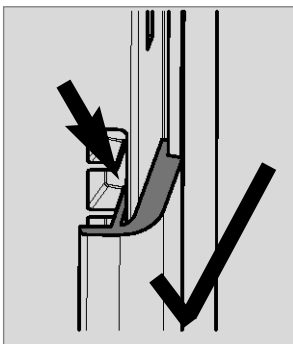


Fig. 31

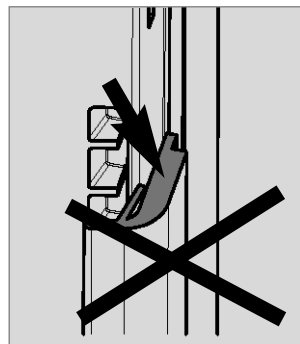


Fig. 32

Modello RMx(L) 8xxx, placa de decoración sin marco

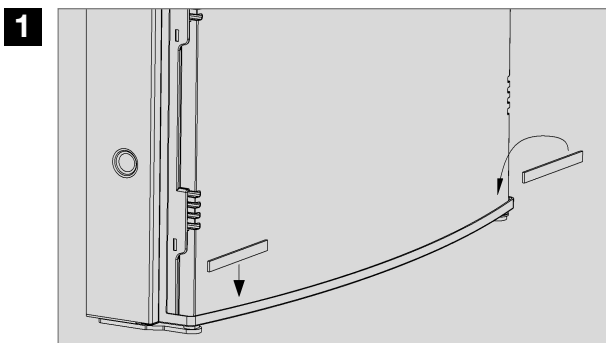


Fig. 33

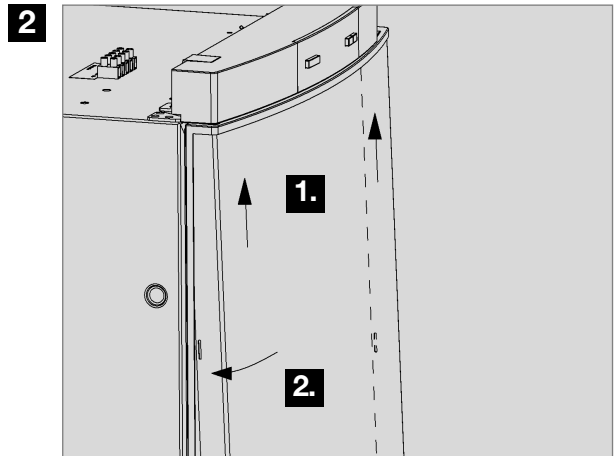


Fig. 34

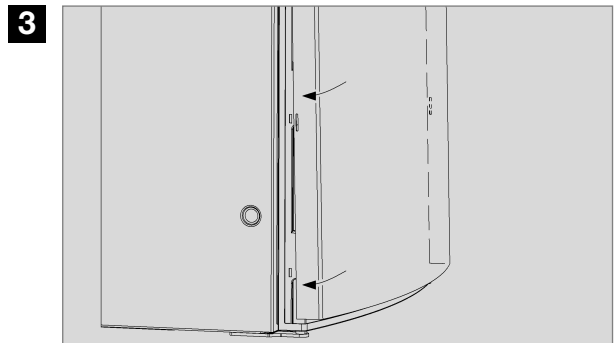


Fig. 35

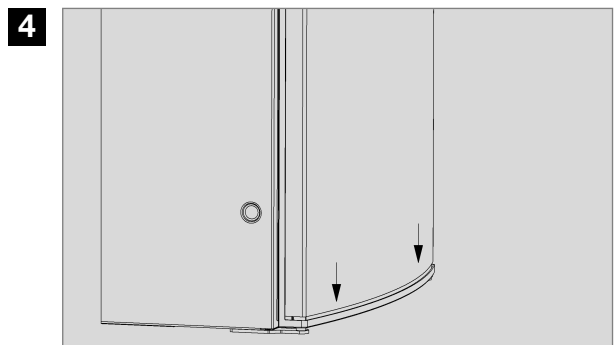


Fig. 36

**Dimensiones de la placa de decoración :**

**Ancho de carcasa** 523 mm

**Altura**                      **Ancho**                      **Grosor**

1169,5 +/-1 mm    507,5 +/-1 mm    max. 1.7 mm



## 4.8 Instalación de gas



### ADVERTENCIA!

La toma de gas sólo podrá ser instalada por un especialista autorizado\*.

\* Los especialistas autorizados son expertos reconocidos, que debido a su formación o a sus conocimientos pueden garantizar que la instalación y el examen de estanqueidad ha sido realizado correctamente.

- Siga las indicaciones listadas en el punto 4.1.
- Este frigorífico ha sido concebido para ser conectado a una instalación de gas líquido según la norma EN1949, y funcionará únicamente con gas líquido (propano, butano) (NO con gas natural ni gas ciudad).
- Deberá instalarse un regulador ajustado de forma fija según la norma EN 12864.
- El regulador deberá concordar con la presión de funcionamiento indicada en la placa de características. La presión de funcionamiento se corresponde con la presión normativa del país pertinente (EN 1949, EN732).
- Únicamente se acepta una presión de conexión por cada vehículo. Allí donde se instale la bombona de gas, deberá colocarse una placa claramente legible que indique esta circunstancia.
- La conexión de gas al aparato deberá llevar una instalación altamente segura y sin tensión, y deberá estar bien conectada al vehículo (no se permiten conexiones de goma) (EN 1949).
- La conexión de gas con el aparato se efectúa mediante un atornillado de anillo cortante ("Ermeto") K8, DIN 2353-ST según EN 1949 (fig. 37,38).
- La instalación conforme a las reglas del arte deberá ser realizada por un especialista autorizado\*, que deberá realizar una prueba de fugas y comprobar la

llama según la norma EN 1949. Al realizar dicha inspección se expedirá un certificado acreditativo.

- El frigorífico deberá estar equipado con un mecanismo de cierre instalado en el conducto de abastecimiento. El mecanismo de cierre deberá ser instalado en un lugar fácilmente accesible para el usuario.

### Presión de conexión y categorías de gas

Los frigoríficos funcionan con las presiones de entrada y los gases citados a continuación. Los reductores de presión que deben instalarse entre la bombona de gas y el frigorífico deberán ser de una de las categorías indicadas en las siguientes tablas.

Categoría	Presión en mbar	GAS
I3B / P(30)	30	Butano
	30	Propano
I3+ (28-30/37)	28-30	Butano
	37	Propano



Todos los frigoríficos **Dometic** de esta serie están equipados para una presión de conexión de **30 mbar**. Al conectarlos a una instalación de 50 mbar utilice el **regulador de presión de admisión Truma VDR 50/30**.



En caso de utilizar **autogás** deberá tener en cuenta de que debido al tipo de combustión del gas, el quemador deberá limpiarse más a menudo (se recomienda hacerlo 2 a 3 veces al año).

**Conexión de gas en los modelos  
RM(S)(L) 8xx0**

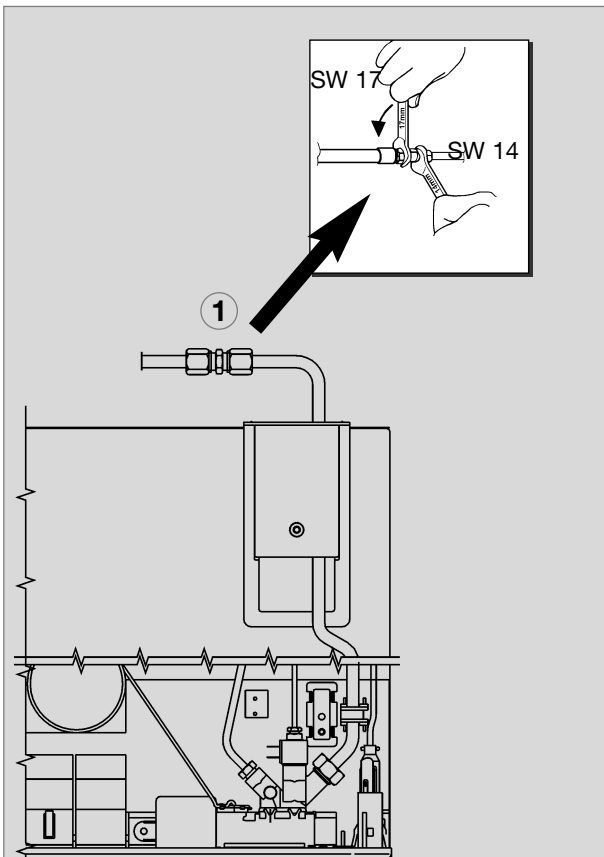


Fig. 37

- 1 Atornillado de anillo cortante ("Ermeto")  
K8, DIN 2353-ST (EN ISO 8434)

**Conexión de gas en los modelos  
RM(S)(L) 8xx1, RM(S)(L) 8xx5**

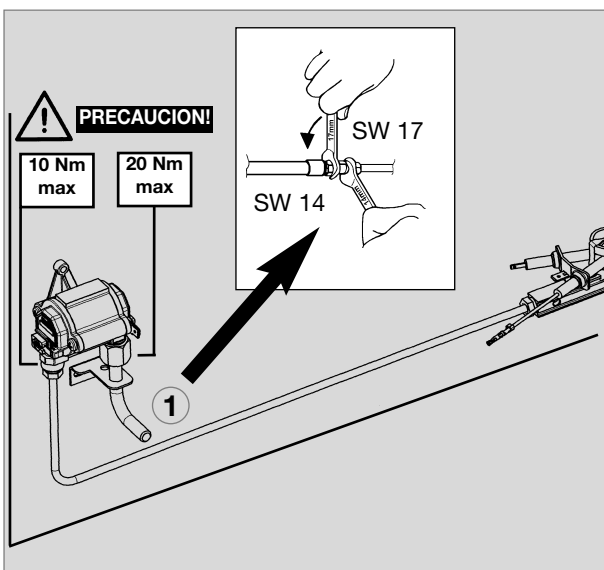


Fig. 38

## 4.9 Instalación eléctrica



### ADVERTENCIA!

**La instalación eléctrica sólo podrá ser ejecutada por un especialista autorizado.\***

\* Los especialistas autorizados son expertos reconocidos, que debido a su formación o a sus conocimientos pueden garantizar que la instalación ha sido realizado correctamente.

- La instalación eléctrica debe realizarse aplicando las normas nacionales.
- El cable de conexión deberá colocarse de modo que no puedan entrar en contacto con los componentes calientes del grupo frigorífico / quemador o con cantos afilados.
- Al realizar modificaciones en la instalación eléctrica o la conexión de otros componentes eléctricos (p. ej., un ventilador adicional) al cableado interno del aparato, provocará la exoneración de la aprobación e1/CE, así como todas los derechos de garantía y responsabilidad de producto.

### 4.9.1 Conexión de red

- La corriente eléctrica deberá suministrarse de una caja de enchufe con puesta a tierra que cumpla las prescripciones o a una conexión de red con puesta a tierra. Si se utiliza el conducto de conexión a red con enchufe, el enchufe deberá estar siempre accesible.
- Si el conducto de conexión resulta dañado, deberá ser sustituido por el servicio posventa de Dometic o por un personal cualificado para ello, para así evitar posibles peligros.

Recomendamos que la línea de alimentación lleve un fusible de a bordo..

### 4.9.2 Conexión a la batería

El cable de conexión de a bordo de 12 V se conecta a una regleta de bornes del frigorífico (RMx 8xx0) o en las tomas de corriente del sistema electrónico (RMx 8xx1, 8xx5) con la polaridad correcta. La conexión de los cables del cartucho calentador (véase el cuadro de conexiones A, B, cable de conexión rojo/blanco) deberá efectuarse mediante una conexión directa y lo más corta posible con la batería o el dínamo.

**Para proteger el circuito de a bordo de 12 V deberán proveerse los siguientes fusibles:**

- RM8xxx, RMS8xxx: 15 A
- RML855x, RML855x: 20 A

Para que al parar el motor del vehículo no olvide desconectar el modo de 12 V (la batería se descargaría en unas pocas horas), recomendamos que el suministro de corriente para el cartucho calentador (conexión A/B de los esquemas de conexiones) se realice de forma que éste se interrumpa al girar la llave de encendido. En la conexión C/D (iluminación, sistema electrónico; cable de conexión negro/violeta) deberá colocar una fuente de alimentación continua de 12V (CC), que deberá llevar un fusible de 2A en el lateral.

### PRECAUCION!

**Al realizar la instalación en la caravana los conductos negativo y positivo correspondientes de las conexiones de 12 V A/B y C/D no deberán ser conectados entre sí (EN 1648-1).**

**Las secciones transversales y longitudes :**

#### Autocaravana y caravana (interior)

4 mm <sup>2</sup> (RML = 6 mm <sup>2</sup> )	< 6 m
6 mm <sup>2</sup> (RML = 10 mm <sup>2</sup> )	> 6 m

#### Caravana (exterior)

min 2,5 mm<sup>2</sup> (EN1648-1)

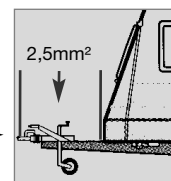
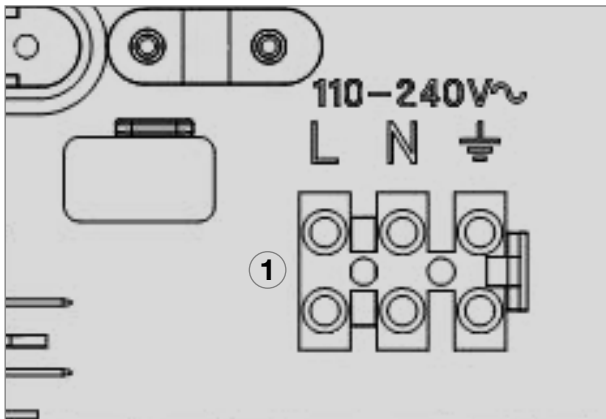


Fig. 42

### 4.9.3 Conexiones de cables

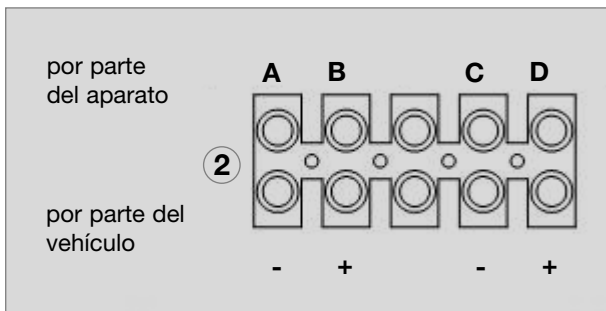
#### Conexiones en los modelos RM(S) 8xx0 :



Conexión de red

Fig. 39

- 1 L = marrón  
 N = azul  
 Puesta a tierra = amarillo/verde



Conexión a la batería (12V)

Fig. 40

- 2 A = Masa elemento calentador CC (marrón)  
 B = Positivo elemento calentador CC (marrón)  
 C = Masa iluminación CC (negro)  
 D = Positivo iluminación 12 V CC (blanco)

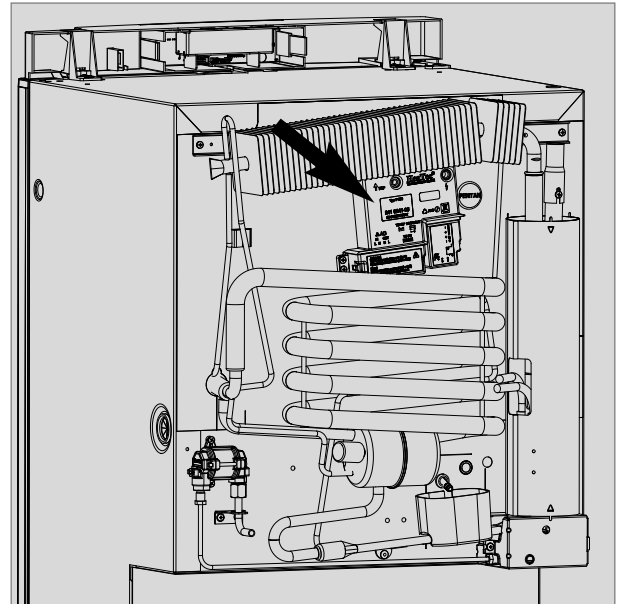
#### Conexiones en los modelos RM(S) 8xxx (MES), RM(S) 8xx5 (AES) :



Para el funcionamiento de los tipos de aparatos MES y AES estará prohibido conectar un abastecimiento continuo de 12 V a los bornes C/D (abastecimiento continuo para la electrónica funcional).

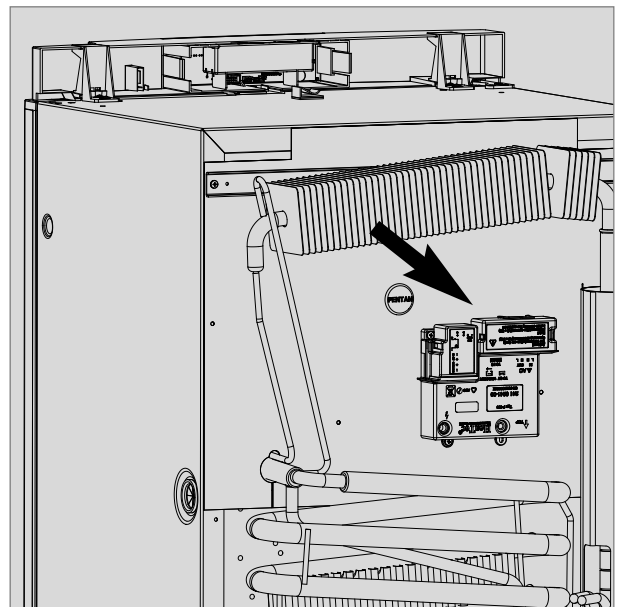
La conexión del abastecimiento de tensión para el sistema electrónico y los elementos calefactores se realiza directamente en las tomas de corriente del sistema electrónico.

#### Posición del control electrónico:



Modelos con paso de rueda

Fig. 41



Modelos estándar

Fig. 42

Contactos en el sistema electrónico :

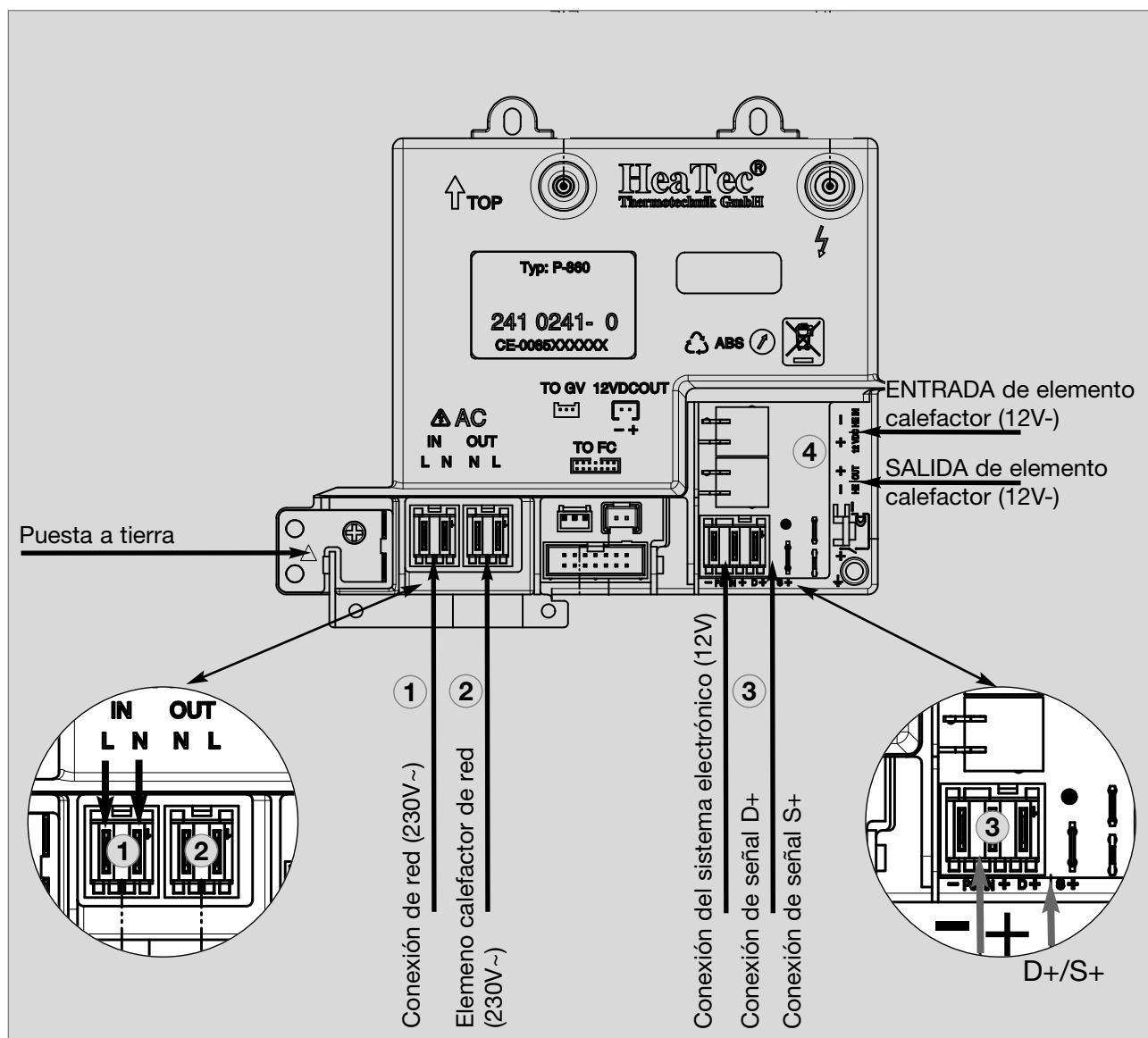


Fig. 43

Tomas de corriente (Fabricante Stocko®)

- 1 MF 9562-002-80E
- 2 MF 9562-002-8 OC
- 3 *tripolar con toma D+:* MF 9562-003-8 30 960-000-00  
*bipolar:* MF 9562-002-8 ON + clavija plana 6.3 x 0.8
- 4 MKH 5132-1-0-200

### 4.9.4 Conexión D+ y conexión solar (sólo en modelos AES)

#### Conexión de señal D+:

En el modo automático ("**Automatic mode**") el sistema electrónico **AES** selecciona el modo de energía más adecuado automáticamente. En el modo automático, el sistema electrónico utiliza la señal **D+** (dínamo +) del dínamo para reconocer el modo **12 V CC**. El funcionamiento con el modo de energía de **12 V CC** sólo se seleccionará cuando el motor esté en marcha para así evitar que la batería se descargue.

#### Conexión de señal S+:

Como alternativa, el modo de funcionamiento de **12 V CC** puede ser alimentado mediante un sistema de energía solar del vehículo. El sistema de energía solar deberá estar equipado con regulador solar con **salida AES** (este tipo de reguladores pueden adquirirse en establecimientos especializados). La conexión **S+** (Solar +) deberá estar conectada al borne correspondiente del regulador solar (**salida AES**). El sistema electrónico emplea la señal **S+** del regulador solar para reconocer el **12 V CC solar**.

#### Secciones transversales de cables:

Por las conexiones D+ y S+ no fluye una corriente alta, por lo que no hace falta utilizar cables de secciones transversales especialmente grandes (aprox. 1 mm<sup>2</sup> es suficiente).

### 4.9.5 Esquemas de conexiones

#### Esquema de conexiones RM(S) 8x0 :

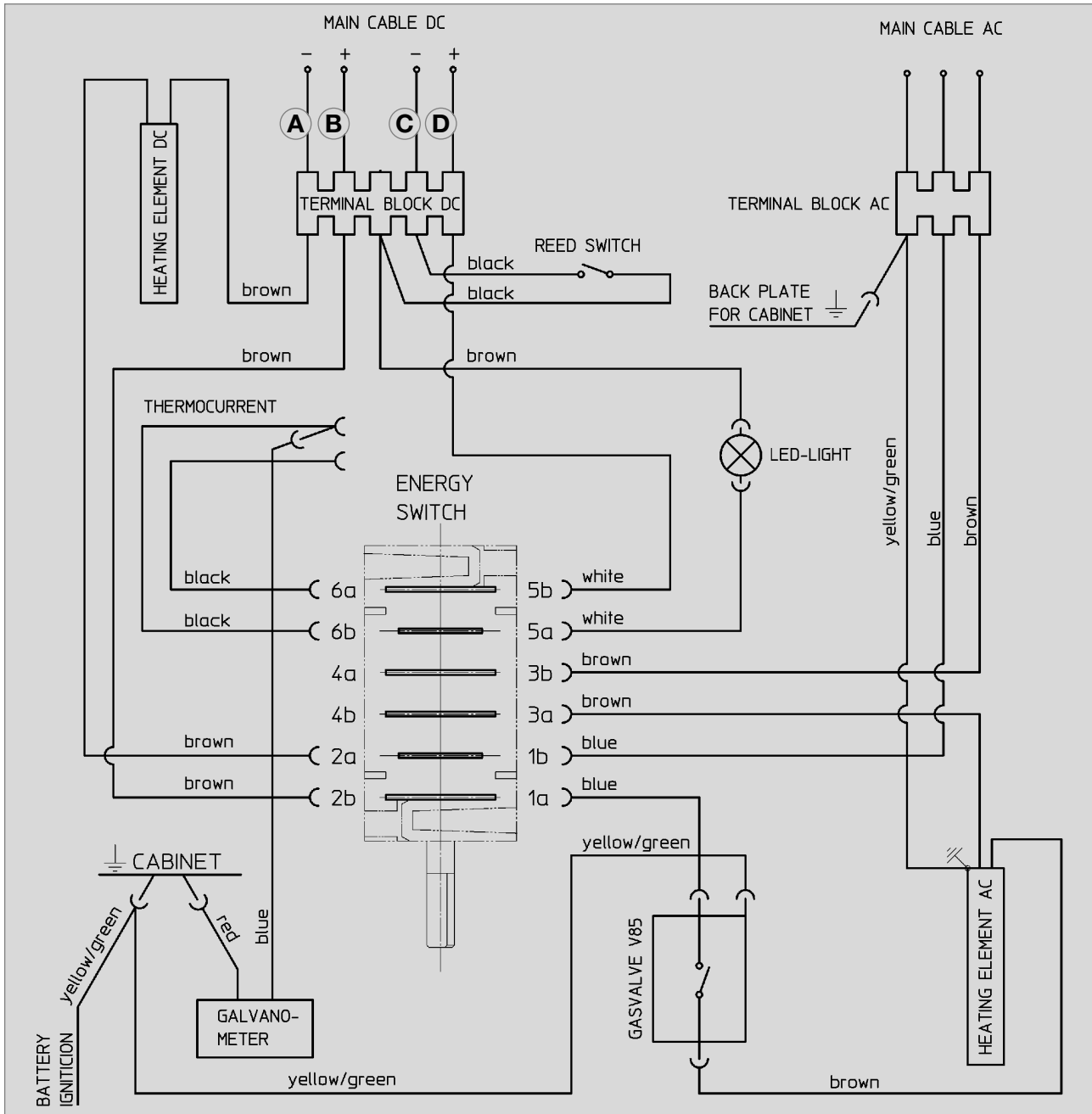


Fig. 44

#### Conexiones

- |                                  |  |
|----------------------------------|--|
| A = ground heating element 12VDC | A = Negativo elemento calentador 12 V CC |
| B = plus heating element 12VDC   | B = Positivo elemento calentador 12 V CC |
| C = ground interior light 12VDC  | C = Negativo iluminación 12 V CC         |
| D = plus interior light 12VDC    | D = Positivo iluminación 12 V CC         |

Esquema de conexiones RM(S) 8x1, RM(S) 8x5 :

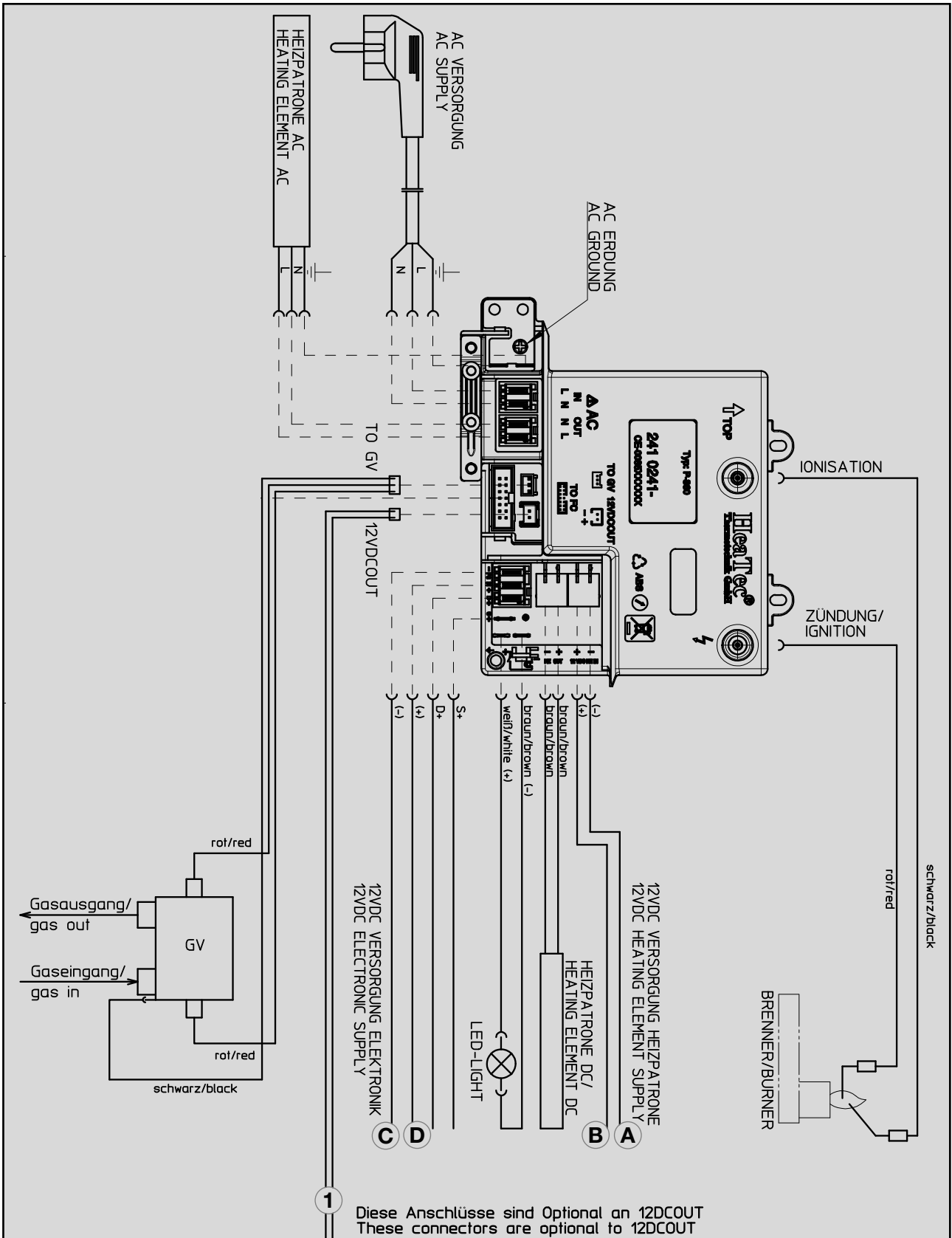


Fig. 45



## Ventilador (opcional) RM(S) 8xx1, RM(S) 8xx5 :

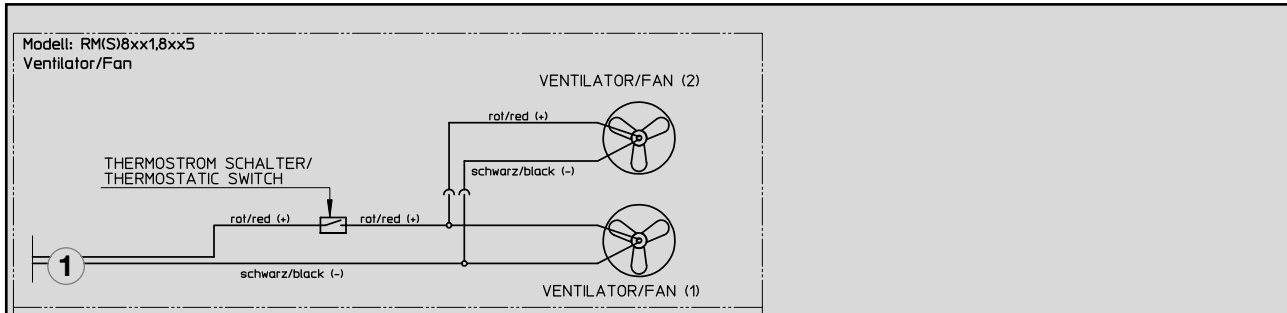


Fig. 46

- ① = 12V OUT / Abastecimiento 12V para conexiones opcionales
- Ⓐ = Negativo elemento calentador 12 V CC
- Ⓑ = Positivo elemento calentador 12 V CC
- Ⓒ = Negativo electrónica 12 V CC
- Ⓓ = Positivo electrónica 12 V CC



**Para el funcionamiento de los tipos de aparatos MES y AES estará prohibido conectar un abastecimiento continuo de 12 V a los bornes C/D (abastecimiento continuo para la electrónica funcional).**

### Leyenda

Connecting cable DC	Cable de conexión CC
Mains cable AC	Cable de conexión red
Terminal block	Regleta de bornes
GROUND	Puesta a tierra
Heating element DC	Elemento calentador CC
Heating element AC	Elemento calentador CA
Frame heater	Calefacción del marco
Reed-switch	Contacto Reed / Conmutador de iluminación
Thermal switch	Conmutador térmico
Temperature sensor	Sensor de temperatura
Electronic	Electrónica
Burner control device GFA	Sist. autom. de calefacción a gas GFA
Gas valve GV 100	Válvula de gas GV 100
Gas burner	Quemador de gas
violet	violeta
red	rojo
white / red	blanco/rojo
brown	marrón
black	negro
white	blanco
yellow/green	amarillo/verde
blue	azul





**GERMANY****Dometic WAECO International GmbH**

Hollefeldstraße 63 · D-48282 Emsdetten

☎ +49 (0) 2572 879-195 · 📠 +49 (0) 2572 879-322

Mail: info@dometic-waeco.de

**dometic.com****AUSTRALIA****Dometic Australia Pty. Ltd.**1 John Duncan Court  
Varsity Lakes QLD 4227

☎ 1800 212121

☎ +61 7 55076001

Mail: sales@dometic.com.au

**AUSTRIA****Dometic Austria GmbH**

Neudorferstraße 108

A-2353 Guntramsdorf

☎ +43 2236 908070

☎ +43 2236 90807060

Mail: info@dometic.at

**BENELUX****Dometic Branch Office Belgium**

Zincstraat 3

B-1500 Halle

☎ +32 2 3598040

☎ +32 2 3598050

Mail: info@dometic.be

**BRAZIL****Dometic DO Brasil LTDA**

Avenida Paulista 1754, conj. 111

SP 01310-920 Sao Paulo

☎ +55 11 3251 3352

☎ +55 11 3251 3362

Mail: info@dometic.com.br

**DENMARK****Dometic Denmark A/S**

Nordensvej 15, Taulov

DK-7000 Fredericia

☎ +45 75585966

☎ +45 75586307

Mail: info@dometic.dk

**FINLAND****Dometic Finland OY**

Mestarintie 4

FIN-01730 Vantaa

☎ +358 20 7413220

☎ +358 9 7593700

Mail: info@dometic.fi

**FRANCE****Dometic SAS**

ZA du Pré de la Dame Jeanne

B.P. 5

F-60128 Plailly

☎ +33 3 44633525

☎ +33 3 44633518

Mail: vehiculesdeloisirs@dometic.fr

**HONG KONG****Dometic Group Asia Pacific**

Suites 2207-11 · 22/F · Tower 1

The Gateway · 25 Canton Road,

Tsim Sha Tsui · Kowloon

☎ +852 2 4611386

☎ +852 2 4665553

Mail: info@waeco.com.hk

**HUNGARY****Dometic Zrt. Sales Office**

Kerékgyártó u. 5.

H-1147 Budapest

☎ +36 1 468 4400

☎ +36 1 468 4401

Mail: budapest@dometic.hu

**ITALY****Dometic Italy S.r.l.**

Via Virgilio, 3

I-47122 Forlì (FC)

☎ +39 0543 754901

☎ +39 0543 754983

Mail: vendite@dometic.it

**JAPAN****Dometic KK**

Maekawa-Shibaura, Bldg. 2

2-13-9 Shibaura Minato-ku

Tokyo 108-0023

☎ +81 3 5445 3333

☎ +81 3 5445 3339

Mail: info@dometic.jp

**MEXICO****Dometic Mx, S. de R. L. de C. V.**

Circuito Médicos No. 6 Local 1

Colonia Ciudad Satélite

CP 53100 Naucalpan de Juárez

Estado de México

☎ +52 55 5374 4108

☎ +52 55 5393 4683

Mail: info@dometic.com.mx

**NETHERLANDS****Dometic Benelux B.V.**

Ecustraat 3

NL-4879 NP Etten-Leur

☎ +31 76 5029000

☎ +31 76 5029019

Mail: info@dometic.nl

**NEW ZEALAND****Dometic New Zealand Ltd.**

PO Box 12011

Penrose

Auckland 1642

☎ +64 9 622 1490

☎ +64 9 622 1573

Mail: customerservices@dometic.co.nz

**NORWAY****Dometic Norway AS**

Østerøyveien 46

N-3232 Sandefjord

☎ +47 33428450

☎ +47 33428459

Mail: firmapost@dometic.no

**POLAND****Dometic Poland Sp. z o.o.**

Ul. Puławska 435A

PL-02-801 Warszawa

☎ +48 22 414 3200

☎ +48 22 414 3201

Mail: info@dometic.pl

**PORTUGAL****Dometic Spain, S.L.**

Branch Office em Portugal

Rot. de São Gonçalo nº 1 – Esc. 12

2775-399 Carcavelos

☎ +351 219 244 173

☎ +351 219 243 206

Mail: info@dometic.pt

**RUSSIA****Dometic RUS LLC**

Komsomolskaya square 6-1

RU-107140 Moscow

☎ +7 495 780 79 39

☎ +7 495 916 56 53

Mail: info@dometic.ru

**SINGAPORE****Dometic Pte Ltd**

18 Boon Lay Way 06-140 Trade Hub 21

Singapore 609966

☎ +65 6795 3177

☎ +65 6862 6620

Mail: dometic@dometic.com.sg

**SLOVAKIA****Dometic Slovakia s.r.o. Sales Office Bratislava**

Nádražná 34/A

900 28 Ivánka pri Dunaji

☎/☎ +421 2 45 529 680

Mail: bratislava@dometic.com

**SOUTH AFRICA****Dometic (Pty) Ltd.****Regional Office****South Africa & Sub-Saharan Africa**

2 Avalon Road

West Lake View Ext 11

Modderfontein 1645

Johannesburg

☎ +27 11 4504978

☎ +27 11 4504976

Mail: info@dometic.co.za

**SPAIN****Dometic Spain S.L.**

Avda. Sierra del Guadarrama, 16

E-28691 Villanueva de la Cañada

Madrid

☎ +34 902 111 042

☎ +34 900 100 245

Mail: info@dometic.es

**SWEDEN****Dometic Scandinavia AB**

Gustaf Melins gata 7

S-42131 Västra Frölunda

☎ +46 31 7341100

☎ +46 31 7341101

Mail: info@dometicgroup.se

**SWITZERLAND****Dometic Switzerland AG**

Riedackerstrasse 7a

CH-8153 Rümlang

☎ +41 44 8187171

☎ +41 44 8187191

Mail: info@dometic.ch

**UNITED ARAB EMIRATES****Dometic Middle East FZCO**

P. O. Box 17860

S-D 6, Jebel Ali Freezone

Dubai

☎ +971 4 883 3858

☎ +971 4 883 3868

Mail: info@dometic.ae

**UNITED KINGDOM****Dometic UK Ltd.**

Dometic House, The Brewery

Blandford St. Mary

Dorset DT11 9LS

☎ +44 344 626 0133

☎ +44 344 626 0143

Mail: customerservices@dometic.co.uk

**USA****Dometic RV Division**

1120 North Main Street

Elkhart, IN 46515

☎ +1 574-264-2131