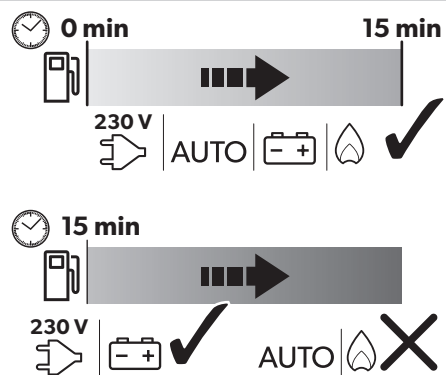


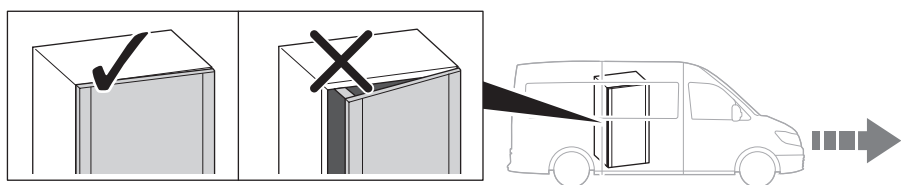
↔ **DOMETIC**

**RM10.5(S)(G)(T)(P)**  
**RMS10.5X(S)(G)(T)(P)**

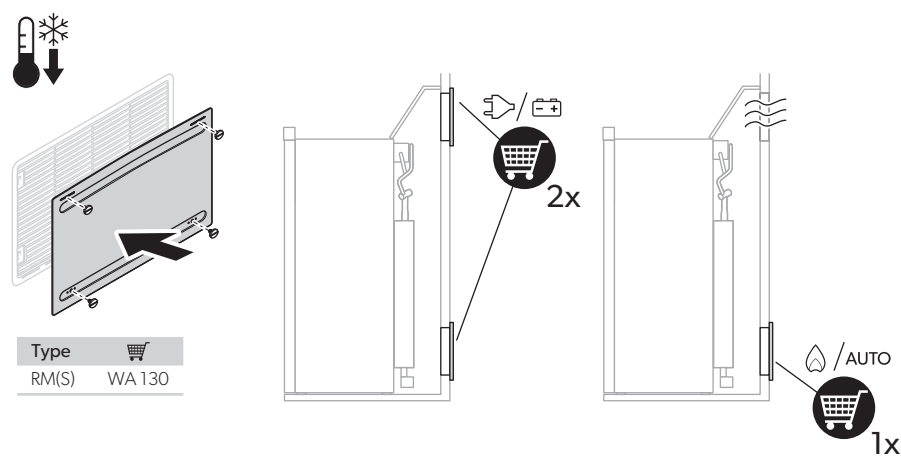
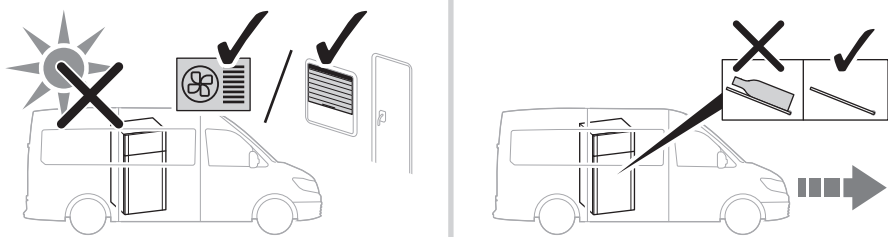
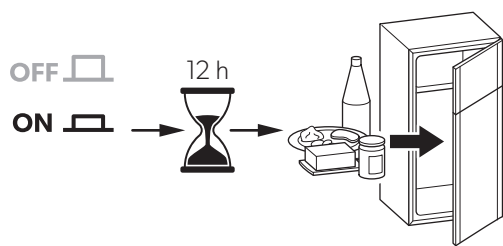
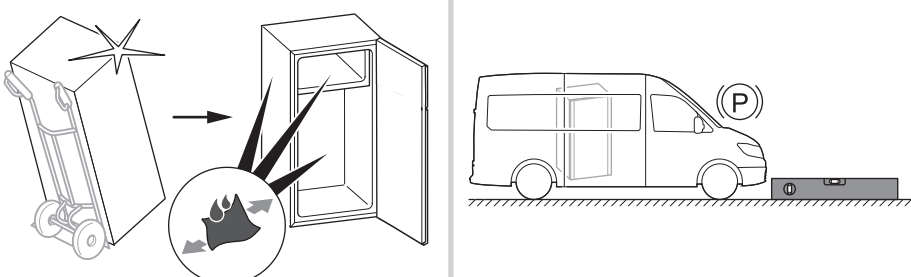
**WARNING**



**CAUTION**



**NOTICE**



**ON**

**1** RM10.5S, RM10.5G, RM10.5P, RMS10.5S, RMS10.5G, RMS10.5P, RMS10.5XS, RMS10.5XG, RMS10.5XP

RM10.5T, RMS10.5T, RMS10.5XT



**OFF**

**2** RM10.5S, RM10.5G, RM10.5P, RMS10.5S, RMS10.5G, RMS10.5P, RMS10.5XS, RMS10.5XG, RMS10.5XP

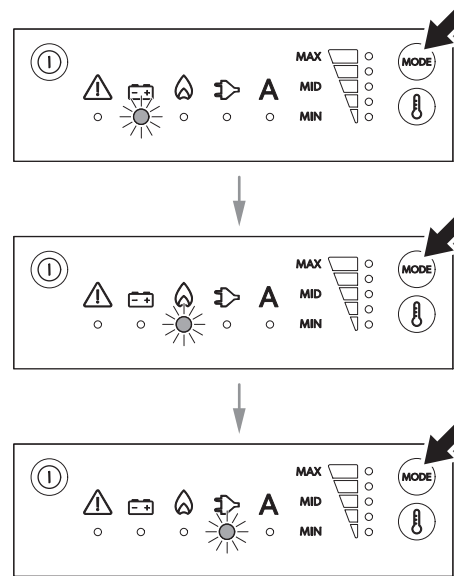
RM10.5T, RMS10.5T, RMS10.5XT



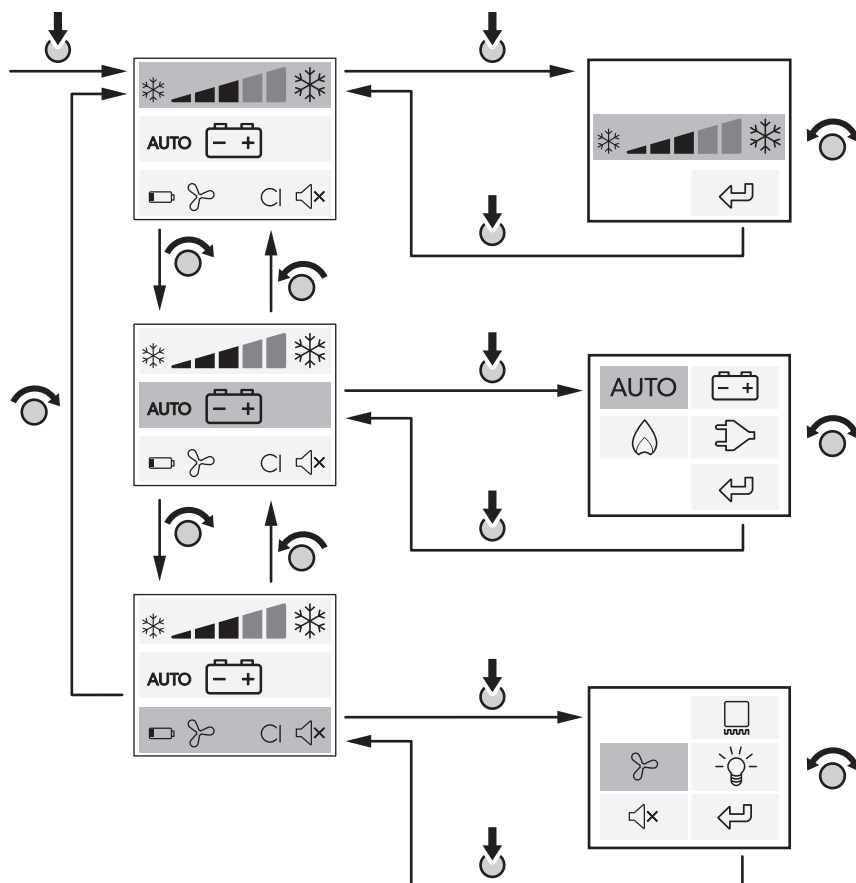
**Operation**

**3**

RM10.5S, RM10.5G, RM10.5P, RMS10.5S, RMS10.5G, RMS10.5P, RMS10.5XS, RMS10.5XG, RMS10.5XP



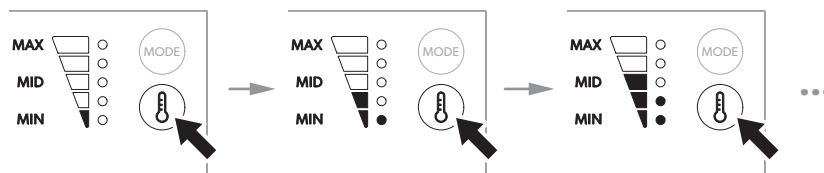
RM10.5T, RMS10.5T, RMS10.5XT



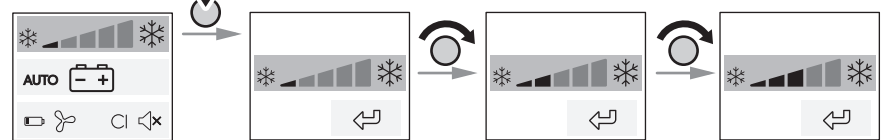
**Cooling Capacity**

**4**

RM10.5S, RM10.5G, RM10.5P, RMS10.5S, RMS10.5G, RMS10.5P, RMS10.5XS, RMS10.5XG, RMS10.5XP

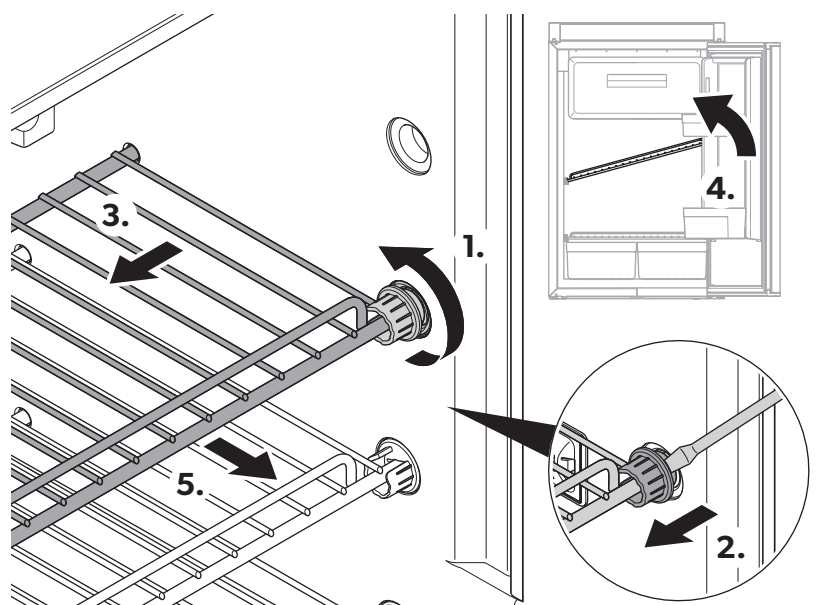


RM10.5T, RMS10.5T, RMS10.5XT



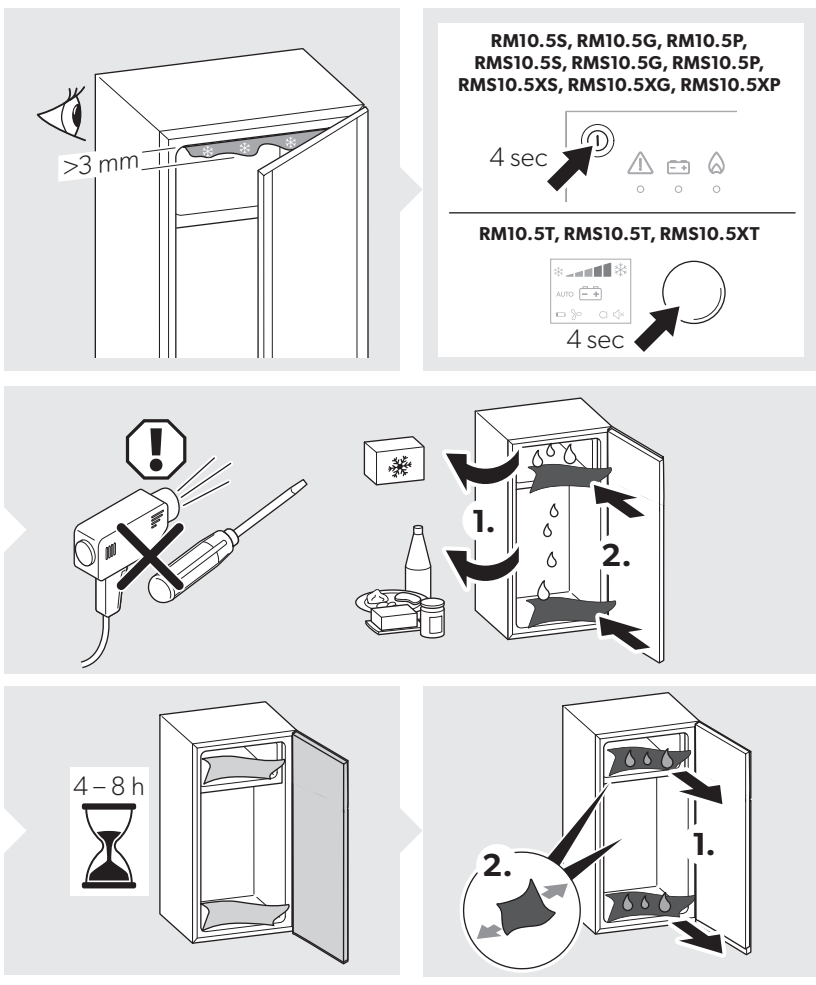
**Shelves**

**5**



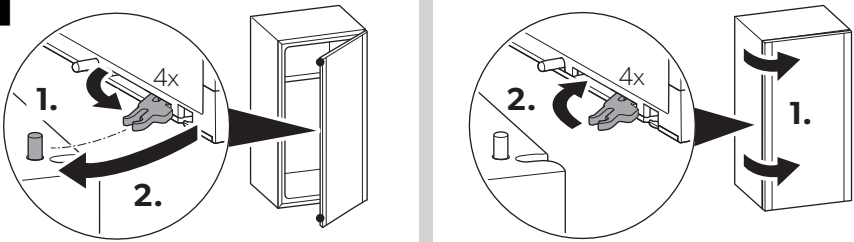
Defrost

6



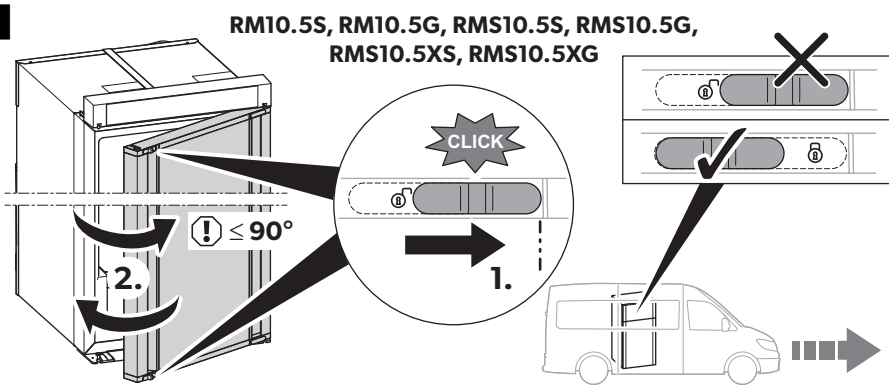
Winter

7



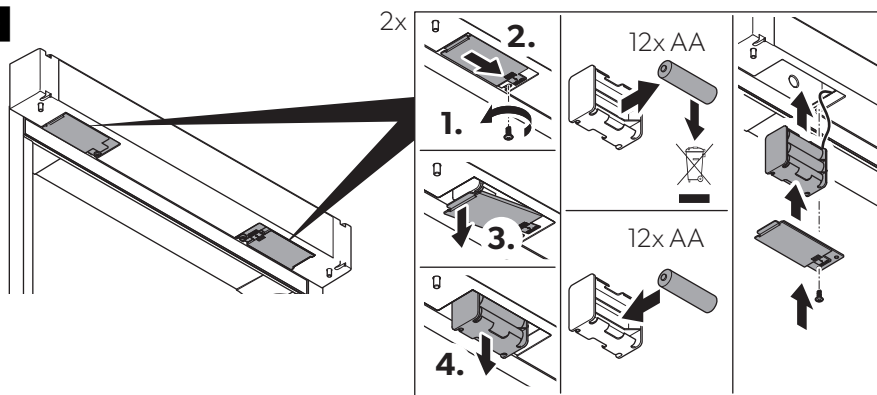
Releasing Door

8



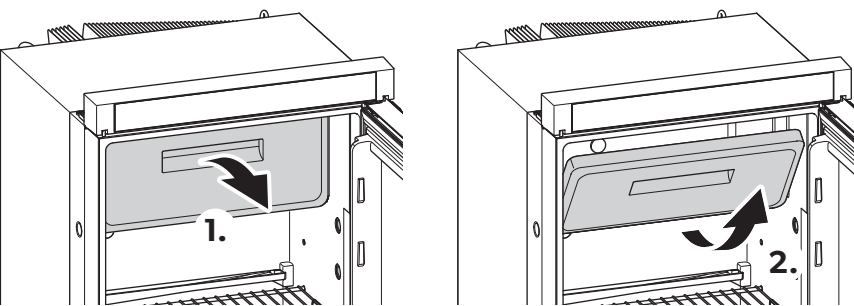
Batteries

9



Removing Freezer

10



Cleaning Gas Burner

11

