

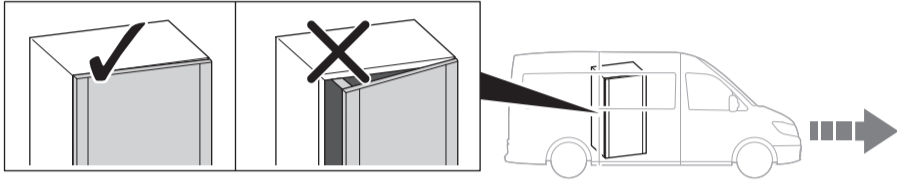
**DOMETIC**

**RC 10.4S.70, RC 10.4T.70,  
RC 10.4S.90, RC 10.4T.90,  
RC 10.4M.90, RC 10.4P.100  
RCS 10.5 (S/T/XS/XT)  
RCL 10.4 (E/ES/ET)  
RCD 10.5 (S/T/XS/XT)**

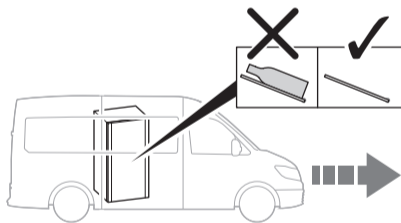
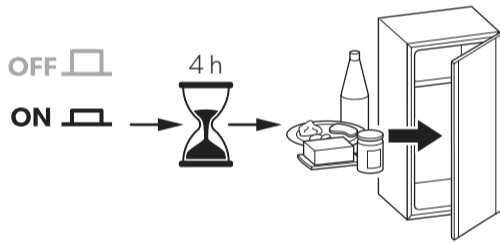
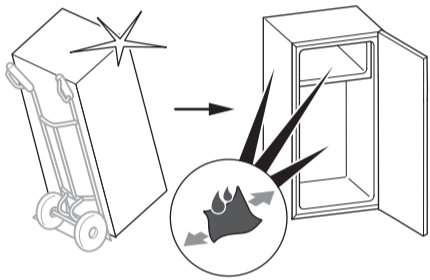
**WARNING**



**CAUTION**



**NOTICE**



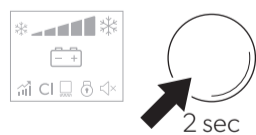
**ON**

**1**

**RCS 10.5(X)(S)  
RCL 10.4(E)S / RCD 10.5(X)(S)  
RC 10.4S.70 / RC 10.4S.90  
RC 10.4M.90 / RC 10.4P.100**



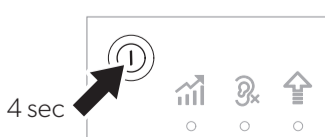
**RCS 10.5(X)(T)  
RCL 10.4(E)T / RCD 10.5(X)(T)  
RC 10.4T.70 / RC 10.4T.90**



**OFF**

**2**

**RCS 10.5(X)(S)  
RCL 10.4(E)S / RCD 10.5(X)(S)  
RC 10.4S.70 / RC 10.4S.90  
RC 10.4M.90 / RC 10.4P.100**



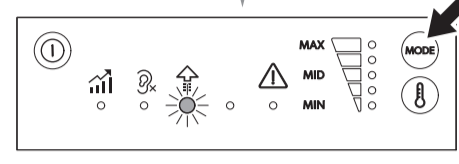
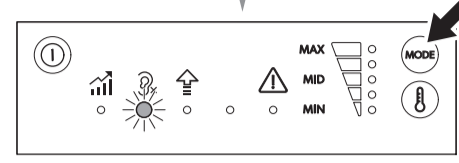
**RCS 10.5(X)(T)  
RCL 10.4(E)T / RCD 10.5(X)(T)  
RC 10.4T.70 / RC 10.4T.90**



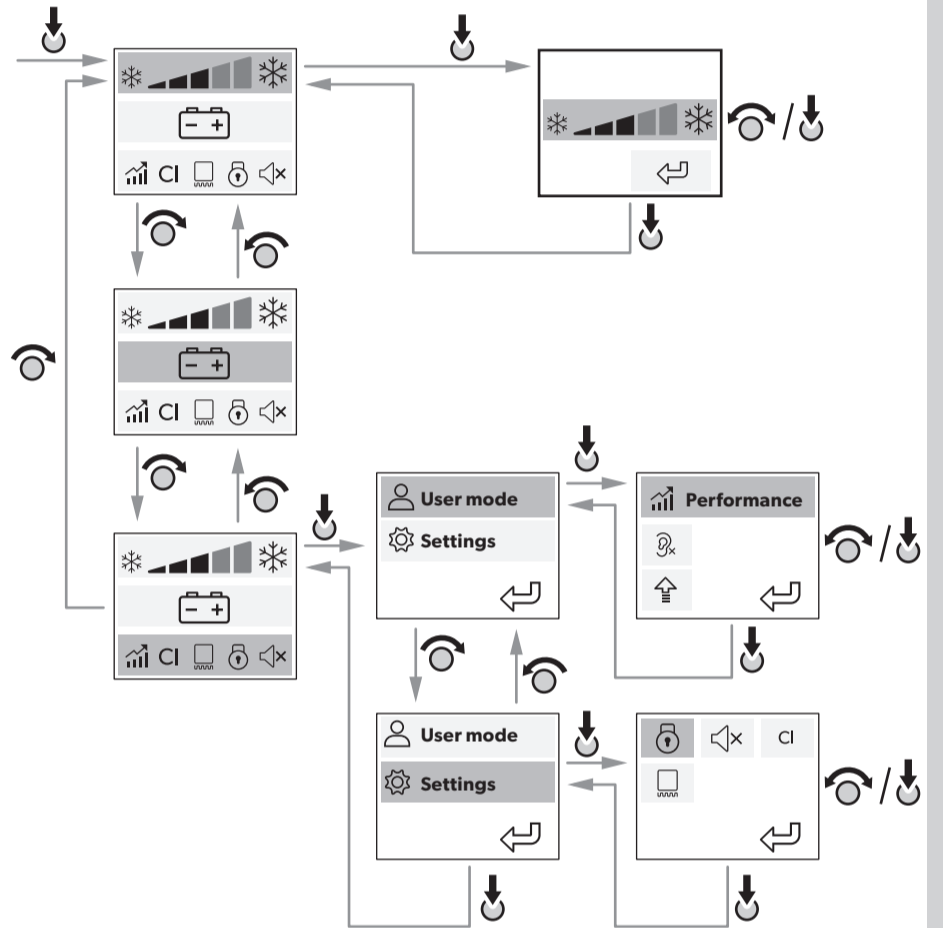
**Operation**

**3**

**RCL 10.4(E)S / RCD 10.5(X)(S) / RCS 10.5(X)(S)  
RC 10.4S.70 / RC 10.4S.90 / RC 10.4M.90 / RC 10.4P.100**



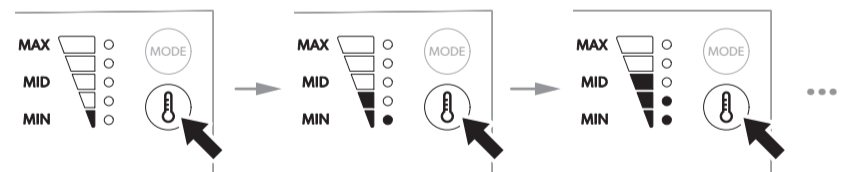
**RCL 10.4(E)T / RCD 10.5(X)(T) / RCS 10.5(X)(T)  
RC 10.4T.70 / RC 10.4T.90**



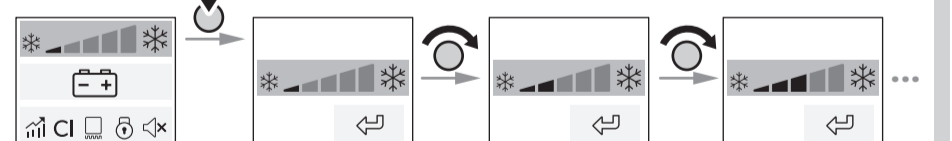
**Cooling Capacity**

**4**

**RCL 10.4(E)S / RCD 10.5(X)(S) / RCS 10.5(X)(S)  
RC 10.4S.70 / RC 10.4S.90 / RC 10.4M.90 / RC 10.4P.100**

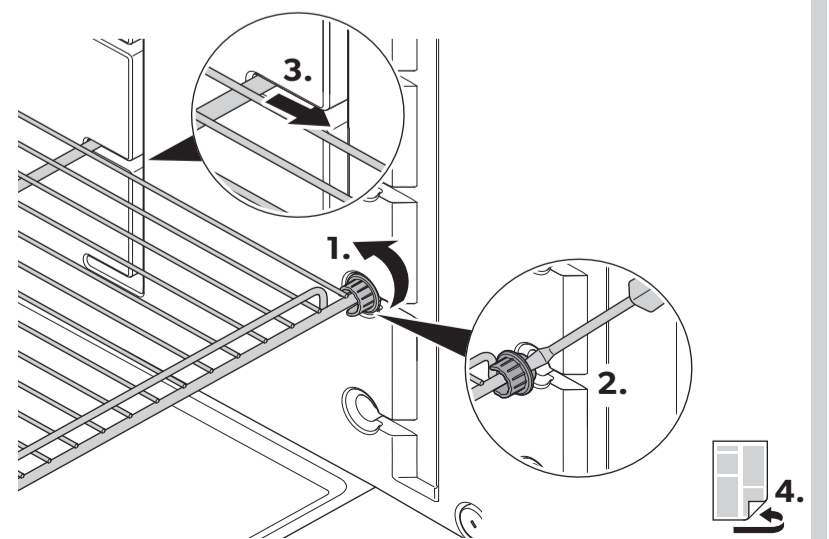


**RCL 10.4(E)T / RCD 10.5(X)(T) / RCS 10.5(X)(T)  
RC 10.4T.70 / RC 10.4T.90**

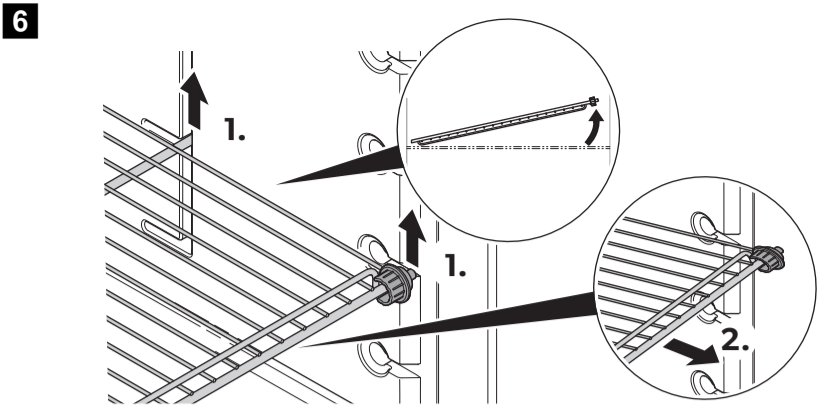


**Shelves**

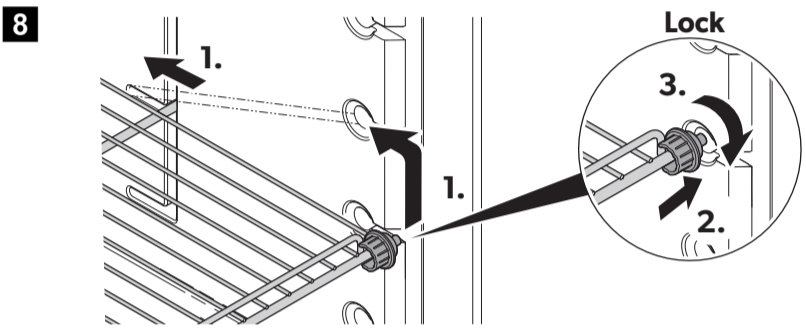
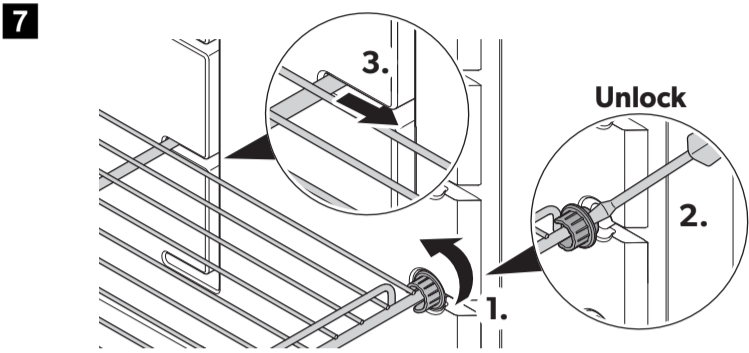
**5**



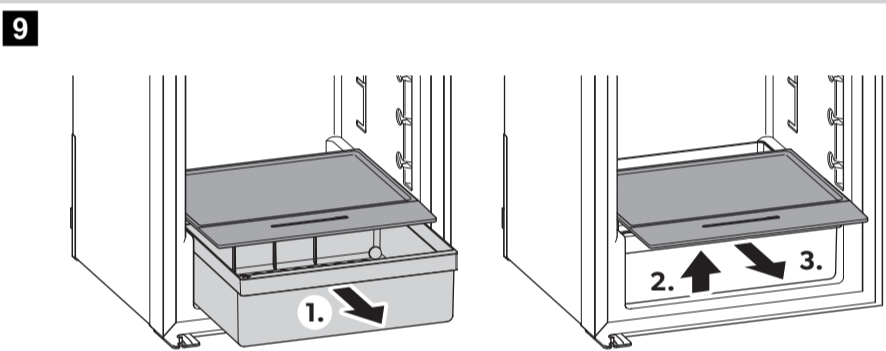
Shelves



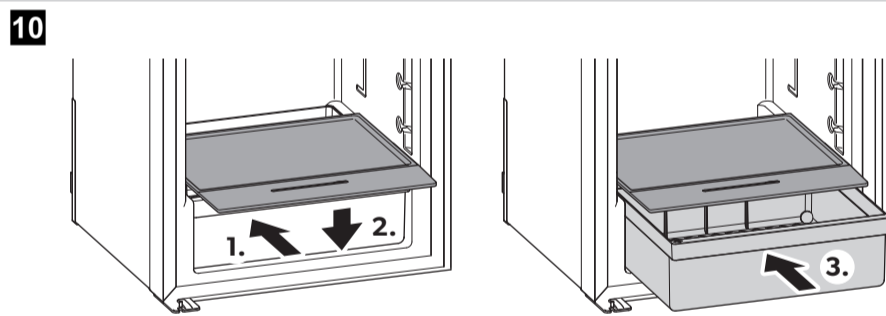
Shelf Angle



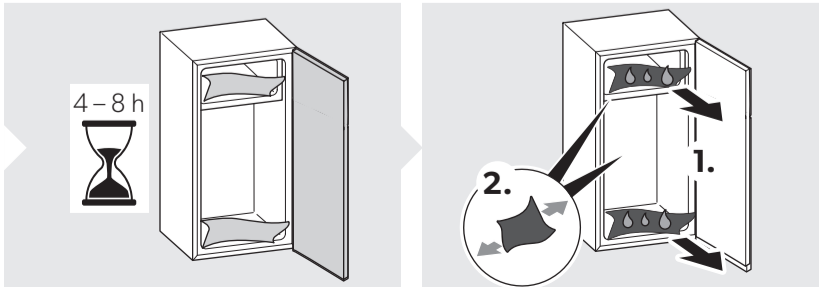
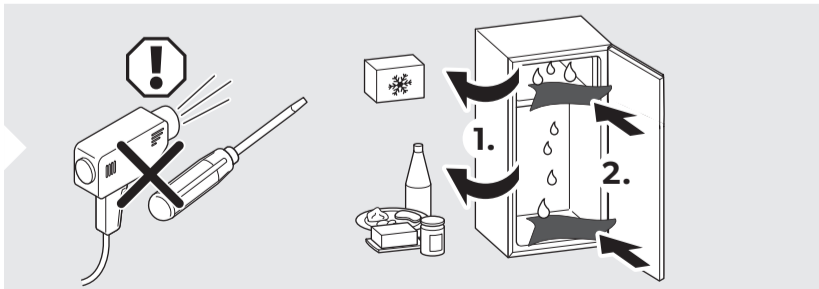
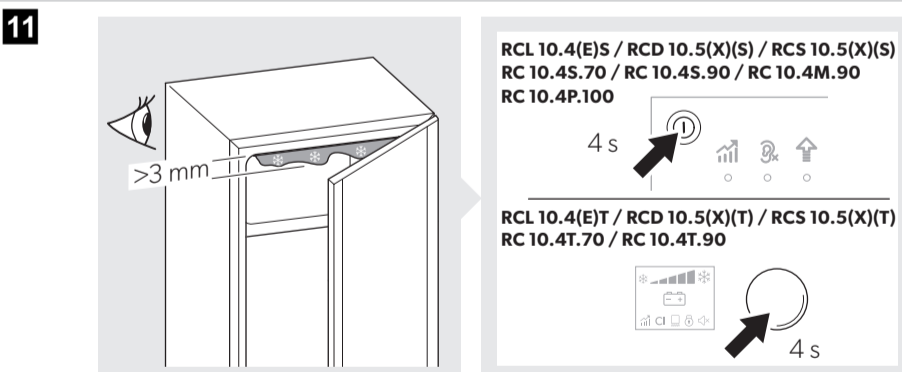
VG Fresh Base Out



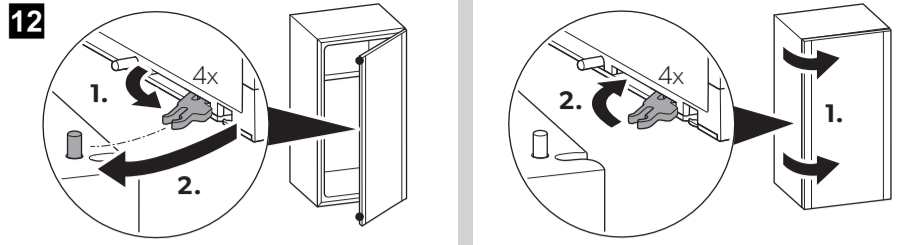
VG Fresh Base In



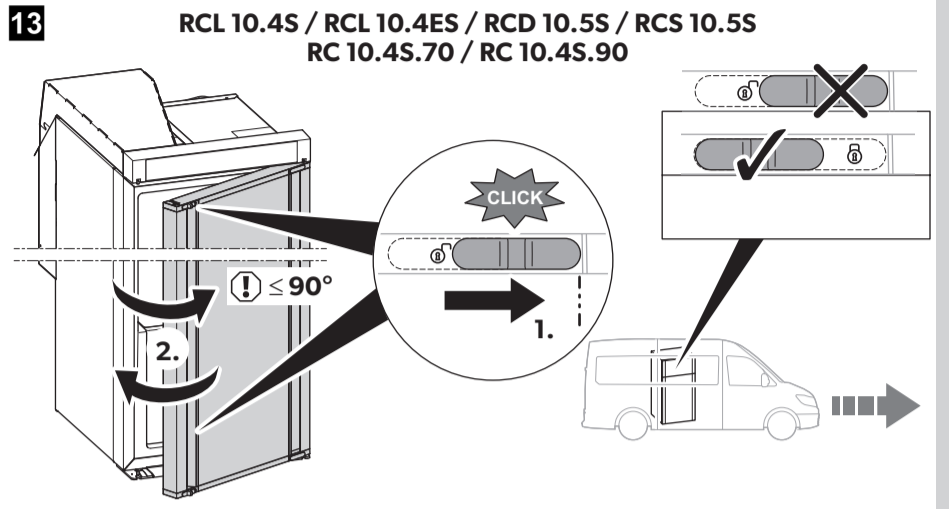
Defrost



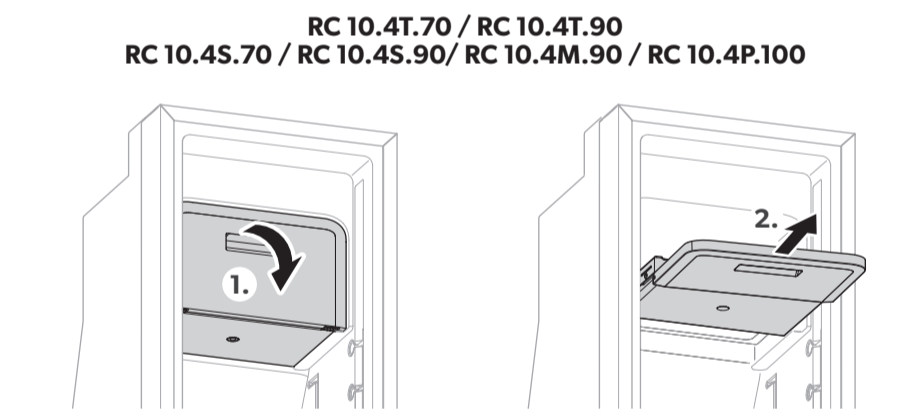
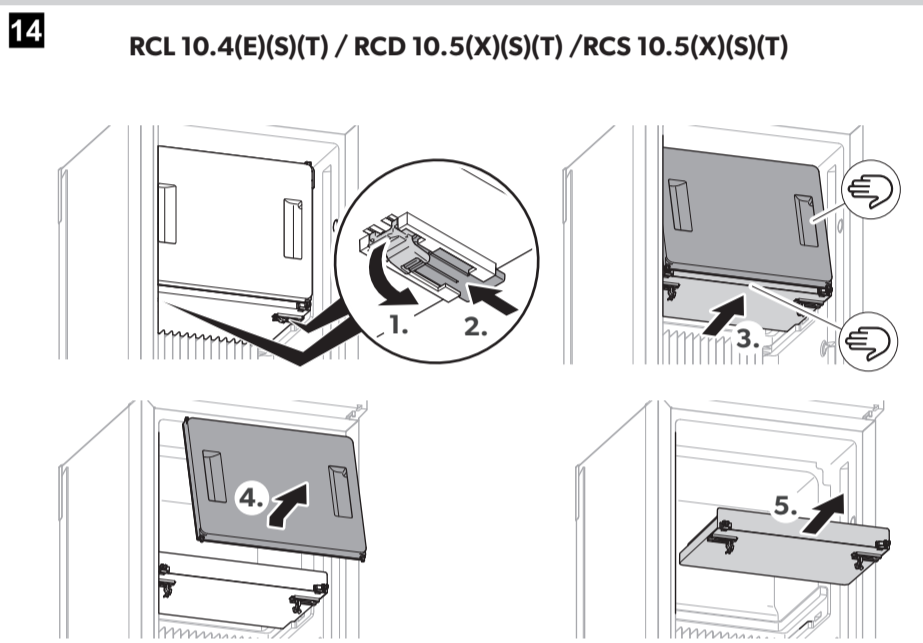
Winter



Releasing Door



Removing Freezer



YOUR LOCAL DEALER  
dometic.com/dealer

YOUR LOCAL SUPPORT  
dometic.com/contact



A complete list of Dometic companies, which comprise the Dometic Group, can be found in the public filings of:  
DOMETIC GROUP AB Hemväringstgatan 15 SE-17154 Solna Sweden