

GUIDE WIRE HOLD DOWNS ACCESSORIES

Order Form and Product Guide

Customer _____ Tel _____
 Address _____ Mobile _____
 _____ Email _____

Order _____ Quote _____ Date _____
 Project Name _____
 Project Location _____

HOLD DOWN OPTION				
DOME HOLDDOWN	FLUSH MOUNT	LOW PROFILE	EXTENDED HOLDDOWN	WALL BRACKET
Chrome Nickel	Chrome Nickel Satin Satin Black	Bronze Chrome	Black Grey White	Grey Beige White
DOME HOLDDOWN - SPACERS				WALL BRACKET - WALL COVERS
Chrome				Grey Beige White

GUIDE WIRE HOLD DOWNS ACCESSORIES




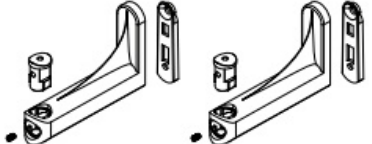
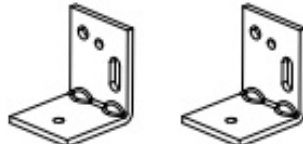
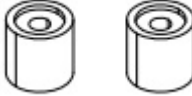
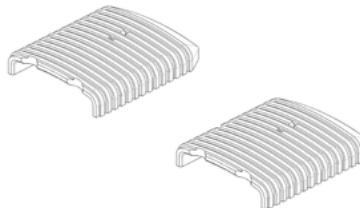
Order Form and Product Guide

Customer _____
 Address _____

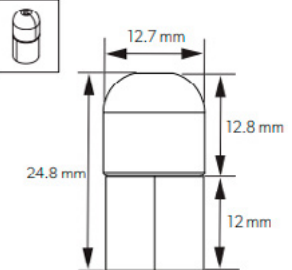
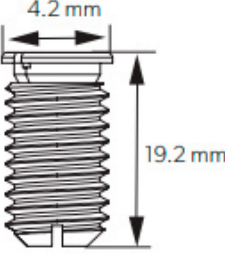
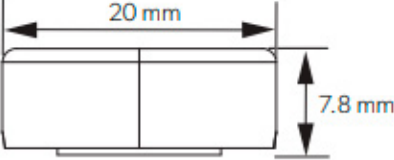
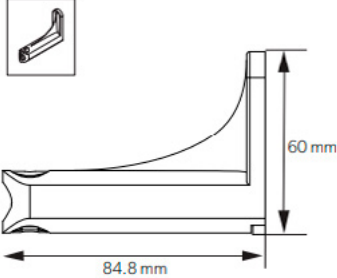
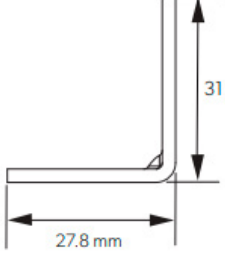
Tel _____
 Mobile _____
 Email _____

Order _____
 Quote _____
 Date _____
 Project Name _____
 Project Location _____

HOLD DOWN OPTION

DOME HOLDDOWN	FLUSH MOUNT	LOW PROFILE	EXTENDED HOLDDOWN	WALL BRACKET
				
DOMES HOLDDOWN - SPACERS				WALL BRACKET - WALL COVERS
				

DIMENSIONS

				
---	---	--	---	---