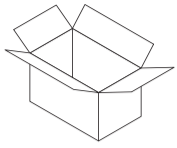
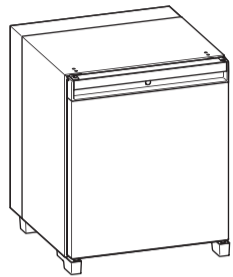


MODELS

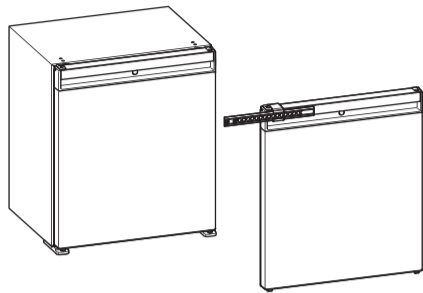


A30SFS/ A40SFS/ C60SFS

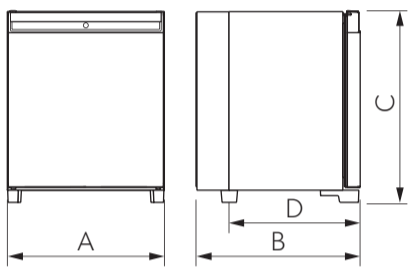


Type	A30/40	C60
R	●	●
L	●	●
R600A	—	●
NH ₃	●	—

A30SBI/ A40SBI/ C60SBI

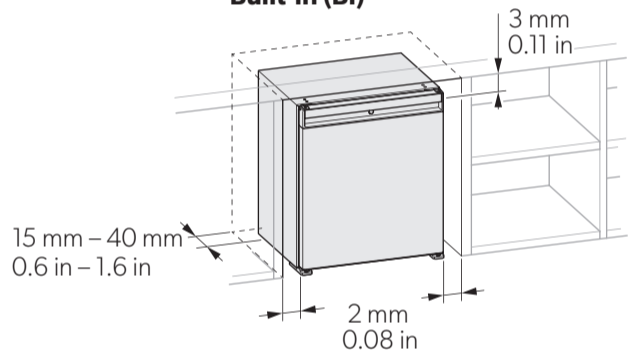


DIMENSIONS

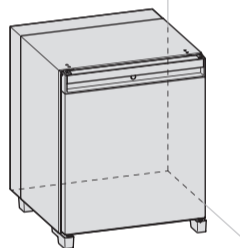


	A	B	C	D
A30SBI	384 mm 15.1 in	—	520 mm 20.5 in	446 mm 17.6 in
A40SBI	405 mm 15.9 in	—	550 mm 21.7 in	466 mm 18.3 in
C60SBI	490 mm 19.2 in	—	565 mm 22.2 in	510 mm 20.0 in
A30SFS	384 mm 15.1 in	463 mm 18.2 in	550 mm 21.7 in	356 mm 14.0 in
A40SFS	405 mm 15.9 in	483 mm 19.0 in	580 mm 22.8 in	376 mm 14.8 in
C60SFS	490 mm 19.2 in	519 mm 20.3 in	595 mm 23.4 in	410 mm 16.1 in

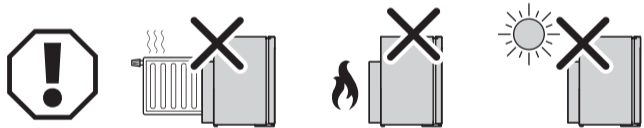
Built-in (BI)



Freestanding (FS)



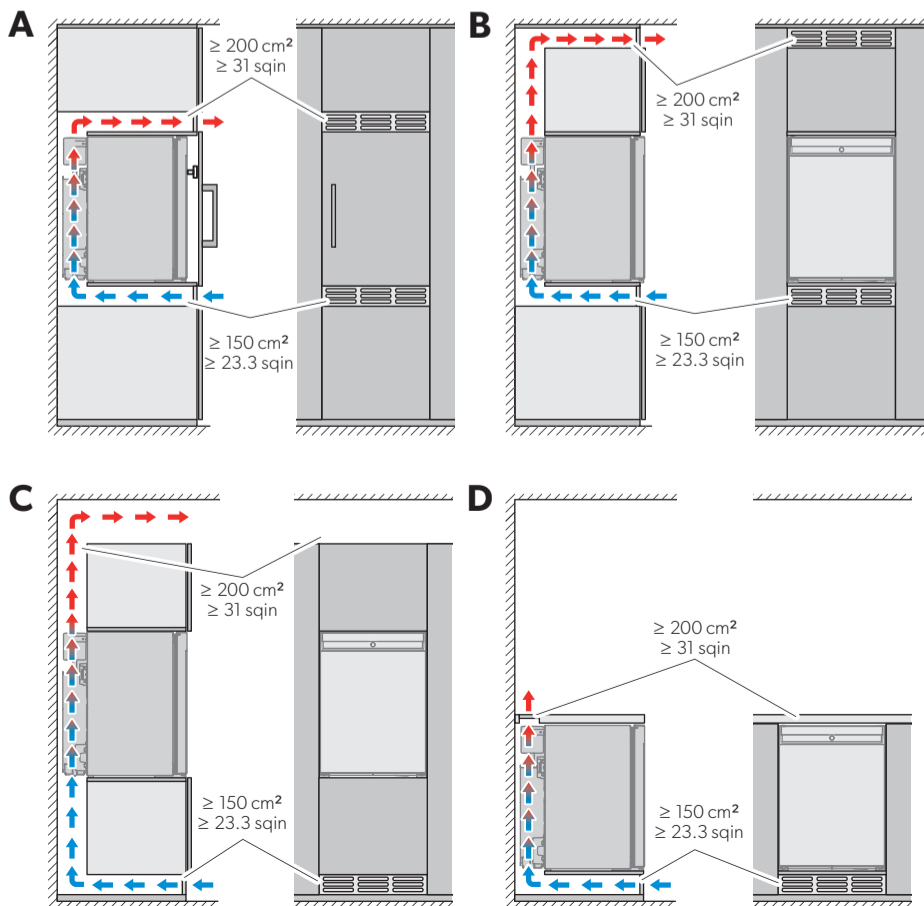
AIR FLOW



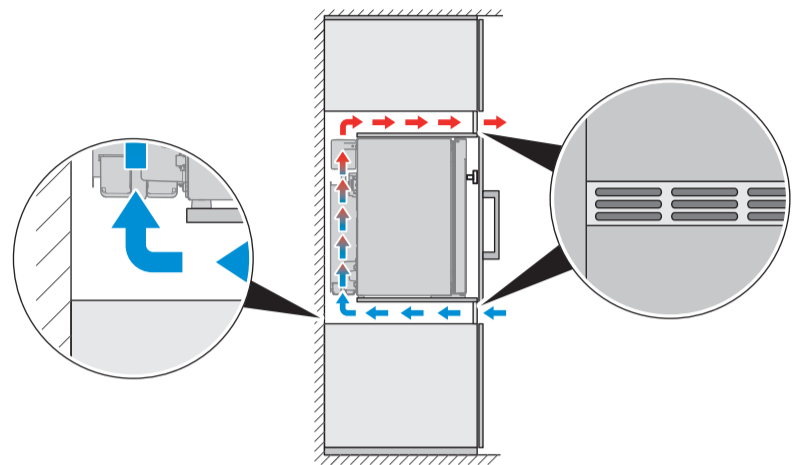
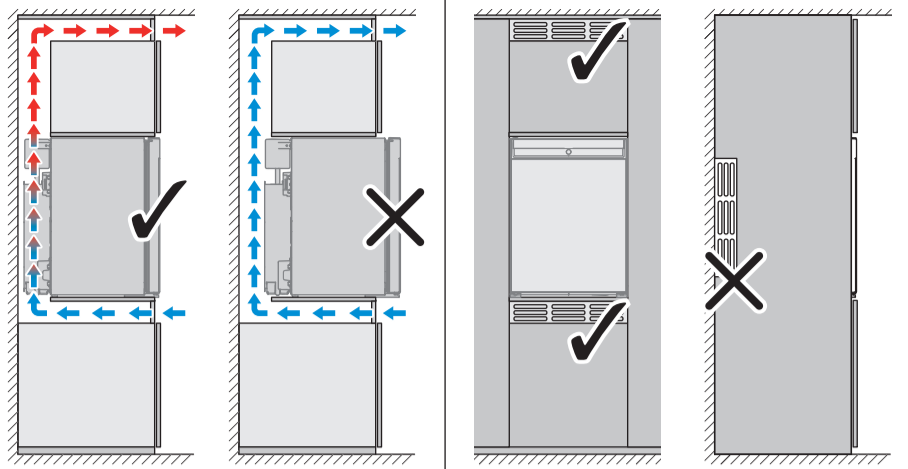
Scan this QR code to watch a video about the impact of air flow.
qr.dometic.com/bfAsBP



Insufficient air flow results in a shortened lifespan and a reduced cooling performance.
 Observe the minimum spacings when installing the mini fridge to furniture.

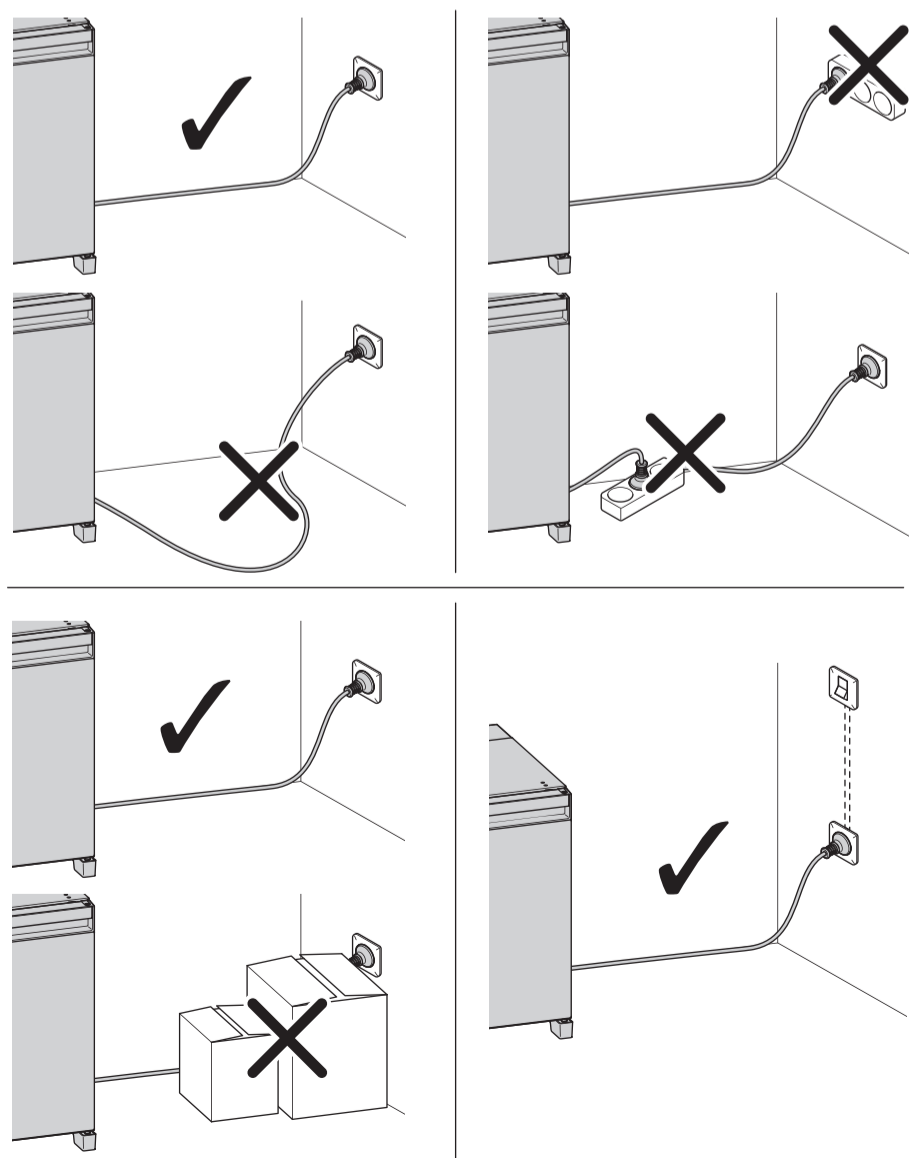
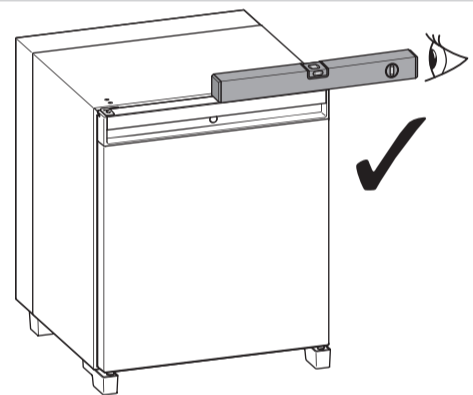


AIR FLOW

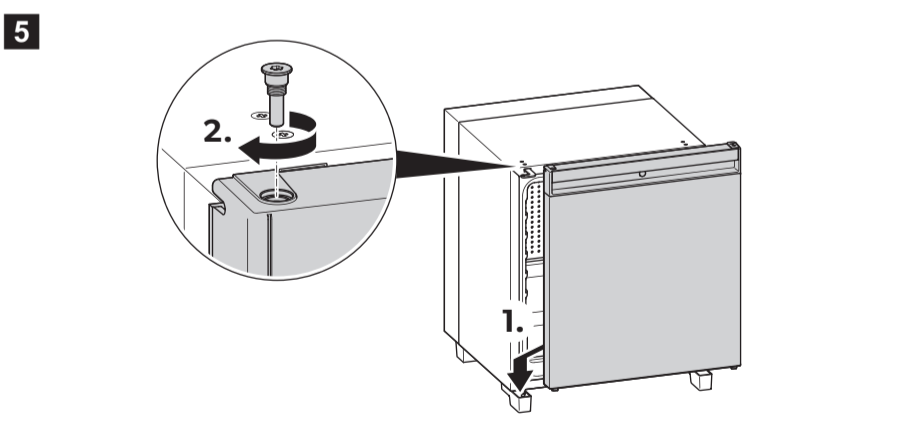
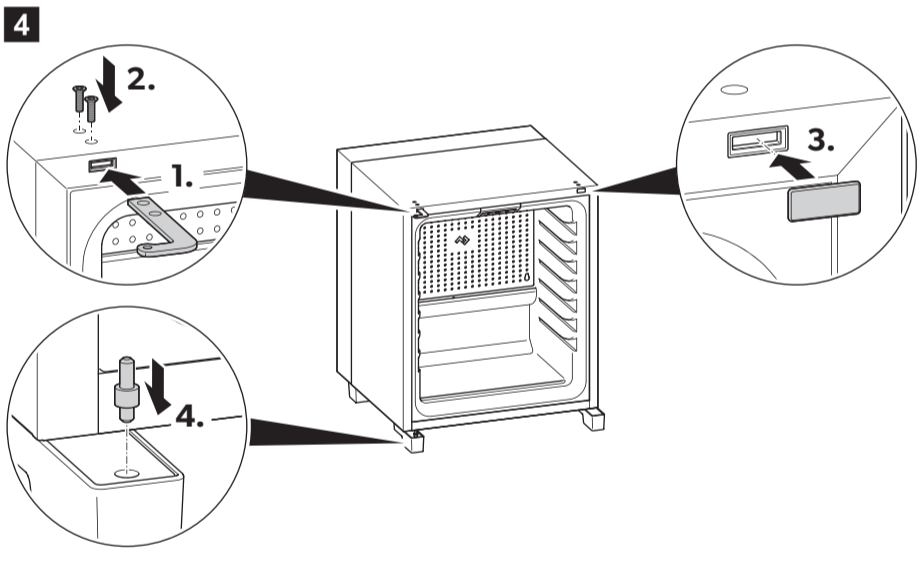
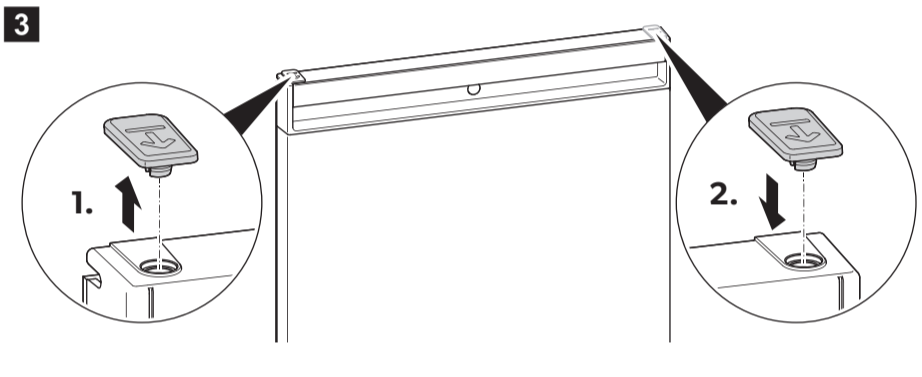
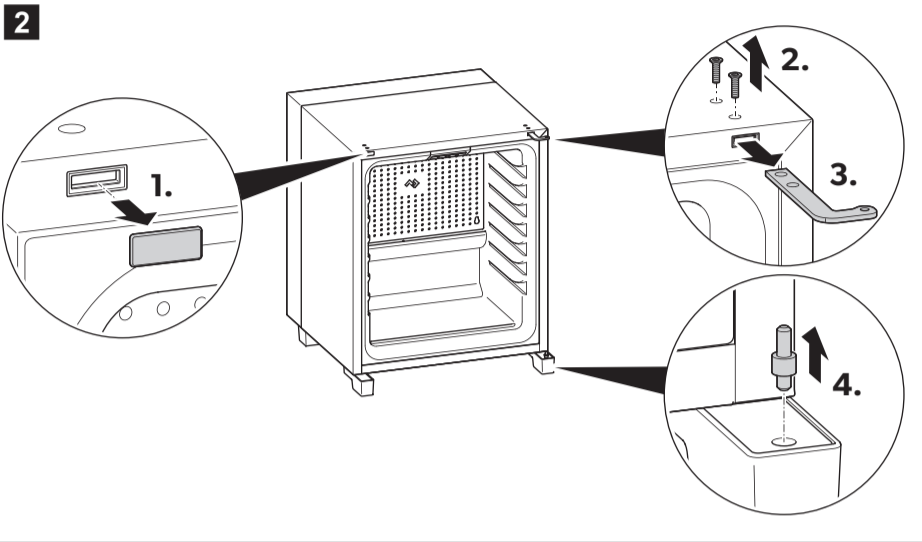
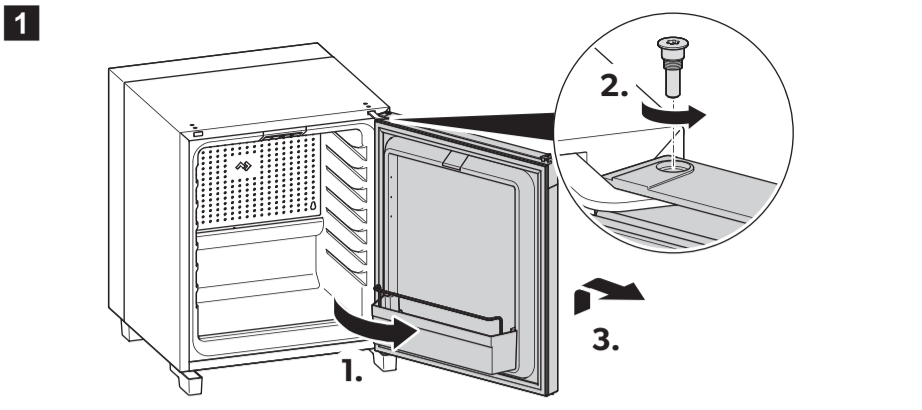


	Air inlet	Air outlet
A30, A40, C60	— + — + ≥ 150 cm ² 23.3 sqin	— + — + ≥ 200 cm ² 31 sqin

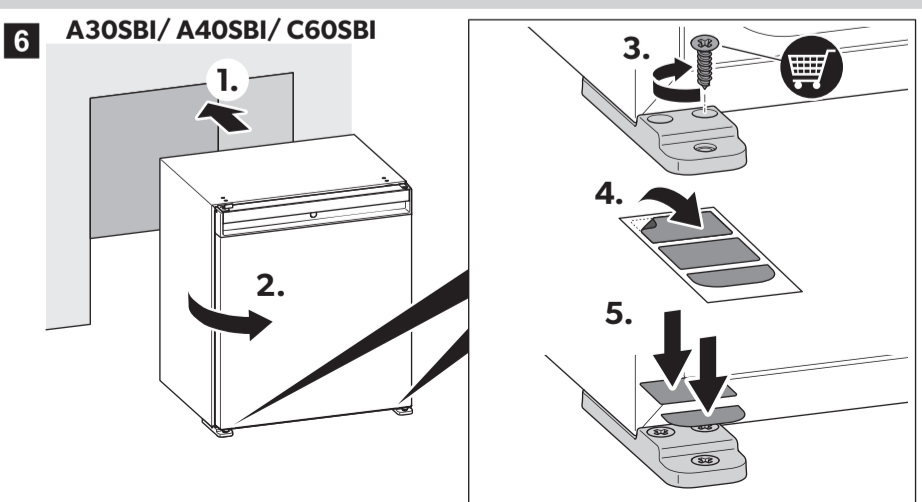
INSTALLATION NOTES



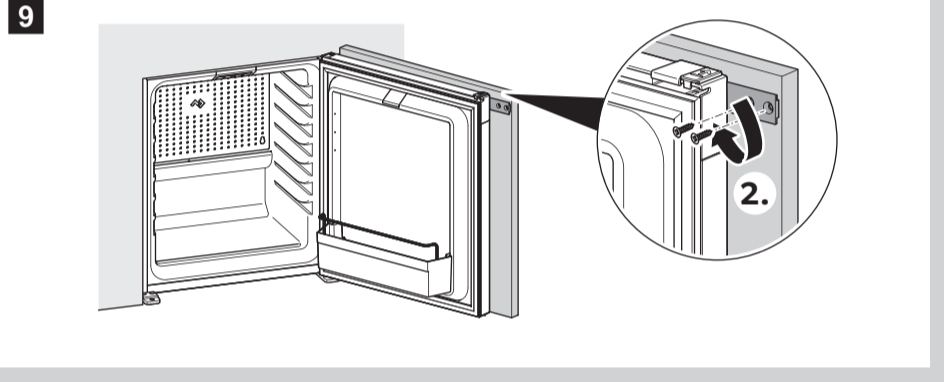
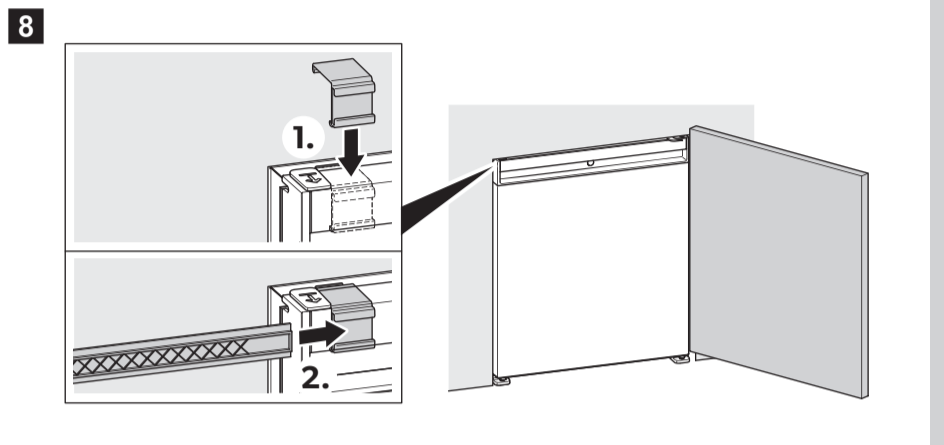
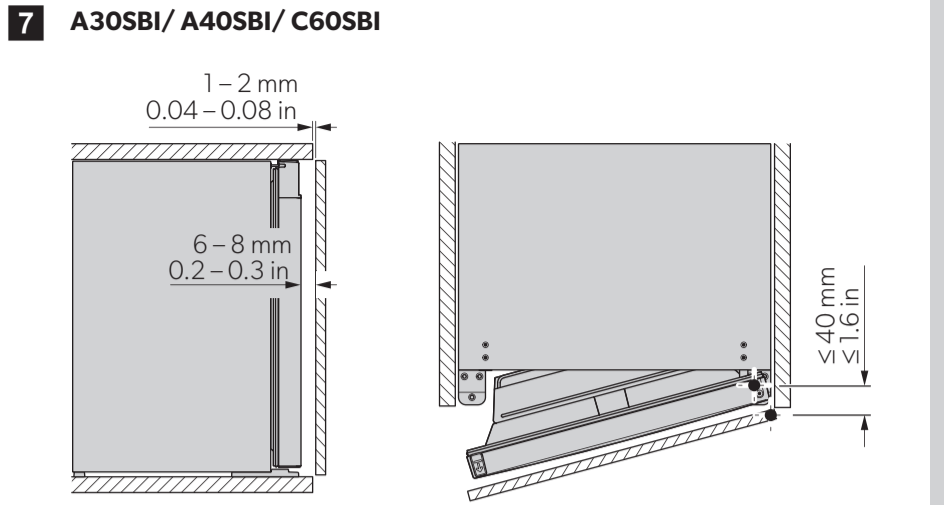
REVERSING DOOR



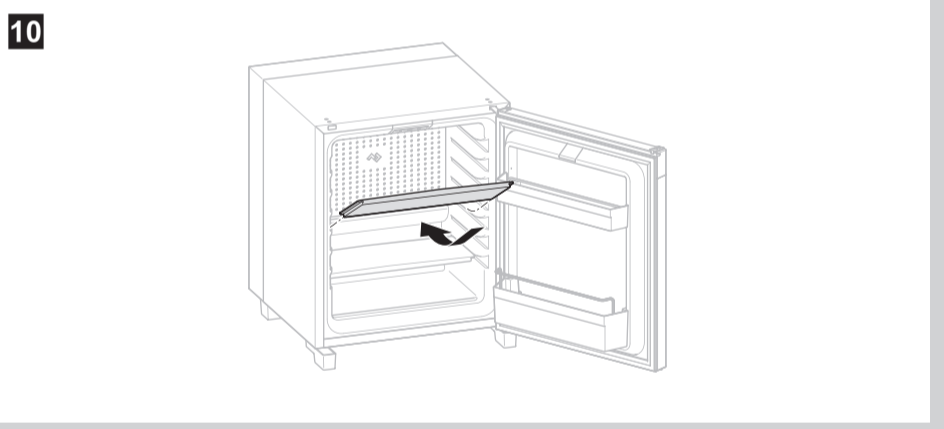
FIXING



SLIDING HINGE



SHELVES



DOOR LOCK

