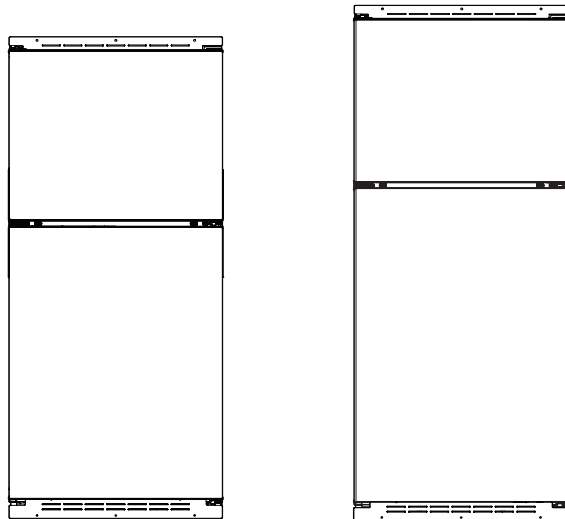




REFRIGERATION DMC



DMC4081 & DMC4101

EN **DMC Refrigerators**
Installation and Operation Manual 2

FR **Réfrigérateurs DMC**
Manuel d'installation et d'utilisation 18

WARNING: If the information in this manual is not followed exactly, a fire or explosion may result, causing property damage, personal injury, or death.

- Do not store or use gasoline or other flammable vapors and liquids in the vicinity of this or any other appliance.
- **WHAT TO DO IF YOU SMELL GAS**
 - Do not try to light any appliance.
 - Do not touch any electrical switch.
 - Do not use any phone in your recreational vehicle.
 - Clear the recreational vehicle of all occupants.
 - Turn off the gas supply tank valve(s) or main gas supply.
 - Immediately call your gas supplier for instructions.
 - If you cannot reach your gas supplier, call the fire department.
- Have the gas system checked and leakage source corrected by a qualified installer, service agency, manufacturer or dealer, or the gas supplier.

WARNING
Cancer and Reproductive Harm
www.P65Warnings.ca.gov



Service Center & Dealer Locations

Visit: www.dometic.com

Please read these instructions carefully and follow all instructions, guidelines, and warnings included in this product manual in order to ensure that you install, use, and maintain the product properly at all times. These instructions MUST stay with this product.

By using the product, you hereby confirm that you have read all instructions, guidelines, and warnings carefully and that you understand and agree to abide by the terms and conditions as set forth herein. You agree to use this product only for the intended purpose and application and in accordance with the instructions, guidelines, and warnings as set forth in this product manual as well as in accordance with all applicable laws and regulations. A failure to read and follow the instructions and warnings set forth herein may result in an injury to yourself and others, damage to your product, or damage to other property in the vicinity. This product manual, including the instructions, guidelines, and warnings, and related documentation, may be subject to changes and updates. For up-to-date product information, please visit www.dometic.com.

Contents

1 Explanation of Symbols and Safety Instructions 2

1.1 Recognize Safety Information 2

1.2 Understand Signal Words 2

1.3 Supplemental Directives 3

1.4 General Safety Messages 3

2 General Information 3

2.1 Component Descriptions 4

3 Intended Use 4

4 Specifications 4

5 Installation 5

5.1 Removing the Existing Refrigerator 5

5.2 Preparing for Installation 5

5.3 Positioning the Refrigerator 6

5.4 Securing the Refrigerator 6

5.5 Making the Electrical Connections 7

6 Door Swing Reversal 8

6.1 Removing the Upper Hinge 8

6.2 Removing the Middle Hinge 9

6.3 Removing the Lower Hinge 9

6.4 Reinstalling the Lower Hinge Pin 10

6.5 Removing the Handles 10

6.6 Reinstalling the Handles 11

6.7 Changing the Door Stop Bushing 11

6.8 Reinstalling the Fresh Food Door, Lock, and Middle Hinge 12

6.9 Reinstalling the Upper Hinge 12

7 Operation 13

7.1 Storing Refrigerated Goods 13

7.2 Using the Control Panel 13

7.3 Adjusting the Shelves 14

8 Care and Maintenance 14

8.1 Defrosting the Refrigerator 15

8.2 Cleaning the Refrigerator 15

8.3 Storing the Refrigerator 15

9 Troubleshooting 15


10 Disposal 17

LIMITED ONE-YEAR WARRANTY 17

1 Explanation of Symbols and Safety Instructions


This manual has safety information and instructions to help you eliminate or reduce the risk of accidents and injuries.

1.1 Recognize Safety Information

 **This is the safety alert symbol.** It is used to alert you to potential physical injury hazards. Obey all safety messages that follow this symbol to avoid possible injury or death.

1.2 Understand Signal Words

A signal word will identify safety messages and property damage messages, and also will indicate the degree or level of hazard seriousness.

 **DANGER!** Indicates a hazardous situation that, if **not** avoided, will result in death or serious injury.

⚠ WARNING

Indicates a hazardous situation that, if **not** avoided, could result in death or serious injury.

⚠ CAUTION

Indicates a hazardous situation that, if **not** avoided, could result in minor or moderate injury.

NOTICE: Used to address practices **not** related to physical injury.

i Indicates additional information that is **not** related to physical injury.

1.3 Supplemental Directives

To reduce the risk of accidents and injuries, please observe the following directives before proceeding to install, operate, or service this appliance:

- Read and follow all safety information and instructions.
- Read and understand these instructions before installing, operating, or servicing this product.
- The installation **must** comply with all applicable local or national codes, including the latest edition of the following standards:

U.S.A.

- ANSI/NFPA70, National Electrical Code (NEC)
- ANSI/NFPA 1192, Recreational Vehicles Code

Canada

- CSA C22.1, Parts I & II, Canadian Electrical Code
- CSA Z240 RV Series, Recreational Vehicles

1.4 General Safety Messages

⚠ WARNING: ELECTRICAL SHOCK, FIRE, AND/OR EXPLOSION HAZARD. Failure to obey the following warnings could result in death or serious injury:

- Use only Dometic replacement parts and components that are specifically approved for use with the appliance.

- Avoid improper installation, adjustment, alterations, service, or maintenance of the appliance. Service and maintenance **must** be done by a qualified service person only.
- Do **not** modify this product in any way. Modification can be extremely hazardous.
- Do **not** store or use gasoline or other flammable vapors and liquids in the vicinity of this or any other appliance.
- Do **not** leave the refrigerator in extreme cold or warm temperatures.
- Do **not** allow the appliance to be exposed to rain.
- This refrigerator **must** be grounded. Consult a qualified electrician or service person if the grounding instructions are **not** completely understood or if doubt exists as to whether the appliance is properly grounded. In the event of an electrical short circuit, grounding reduces the risk of electric shock by providing an escape wire for the electric current.
- Do **not** damage the refrigerant circuit when handling, moving, or using the refrigerator.

⚠ WARNING: HEALTH HAZARD.

This refrigerator is **not** intended for the proper storage of medicine. It is only suitable for cooling and storing foodstuffs. Failure to obey this warning could result in death or serious injury.

⚠ WARNING: TIPPING HAZARD. Failure to obey the following warnings could result in death or serious injury:

- Do **not** allow children to climb, stand on, or hang on the refrigerator.
- Do **not** allow a long cord to drape over the counter top or table top where it can be pulled on by children or tripped over unintentionally. Failure to obey this warning could result in death or serious injury.

2 General Information

This section provides reference information regarding the recommended tools for installation.

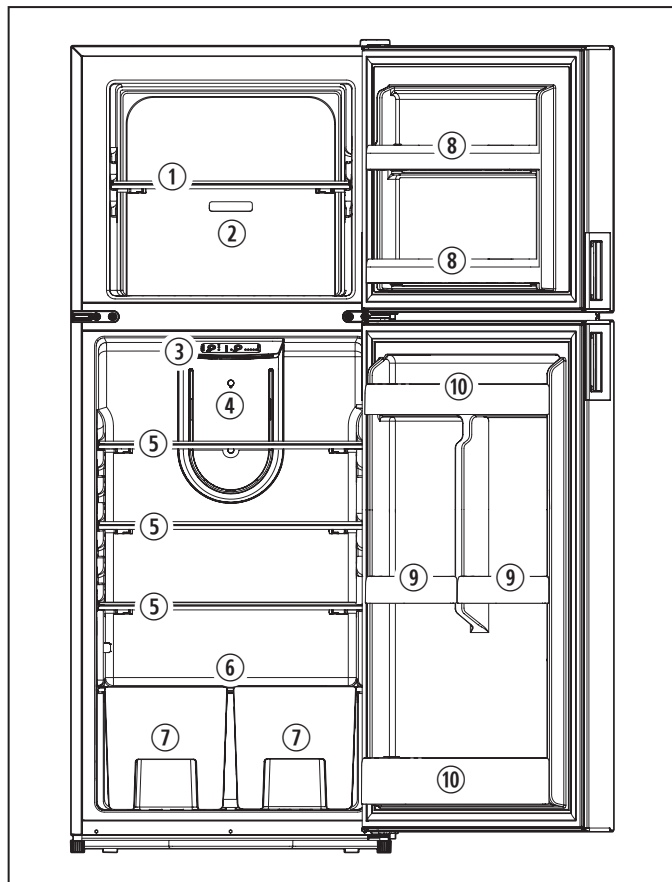
i The images used in this document are for reference purposes only. Components and component locations may vary according to specific product models. Measurements may vary ±0.38 in. (10 mm).

Dometic recommends that you have the following tools on-hand during installation, which are required for door adjustments and installation.

Recommended Tools	
Phillips Screwdriver	10 Mm Socket Wrench
Flathead Screwdriver	Level
Pliers	T15 Torx Driver/Bit
Putty Knife	

2.1 Component Descriptions

Figure 1 provides information about the internal components of the refrigerator.



1 Internal Component Locations

- ① Freezer Shelf
- ② Freezer Temperature Control
- ③ Adjustable Temperature Control
- ④ LED Light
- ⑤ Glass Shelf¹
- ⑥ Clear Glass Crisper Cover
- ⑦ Clear Crisper
- ⑧ Full-Width Freezer Shelf
- ⑨ Small Door Shelf
- ⑩ Full-Width Door Shelf

¹DMC4101 quantity 3; DMC4081 quantity 2

3 Intended Use

The DMC refrigerator (hereinafter referred to as “product”) is designed and intended for use in a recreational vehicle (hereinafter referred to as “RV”) for which it is supplied. This product is designed to cool and store foodstuffs and is not intended to be used for the proper storage of medicine. This refrigerator is only suitable for the intended purpose and application in accordance with these instructions.

This manual provides information that is necessary for proper installation, operation, and maintenance of the refrigerator. Poor installation and/or improper operating or maintenance will result in unsatisfactory performance and a possible failure. The manufacturer accepts no liability for any injury or damage to the product resulting from:

- Incorrect assembly or connection, including excess voltage
- Incorrect maintenance or use of spare parts other than original spare parts provided by the manufacture
- Alterations to the product without express permission from the manufacturer
- Use for purposes other than those described in this manual

Dometic reserves the right to change product appearance and product specifications.

4 Specifications

The following table provides the exterior dimensions and power specifications for the refrigerators.

DMC4101 Dimensions (H x W x D)	59.6 in. (151.4 cm) x 23.6 in. (59.9 cm) x 27.5 in. (69.9 cm)
DMC4081 Dimensions (H x W x D)	53.6 in. (136.1 cm) x 23.6 in. (59.9 cm) x 27.5 in. (69.9 cm)
Power Supply Requirements	10.5 VDC–17.0 VDC, ≥15.0 A

The following table provides voltage specifications for startup and automatic shut off. To protect the battery, the refrigerator switches off automatically if the voltage is insufficient.

Cut-off Voltage	10.4 VDC or less
Cut-in Voltage	11.7 VDC or more
Max Voltage	17.0 VDC

The following table provides the recommended electrical wiring lengths for the refrigerators.

Wire Size	Maximum Length	Wire Size	Maximum Length
13 AWG ²	8.0 ft (2.4 m)	8 AWG	33.0 ft (10.0 m)
12 AWG	13.0 ft (4.0 m)	6 AWG	50.0 ft (15.2 m)
10 AWG	20.0 ft (6.1 m)		

² 14 AWG wire is not recommended. 13 AWG or larger is recommended. The DC refrigerators are not equipped with a power source. A power source is available at your authorized Dometic Dealer.

5 Installation

⚠ WARNING: ELECTRICAL SHOCK, FIRE, AND/OR EXPLOSION HAZARD. Failure to obey the following warnings could result in death or serious injury:

- Do **not** install the refrigerator where there is excessive moisture or where water can splash onto the appliance.
- Do **not** install the refrigerator in a location where the ventilation openings in the appliance enclosure or in the built-in structure might become obstructed.

- Do **not** install the refrigerator near heat sources or open flames.

⚠ WARNING: TIPPING HAZARD.

Do **not** allow a long cord to drape over the counter top or table top where it can be pulled on by children or tripped over unintentionally. Failure to obey this warning could result in death or serious injury.

NOTICE: Do **not** place heavy items on top of the refrigerator. Failure to obey this notice can result in damage to the refrigerator.

This section describes how to install the refrigerator.

5.1 Removing the Existing Refrigerator

i If a refrigerator is not already present, skip to section "Preparing for Installation" on page 5.

- Disconnect the 120 VAC power cord from the receptacle at the rear of the refrigerator enclosure, if applicable.
- Disconnect the 12 VDC leads from the refrigerator and cap the lead ends, if applicable.
- Turn off the LP gas supply to the refrigerator, if applicable.
- Disconnect the LP gas line from the refrigerator.
- Cap the line and verify there are no LP gas leaks.
- Remove the mounting screws anchoring the refrigerator to the enclosure.
- Slide the refrigerator from the enclosure and remove it from the RV.

5.2 Preparing for Installation

Verify the enclosure meets the following requirements before installation:

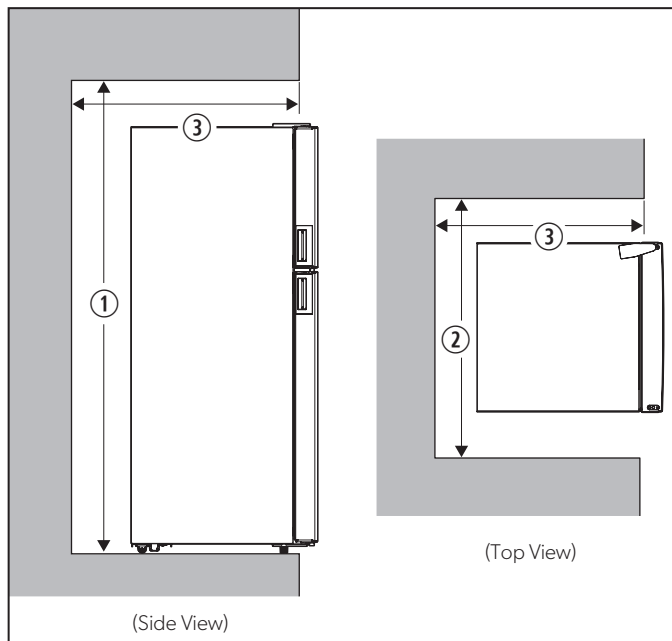
- Utility hookups are present and comply with all applicable codes.
- Holes do not exist inside the enclosure, except ventilation holes.
- Objects do not protrude into the enclosure, except utility connections for the refrigerator.

- The enclosure must be free of materials that may damage the refrigerator.
- The floor must be level and able to support the weight of the refrigerator and its contents.
- The refrigerator must be level and installed in a sturdy enclosure.
- A wood strip must be placed above the upper opening and below the lower opening of the enclosure. The top and bottom refrigerator mounting brackets are anchored to the wood strips with screws.
- The refrigerator must not be installed directly on carpeting.
- Adjacent heat sources must not affect the ventilation of the refrigerator.

5.3 Positioning the Refrigerator

NOTICE: If the refrigerator is **not** leveled during installation, the doors may **not** close or seal properly, causing cooling, frost, or moisture problems. It is very important for the refrigerator to be level in order to function properly.

This section describes proper positioning for the refrigerator before installation.



2 Enclosure Dimensions

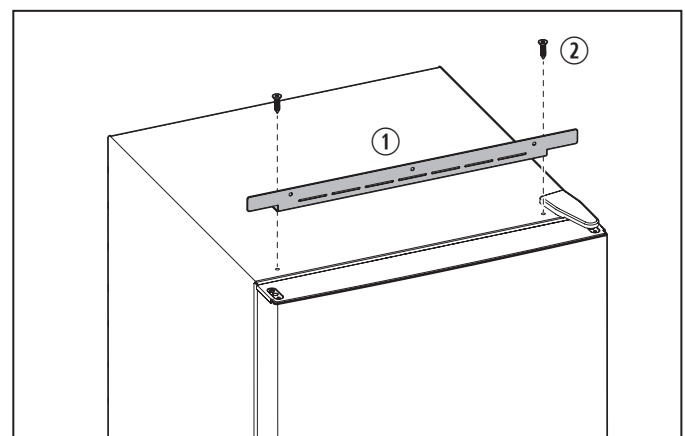
① Height	DMC4081 53.9 in. (136.9 cm)	DMC4101 59.9 in. (152.1 cm)
② Width	24.0 in. (60.9 cm)	
③ Depth	24.0 in. (60.9 cm)	

1. Position the refrigerator away from heat sources such as stoves, radiators, and direct sunlight.
2. Place the refrigerator in a stable, flat location.
3. Level the refrigerator by turning the leveling legs clockwise (to raise the refrigerator) or counter-clockwise (to lower the refrigerator).
4. Leave the refrigerator in an upright position for at least four hours before turning it on.

5.4 Securing the Refrigerator

This section describes how to secure the refrigerator in the enclosure.

- ① If the door swing will be reversed, complete the reversal procedure before securing the refrigerator inside the enclosure. Refer to "Door Swing Reversal" on page 8 for details.
- ① Before securing the refrigerator, ensure the refrigerator is positioned correctly. Refer to "Positioning the Refrigerator" on page 6 for details.

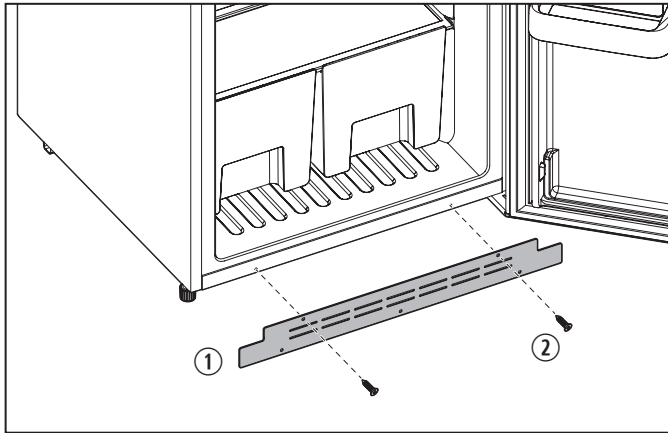


3 Installing the Top Mounting Bracket

- ① Top Mounting Bracket
- ② Mounting Screw

1. Secure the top mounting bracket to the refrigerator using the two M5 x 20 mounting screws provided.

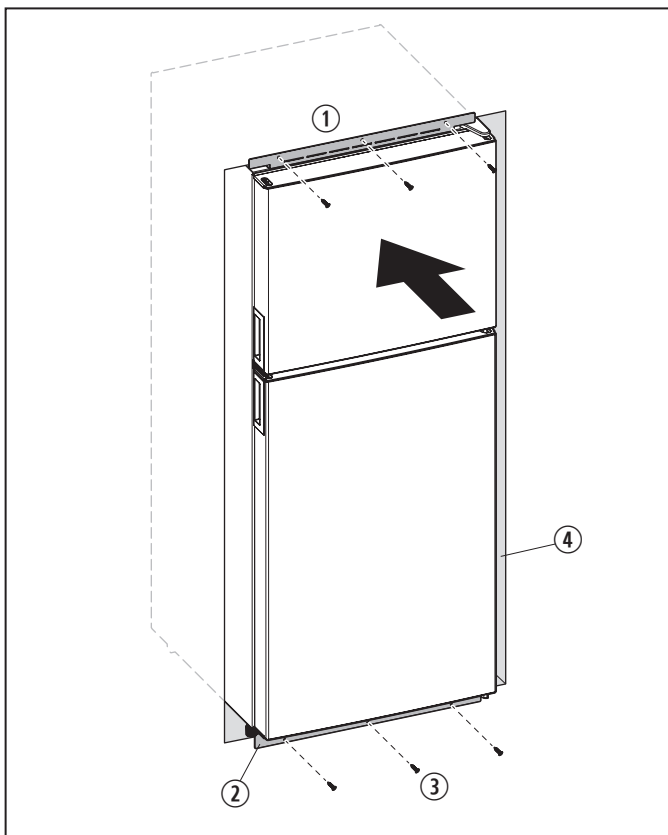
2. Place the refrigerator completely into the enclosure.



4 Installing the Bottom Mounting Bracket

- ① Bottom Mounting Bracket
- ② Mounting Screw

3. Open the fresh food door and secure the bottom mounting bracket to the refrigerator using the screws provided.



5 Securing the Refrigerator to the Enclosure

- ① Top Mounting Bracket
- ② Bottom Mounting Bracket
- ③ Mounting Screw
- ④ Enclosure

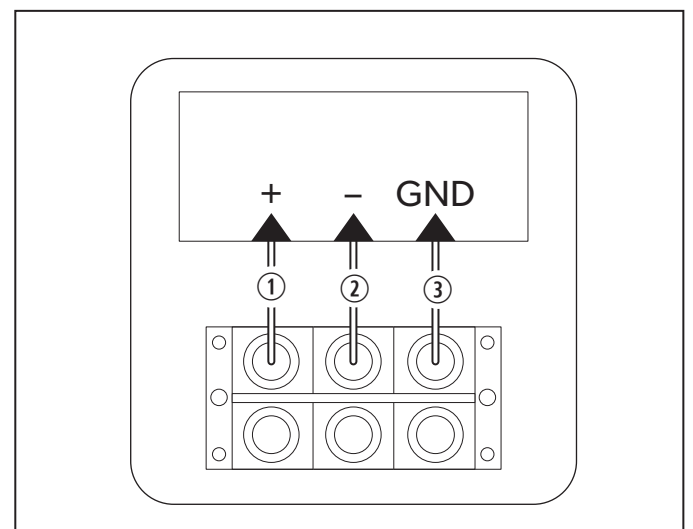
4. Secure the refrigerator within the enclosure using the six self-tapping screws that will go through the top and bottom mounting brackets.

5.5 Making the Electrical Connections

⚠ WARNING: ELECTRICAL HAZARD. Failure to obey these warnings could result in death or serious injury.

- Before wiring the refrigerator, turn off and disconnect the refrigerator from the main power supply.
- Before making the electrical connection to the refrigerator, ensure that you read and understand the grounding-related warning provided on page 3.

i For wire length specifications, refer to "Specifications" on page 5.



6 Connecting the Wires

1. Ensure the voltage and frequency indicated on the data plate correspond to those of the electrical mains.
2. Connect the "+" terminal to the positive 12 VDC wire.
3. Connect the "-" terminal to the negative 12 VDC wire.
4. Connect the "GND" wire to the converter ground or bus ground.
5. Reconnect and turn on the refrigerator.

- Wait three to five minutes before restarting the refrigerator as it might fail to operate properly if restarted too quickly.

6 Door Swing Reversal

⚠ CAUTION: TIPPING HAZARD.

Take care when tilting the refrigerator backwards. Failure to obey this caution could result in minor or moderate injury.

NOTICE: It is necessary to tilt the refrigerator backwards to take the bottom hinge off. Rest the refrigerator against something solid, just below the top panel. Do **not** lay the appliance completely flat, as this may damage the coolant system.

NOTICE: If the location requires removing the refrigerator from the enclosure, be sure the wiring and the power cord are long enough, or disconnect the wiring and power cord before moving. Failure to do so could damage the wiring connections.

This section describes the process to change the direction in which the door opens.

Dometic recommends that you obtain assistance before completing the door reversal process.

Before beginning the door reversal process:

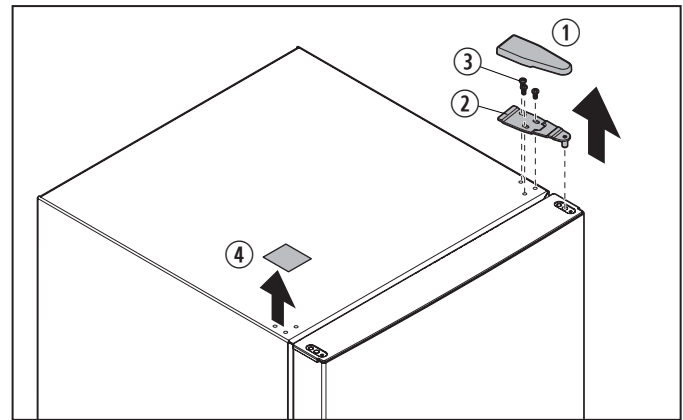
- Remove any refrigerator contents.
- Turn the breaker off or unplug the 12 VDC power to the appliance.
- Remove the three screws at the top and the three screws at the bottom of the refrigerator that secure the mounting brackets to the cabinet.

6.1 Removing the Upper Hinge

This section describes removing the freezer door and upper hinge bracket.

i Keep all the hardware and screws for reinstallation.

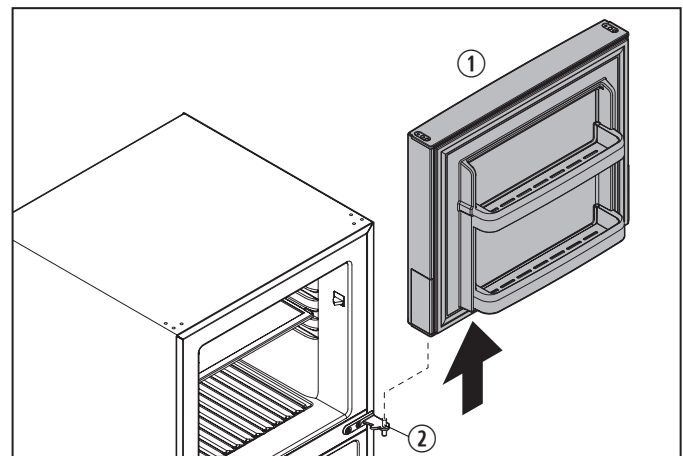
- Slide the refrigerator out several inches from the enclosure to access the upper hinge bracket.



7 Removing the Upper Hinge Bracket

- | | |
|-----------------------|-----------------------|
| ① Upper Hinge Cover | ③ Hinge Screws |
| ② Upper Hinge Bracket | ④ Plastic Screw Cover |

- In a front to back motion, pop the upper hinge cover off the upper hinge bracket.
- Use a 10 mm socket wrench to remove the three screws that secure the upper hinge bracket to the refrigerator, and then remove the bracket.
- Gently use a putty knife to pry up the reusable plastic screw cover from the opposite side where the upper hinge bracket will be installed. Reserve the cover for use later.



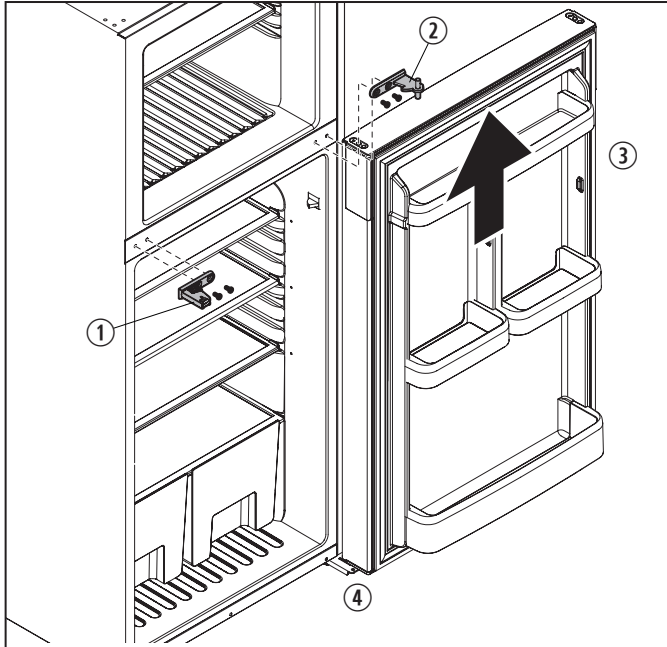
8 Removing the Freezer Door

- | | |
|----------------|------------------------|
| ① Freezer Door | ② Middle Hinge Bracket |
|----------------|------------------------|

- Depress the freezer door handle. Gently pull the door upward off the middle hinge to release the magnetic seal and remove the door.
- Lay the door on a soft surface, finish side down.

6.2 Removing the Middle Hinge

This section describes removing the fresh food door, middle hinge bracket, and lock assembly.



9 Removing the Middle Hinge Bracket, Lock Assembly, and Door

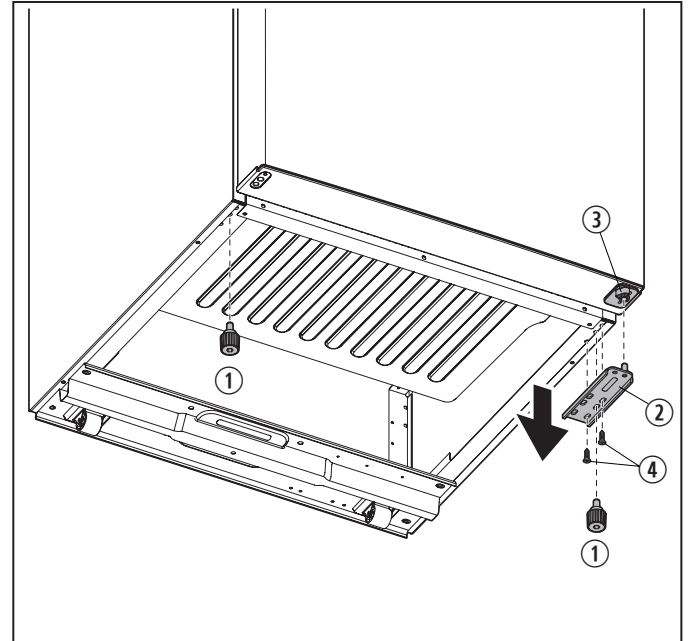
- ① Lock Assembly ③ Fresh Food Door
- ② Middle Hinge Bracket ④ Lower Hinge Bracket

i Keep all the hardware and screws for reinstallation.

1. At the top of the fresh food door, use a Phillips screwdriver to remove the two screws that secure the lock assembly, and the two screws that secure the middle hinge bracket.
2. Pull up on the hinge to remove it from the door.
3. Depress the door handle. Gently pull the door upward off the lower hinge to release the magnetic seal and remove the door.
4. Lay the door on a soft surface, finish side down.

6.3 Removing the Lower Hinge

This section describes removing the lower hinge bracket and leveling feet.



10 Removing the Lower Hinge Bracket and Leveling Feet

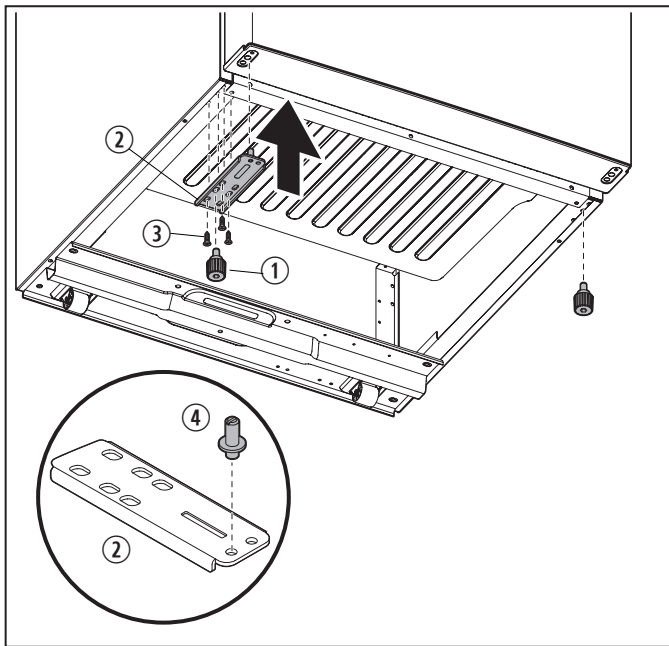
- ① Hinge-Side Leveling Foot ③ Door Stop Bushing
- ② Lower Hinge Bracket ④ Mounting Screws

i Keep all the hardware and screws for reinstallation.

1. With the refrigerator tilted back slightly to access the bottom, remove the front leveling feet by turning them counter-clockwise until they fully disengage.
 2. Use a 10 mm socket wrench to remove all the screws securing the lower hinge to the door stop bushing.
- i** Keep the hinge-side leveling foot with the lower hinge bracket.

6.4 Reinstalling the Lower Hinge Pin

This section describes reinstalling the lower hinge bracket.



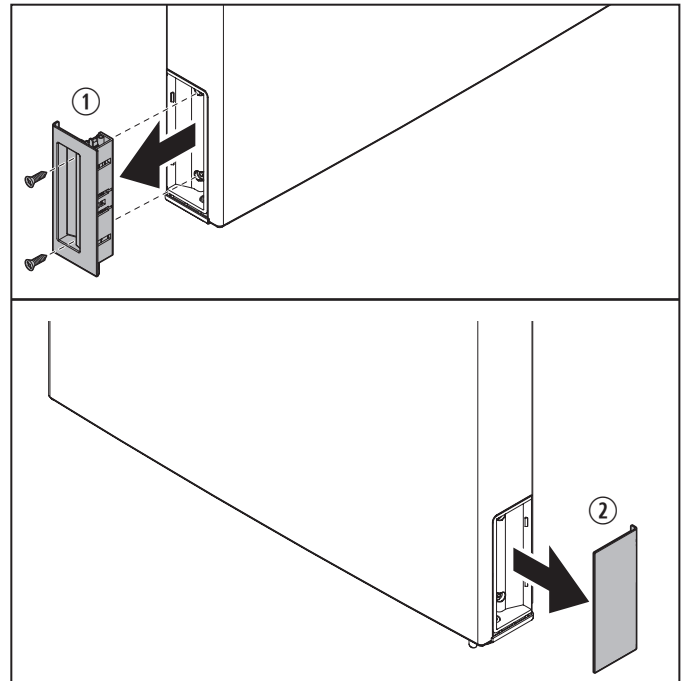
11 Reinstalling the Lower Hinge Bracket and Hinge Pin

- ① Hinge-Side Leveling Foot ③ Mounting Screws
② Lower Hinge Bracket ④ Hinge Pin

- i** Keep all the hardware and screws for reinstallation.
1. On the lower hinge bracket, use a flathead screwdriver to remove the hinge pin. Place the hinge pin into its new bracket slot, immediately next to its original position.
 - i** The hinge pin must change slots to remain in an outer edge position after swapping swing sides.
 2. Holding the lower hinge bracket in its new location, use the hinge-side leveling foot to hold the hinge bracket loosely to the bottom of the refrigerator. Turn the foot clockwise until secure.
 3. Install the mounting screws, using the outer edge top and lower slots, and the inner middle slot. Tighten securely.
 4. Install the remaining leveling foot on the opposite side of the refrigerator.

6.5 Removing the Handles

This section describes removing the handles and decor well covers.



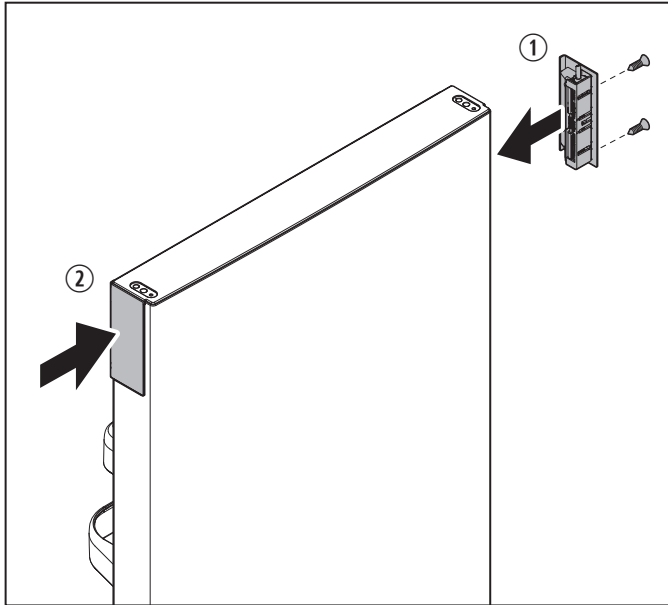
12 Removing the Handles and Decor Well Covers

- ① Door Handle ② Decor Well Cover

- i** Keep all the hardware and screws for reinstallation.
1. Depress the freezer door handle latch to remove the two Phillips head screws that secure the handle.
 2. While using a screwdriver to push in the handle's plunger pin completely and depressing the handle latch, lift the handle out of the handle well.
 3. On the opposite edge of the door, pop off the freezer decor well cover.
 4. Snap the decor well cover onto the original handle well location. Align the cover under the edge of the door cap.
 5. Repeat steps 1 through 4 for the fresh food door.
- i** At reinstallation, the freezer handle will rotate 180° to become the fresh food handle. The fresh food handle will rotate 180° to become the freezer door handle.

6.6 Reinstalling the Handles

This section describes swapping and reinstalling the handles.



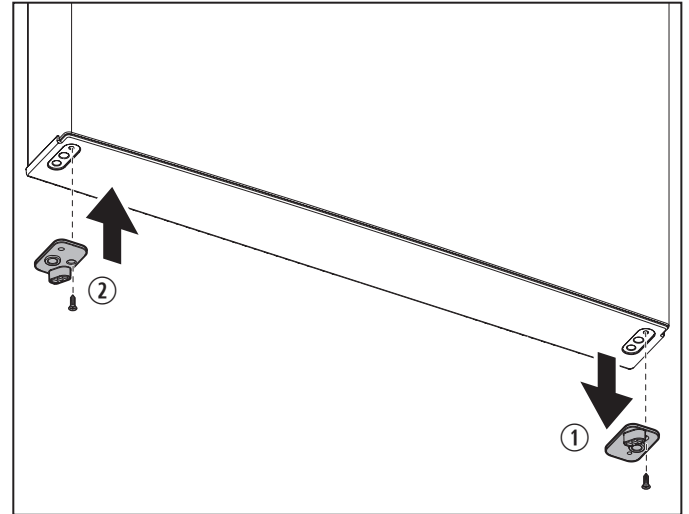
13 Reinstalling the Handles and Decor Well Covers

- ① Door Handle ② Decor Well Cover

1. Rotate the original freezer handle 180°.
 2. While using a screwdriver to push in the handle's plunger pin in completely and depressing the handle latch, place the handle into the fresh food door handle well.
- i** Be sure the handle's plunger pin is inserted in the former hinge hole.
3. Depress the handle latch to reinstall the two Phillips head screws to secure the handle.
 4. Repeat steps 1 through 3 to secure the original fresh food door handle to the freezer door.

6.7 Changing the Door Stop Bushing

This section describes removing and replacing the door stop bushing.



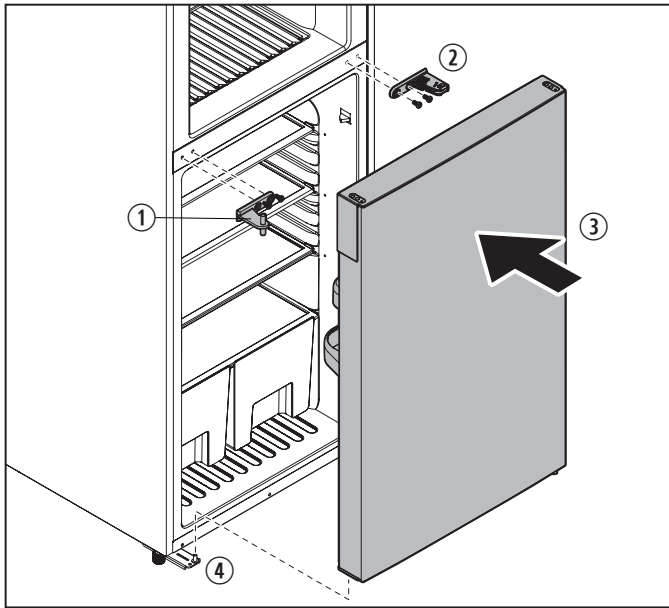
14 Reinstalling the Bushing

- ① Door Stop Bushing ② New Door Stop Bushing

1. Remove the door stop bushing from the bottom of the fresh food door.
 2. Use a Torx driver to install the new replacement door stop bushing and new screws on the opposite side of the fresh food door.
 3. Repeat steps 1 and 2 for the freezer door.
- i** The new door stop bushing should not hang over the door edge.

6.8 Reinstalling the Fresh Food Door, Lock, and Middle Hinge

This section describes reinstalling the fresh food door and middle hinge bracket.



15 Reinstalling the Fresh Food Door, Lock, and Middle Hinge

- ① Middle Hinge Bracket ③ Fresh Food Door
- ② Lock and Lock Screws ④ Pin on Lower Hinge Bracket

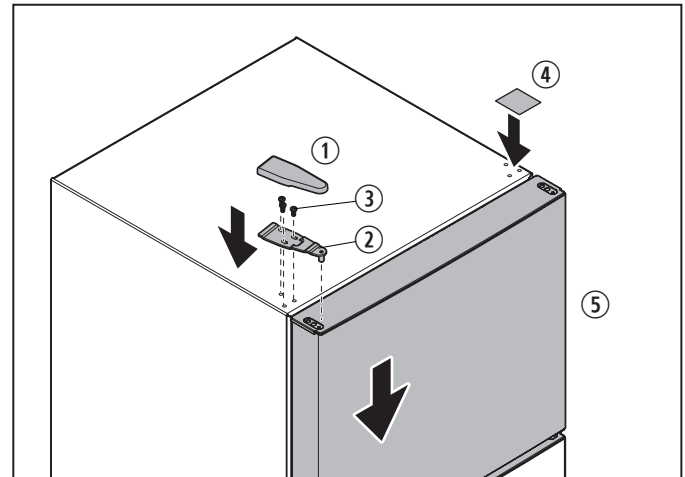
1. Lower the fresh food door into position by aligning the hole from the door stop bushing onto the pin on the lower hinge bracket.
- i** The door's magnetic seal should hold the door in place to install the middle hinge bracket.
2. Align the middle hinge bracket at the edge of the fresh food door, above the lower hinge bracket.
3. Reinstall the middle hinge bracket, but do not fully tighten the screws.
4. Align the lock assembly on the other edge of the fresh food door, above the new handle location.
5. Reinstall the lock assembly, but do not fully tighten the screws.
6. Ensure the door aligns horizontally and vertically, swings freely, and seals properly on all sides.
7. Tighten all middle hinge and lock assembly screws.

8. Lower the freezer door into position by aligning the hole from the door stop bushing onto the middle hinge bracket pin.

i The door's magnetic seal should hold the door in place to install the upper hinge bracket.

6.9 Reinstalling the Upper Hinge

This section describes reinstalling the freezer door and upper hinge bracket.



16 Reinstalling the Freezer Door and Upper Hinge

- ① Upper Hinge Cover ④ Plastic Screw Cover
- ② Upper Hinge Bracket ⑤ Freezer Door
- ③ Hinge Screws

1. Align the new upper hinge bracket at the edge of the freezer door, above the middle hinge bracket.
2. Install the new upper hinge bracket, using the three hinge screws, but do not fully tighten.
3. Ensure the door aligns horizontally and vertically, swings freely, and seals properly on all sides.
4. Fully tighten the hinge screws on the upper hinge bracket and snap the upper hinge cover in place.
5. Reinstall the plastic screw cover on the top where the old upper hinge was removed.
- i** If necessary, reconnect the wiring, plug in the power cord, or turn the breaker on.
6. Return the refrigerator to the enclosure as described in "Securing the Refrigerator" on page 6.
7. Level the refrigerator as described in "Positioning the Refrigerator" on page 6.

7 Operation

⚠ WARNING: ELECTRICAL SHOCK, FIRE, AND/OR EXPLOSION HAZARD. Failure to obey the following warnings could result in death or serious injury:

- This refrigerator **must** be properly installed and located in accordance with the instructions outlined in "Installation" on page 5 before it is used.
- Do **not** allow persons (including children) with reduced physical, sensory, or mental capabilities to operate this refrigerator unless they have been given supervision or instruction concerning use of the appliance by a person responsible for their safety.
- Do **not** store gasoline or other flammable vapors and liquids in this refrigerator.
- Do **not** store explosive substances, such as aerosol cans with a flammable propellant, in this refrigerator.

⚠ CAUTION: BURN HAZARD.

Do **not** touch the interior of the chiller compartment with wet hands. Failure to obey this caution could result in minor or moderate injury.

This section provides considerations regarding the operation of the refrigerator and describes how to operate the control panel.

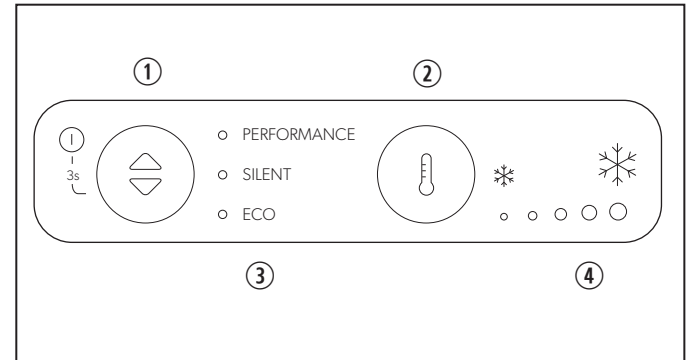
7.1 Storing Refrigerated Goods

For optimal use of the refrigerator compartment, observe the following instructions:

- Never put hot liquids or food in the refrigerator.
- The total amount of goods placed into the refrigerator compartment should not exceed its storage volume.
- Cover or wrap food prior to storage.
- Arrange food so that air can circulate freely inside the compartment.

7.2 Using the Control Panel

This section describes how to use the control panel to set the desired cooling temperature.



17 Understanding the Control Panel

- | | |
|-----------------------------|-------------------------|
| ① Mode Selection Button | ③ Mode Indicator |
| ② Temperature Adjust Button | ④ Temperature Indicator |

7.2.1 Turning on the Refrigerator

This section describes how to turn the refrigerator on.

1. Press and hold the mode selection button for three seconds to turn on the refrigerator. The Mode Indicator light will turn on.
2. Ensure that the refrigerator is cooled completely before adding food (24 hours is recommended).
3. Set the refrigerator mode by pressing the mode selection button to select from the following choices:
 - **Performance Mode:** The refrigerator works in AUTO status with five available temperature levels.
 - **Silent Mode:** The compressor works at a constant speed while the outer fan works at low speed. The temperature level is limited to level three and below.
 - **ECO Mode:** The refrigerator works in AUTO status, but the temperature is limited to level one.

7.2.2 Turning off the Refrigerator

Press and hold the mode selection button for three seconds to turn off the refrigerator. The Mode Indicator light will turn off.

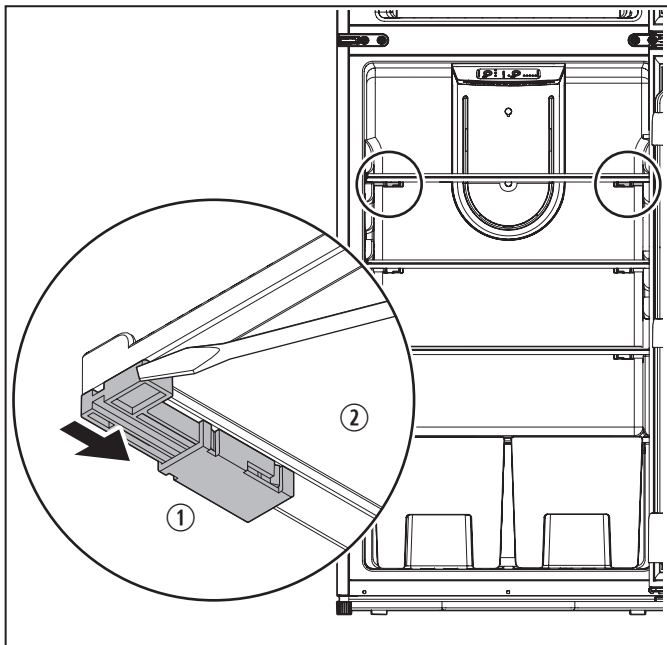
7.2.3 Changing the Refrigerator Temperature

To adjust the refrigerator temperature, press and release the temperature adjust button until the temperature indicator light displays at the desired level. The small snowflake is level one and the large snowflake is level five.

7.3 Adjusting the Shelves

This section describes how to remove and install the refrigerator shelves.

7.3.1 Removing a Shelf



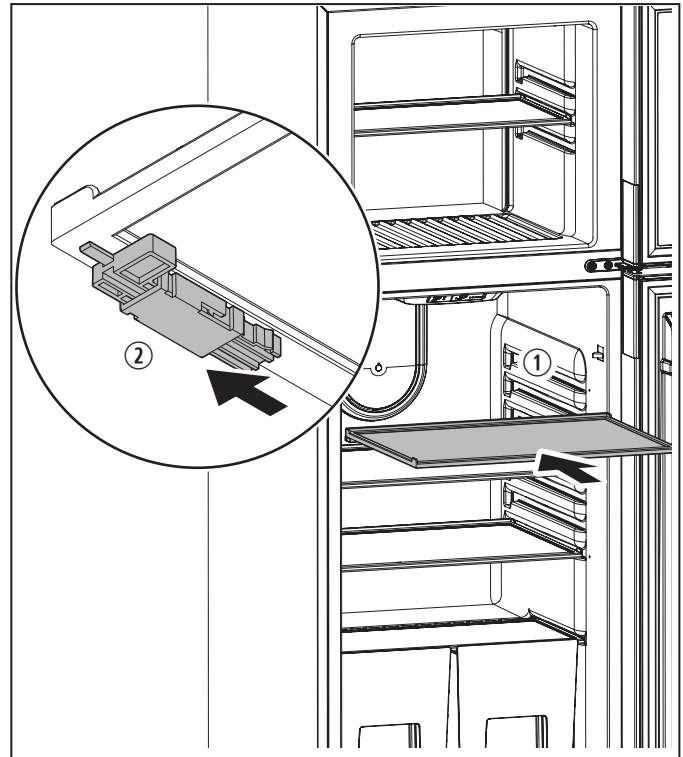
18 Removing a Refrigerator Shelf

① Shelf Lock

② Screwdriver

1. Disengage both shelf locks underneath the shelf:
 - a. Insert the tip of a flathead screwdriver into the slot as shown in Figure 18 and slide the shelf lock by hand to unlock.
 - b. Repeat step a for the other shelf lock.
2. Pull on the front edge to slide the shelf out.

7.3.2 Installing the Shelf



19 Installing a Refrigerator Shelf

① Groove in Wall Liner

② Shelf Lock

1. Be sure both shelf locks are disengaged.
2. Align the shelf with the grooves in the wall liner, and slide the shelf into the grooves.
3. To engage the left lock, push the end of the left lock toward the left refrigerator wall until it is flush with the end of the shelf bracket and against the wall liner.
4. Repeat step 3 for the right lock.

8 Care and Maintenance

⚠ WARNING: ELECTRICAL SHOCK, FIRE, AND/OR EXPLOSION HAZARD. Failure to obey the following warnings could result in death or serious injury:

- Always disconnect the refrigerator from power before cleaning and/or servicing.
- Maintenance not included in this Care and Maintenance section **must** be done by a qualified service person only.

⚠ WARNING: HEALTH HAZARD.

Do **not** use toxic or hazardous chemicals to accelerate the defrosting process. Failure to obey this warning could result in death or serious injury.

NOTICE: Do **not** use abrasive cleaning agents or hard objects during cleaning, and do **not** allow water to drip into the seals, as this can damage the refrigerator.

NOTICE: Never use mechanical tools to remove ice or to loosen objects stuck to the interior of the refrigerator. The only exceptions are devices that are approved for this purpose by the manufacturer.

NOTICE: The maintenance and cleaning instructions provided in this section should be performed once a year, or as needed depending on the use of the appliance. Failure to properly maintain the appliance might void the warranty and could result in unsafe operation. Preventive maintenance is **not** covered under the warranty.

8.1 Defrosting the Refrigerator

The refrigerator has an auto-defrost feature that will automatically start a heating device to assist defrosting after a certain period of run time.

8.2 Cleaning the Refrigerator

NOTICE: The exterior surface should only be cleaned with soap and water. Failure to obey this notice could result in damage to the refrigerator's finish.

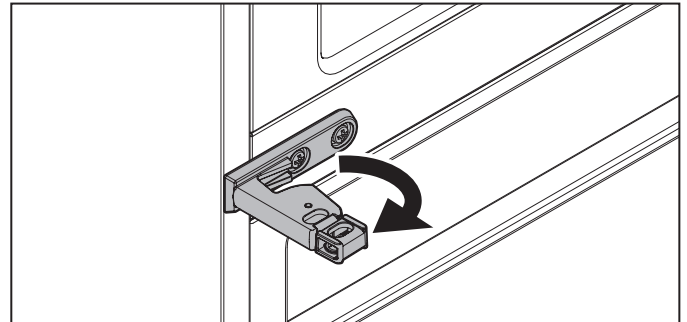
Complete these steps to properly clean the refrigerator:

1. Clean the interior regularly, and as soon as it becomes dirty, using a damp cloth. Wipe dry.
2. Clean dust and debris from the condenser fan regularly, and ensure that the fan moves freely without obstruction.

8.3 Storing the Refrigerator

If you do not intend to use the refrigerator for an extended period of time, complete the following steps:

1. Empty the contents of the refrigerator compartment.
2. Clean the refrigerator, if needed, as described in "Cleaning the Refrigerator" on page 15.



20 Swinging out the Airing Feature

3. To prevent mold, mildew, or unpleasant odors from developing, leave the door slightly ajar. Use the airing feature to prevent the door from closing:
 - a. Open both the freezer and fresh food door to access the lock.
 - b. Swing the airing feature out from the lock.
 - c. Close the doors until they gently rest against the airing feature on the door lock.

9 Troubleshooting

⚠ WARNING: ELECTRICAL SHOCK, FIRE, AND/OR EXPLOSION HAZARD. Failure to obey the following warnings could result in death or serious injury:

- Always disconnect the refrigerator from power before cleaning and/or servicing.
- Maintenance not included in this Troubleshooting section **must** be done by a qualified service person only.

The following table lists some of the possible issues that might be encountered when the refrigerator is in use, the possible causes of these issues, and the recommended actions that should be taken to remedy the issues.

Problem	Possible Cause	Suggested Remedy
The refrigerator will not operate.	The power supply cord is disconnected.	Ensure that the refrigerator is connected and power is supplied.
	The refrigerator is powered off.	Hold the mode button for three seconds to turn on the refrigerator.
	A household fuse or circuit breaker has tripped.	Ensure that there is power supplied to the refrigerator.
Food in the refrigerator compartment is freezing.	The internal temperature is set too cold.	Adjust the temperature to a warmer setting.
The internal temperature in the refrigerator compartment is not cool enough.	The air vents in the fresh food compartment are blocked; this prevents the movement of cold air.	Ensure that the vents are clear and that there are proper clearances around the refrigerator.
	The refrigerator is placed too close to heat sources, or poor ventilation exists.	
	The door is opened too often or not closed properly.	Limit the amount of time that the door is opened during operation.
	A large amount of food has just been added to the refrigerator compartment.	Cool food before inserting it into the refrigerator. Adding warm food to the refrigerator delays cooling.
	The temperature setting is adjusted too warm.	Set the thermostat to a cooler setting.
The refrigerator seems to make unusual noise.	The refrigerator is not leveled on the floor.	Ensure that the refrigerator is properly leveled. Refer to "Positioning the Refrigerator" on page 6.
	The body of the refrigerator touches a wall.	Ensure that there are proper clearances around the refrigerator. Refer to "Positioning the Refrigerator" on page 6.
There is interior moisture build-up.	The door is opened too often or not closed properly.	Limit the amount of time that the door is opened during operation and ensure that the door is properly closed after opening.
	The room is humid.	Install the refrigerator in an area with less humidity, if possible.
	The food is not packaged correctly.	Follow the recommended packaging instructions. Refer to "Operation" on page 13 for details.
The door will not close completely.	Food packages are keeping the door from closing properly.	Ensure that contents in the cooling compartment do not obstruct the door.
	The shelves are out of position.	Ensure that the shelves are in their correct positions.
	The gaskets are dirty.	Clean the gaskets with a damp cloth.
	The refrigerator is not level.	Ensure that the refrigerator is properly leveled. Refer to "Positioning the Refrigerator" on page 6.

10 Disposal



Place the packaging material in the appropriate recycling waste bins, whenever possible. Consult a local recycling center or specialist dealer for details about how to dispose of the product in accordance with all applicable national and local regulations.

LIMITED ONE-YEAR WARRANTY

LIMITED ONE-YEAR WARRANTY AVAILABLE AT WWW.DOMETIC.COM/WARRANTY.

IF YOU HAVE QUESTIONS, OR TO OBTAIN A COPY OF THE LIMITED WARRANTY FREE OF CHARGE, CONTACT:

DOMETIC CORPORATION
CUSTOMER SUPPORT CENTER
5155 VERDANT DRIVE
ELKHART, INDIANA 46516
1-800-544-4881 OPT 1

Liste des centres de service et des revendeurs

Consultez : www.dometic.com

Veillez lire attentivement ces instructions et suivre tous les avertissements, instructions et directives inclus dans ce manuel du produit afin de vous assurer que vous installez, utilisez et entretenez le produit correctement à tout moment. Ces instructions DOIVENT être conservées avec ce produit.

En utilisant le produit, vous confirmez par la présente que vous avez lu attentivement tous les avertissements, instructions et directives et que vous comprenez et acceptez de respecter les conditions générales énoncées dans le présent document. Vous acceptez d'utiliser ce produit uniquement pour l'usage et l'application prévus et conformément aux instructions, directives et avertissements figurant dans ce manuel du produit ainsi qu'en accord avec toutes les lois et réglementations applicables. Le fait de ne pas lire et de ne pas suivre les instructions et les avertissements énoncés dans le présent document peut entraîner des blessures pour vous-même et pour d'autres personnes, des dommages à votre produit ou des dommages à d'autres biens situés à proximité. Ce manuel du produit, y compris les instructions, les directives et les avertissements, ainsi que la documentation connexe, peut faire l'objet de modifications et de mises à jour. Pour obtenir des informations à jour sur les produits, veuillez consulter www.dometic.com.

Sommaire

1	Explication des symboles et consignes de sécurité	18
1.1	Reconnaître les consignes de sécurité	18
1.2	Comprendre les mots-indicateurs	19
1.3	Directives supplémentaires	19
1.4	Messages de sécurité d'ordre général	19
2	Informations générales	20
2.1	Description des composants	20
3	Indication	20
4	Caractéristiques techniques	21
5	Installation	21
5.1	Retrait du réfrigérateur existant	21
5.2	Avant l'installation	22
5.3	Positionnement du réfrigérateur	22
5.4	Fixation du réfrigérateur	23
5.5	Branchements électriques	24
6	Inversion du sens d'ouverture de la porte	24
6.1	Dépose de la charnière du haut	24
6.2	Dépose de la charnière centrale	25
6.3	Dépose de la charnière du bas	26

6.4	Réinstallation de l'axe de la charnière du bas	26
6.5	Dépose des poignées	27
6.6	Réinstallation des poignées	27
6.7	Remplacement de la douille de butée de porte	28
6.8	Réinstallation de la porte d'accès aux produits frais, du dispositif de verrouillage et de la charnière centrale	28
6.9	Réinstallation de la charnière du haut	29

7	Mode d'emploi	29
7.1	Conservation de produits réfrigérés	30
7.2	Utilisation du panneau de commande	30
7.3	Réglage des clayettes	31
8	Entretien et nettoyage	31
8.1	Dégivrage du réfrigérateur	32
8.2	Nettoyage du réfrigérateur	32
8.3	Entreposage du réfrigérateur	32
9	Dépannage	32
10	Élimination	34
GARANTIE LIMITÉE DE UN AN		34

1 Explication des symboles et consignes de sécurité

Ce manuel contient des consignes de sécurité et des instructions pour aider l'utilisateur à éliminer ou réduire le risque d'accidents et de blessures.

1.1 Reconnaître les consignes de sécurité



C'est le symbole d'alerte à la sécurité.

Il signale des risques de blessures physiques. Obéir à tous les messages de sécurité qui suivent ce symbole pour éviter les risques de blessures ou de mort.

1.2 Comprendre les mots-indicateurs

Un mot-indicateur identifie les messages de sécurité et les messages liés aux dégâts matériels, et signale aussi le degré ou niveau de gravité du danger.

DANGER!

Indique une situation dangereuse qui, si elle n'est **pas** évitée, causera la mort ou des blessures graves.


AVERTISSEMENT

Indique une situation dangereuse qui, si elle n'est **pas** évitée, peut causer la mort ou des blessures graves.

ATTENTION

Indique une situation dangereuse qui, si elle n'est **pas** évitée, peut causer des blessures légères ou modérées.

AVIS : Utilisé pour signaler des pratiques **non** liées à une blessure physique.

 Fournit des renseignements additionnels **sans rapport** avec des blessures physiques.

1.3 Directives supplémentaires

Pour réduire le risque d'accidents et de blessures, observer les directives suivantes avant de continuer à installer, utiliser ou entretenir cet appareil :

- Lire et suivre toutes les consignes de sécurité et les instructions.
- Lire et comprendre ces instructions avant l'installation, l'utilisation ou l'entretien de ce produit.
- L'installation **doit** se conformer à tous les codes locaux ou nationaux applicables, y compris la toute dernière édition des normes suivantes :


États-Unis

- ANSI/NFPA70, Code national de l'électricité (CNE)
- ANSI/NFPA 1192, Code des véhicules récréatifs


Canada

- CSA C22.1, Parties I et II, Code canadien de l'électricité
- CSA Z240 RV Series, véhicules récréatifs

1.4 Messages de sécurité d'ordre général

 **AVERTISSEMENT : RISQUE DE DÉCHARGE ÉLECTRIQUE, DE DÉPART DE FEU ET/OU D'EXPLOSION. Le non-respect de ces avertissements pourrait entraîner de graves blessures, voire la mort :**

- Utiliser uniquement des pièces et composants de rechange Dometic spécifiquement approuvés pour une utilisation avec cet appareil.
- Éviter l'installation, le réglage, les altérations, les réparations ou la maintenance incorrects de l'appareil. Les réparations et la maintenance **doivent** être confiées à un agent technique qualifié.
- **Ne pas** modifier ce produit d'une quelconque manière. Une modification peut être extrêmement dangereuse.
- **Ne pas** stocker ni utiliser d'essence ou d'autres vapeurs ou liquides inflammables à proximité de cet appareil ou de tout autre appareil.
- **Ne pas** exposer le réfrigérateur à un froid ou une chaleur extrêmes.
- **Ne pas** exposer l'appareil à la pluie.
- Ce réfrigérateur **doit** être mis à la terre. Consulter un électricien ou un réparateur qualifié si les instructions de mise à la terre ne sont **pas** claires ou en cas de doute sur la mise à la terre correcte de l'appareil. En cas de court-circuit, la mise à la terre réduit le risque de décharge électrique en fournissant un fil échappatoire au courant électrique.
- **Ne pas** endommager le circuit de fluide frigorigène en manipulant, déplaçant ou utilisant le réfrigérateur.

 **AVERTISSEMENT : RISQUE POUR LA SANTÉ.**
Le réfrigérateur n'est **pas** destiné à la conservation de médicaments. Il est uniquement adapté au refroidissement et à la conservation d'aliments. Le non-respect de cet avertissement pourrait entraîner de graves blessures, voire la mort.

 **AVERTISSEMENT : RISQUE DE BASCULEMENT. Le non-respect de ces avertissements pourrait entraîner de graves blessures, voire la mort :**

- **Ne pas** laisser les enfants monter sur le réfrigérateur, se tenir dessus ou s'y suspendre.

- Ne pas laisser pendre un long cordon électrique du comptoir ou de la table, car des enfants pourraient tirer dessus ou quelqu'un pourrait trébucher dessus accidentellement. Le non-respect de cet avertissement pourrait entraîner de graves blessures, voire la mort.

2 Informations générales

Cette section contient des informations de référence sur les outils recommandés pour l'installation.

- i** Les images utilisées dans ce document sont uniquement fournies à titre de référence. Les composants et leur emplacement peuvent varier selon le modèle. Les mesures peuvent varier de $\pm 0,38$ po (10 mm).

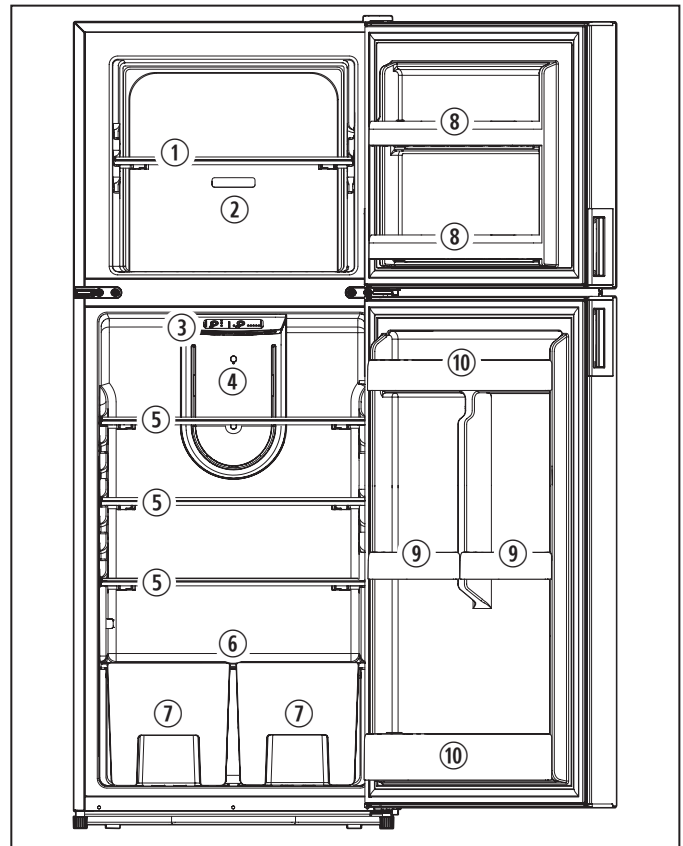
Dometic vous recommande d'avoir les outils suivants à portée de main durant l'installation, qui sont requis pour l'ajustement et l'installation de la porte.

Outils recommandés

Tournevis cruciforme	Clé à douille 10 mm
Tournevis à tête plate	Niveau
Pince	Embout/visseuse T15 Torx
Couteau à mastic	

2.1 Description des composants

La Figure 1 renseigne sur les composants internes du réfrigérateur.



1 Emplacements des composants internes

- | | |
|----------------------------------|---|
| ① Clayette de congélateur | ⑥ Couvercle de bac à légumes en verre transparent |
| ② Thermostat du congélateur | ⑦ Bac à légumes transparent |
| ③ Thermostat réglable | ⑧ Clayette de congélateur pleine largeur |
| ④ Éclairage DEL | ⑨ Petite clayette de porte |
| ⑤ Clayette en verre ¹ | ⑩ Clayette de porte pleine largeur |

¹DMC4101 quantité 3; DMC4081 quantité 2

3 Indication

Le réfrigérateur DMC est conçu et destiné pour être utilisé dans un véhicule récréatif (ci-après appelé « VR ») pour lequel il est fourni. Ce produit est conçu pour refroidir et ranger des aliments et il ne doit pas être utilisé pour la conservation de médicaments. Ce réfrigérateur est uniquement adapté à l'usage et à l'application prévus conformément aux présentes instructions.

Le présent manuel fournit les renseignements nécessaires pour l'installation, le fonctionnement et

l'entretien appropriés du réfrigérateur. Une mauvaise installation ou un mauvais fonctionnement ou entretien entraîneront des performances insatisfaisantes et possiblement, une panne. Le fabricant décline toute responsabilité en cas de blessure ou de dommage au produit résultant de :

- Assemblage ou connexion incorrects, y compris la surtension
- Entretien ou utilisation incorrects de pièces détachées autres que les pièces détachées d'origine fournies par le fabricant
- Altération du produit sans la permission expresse du fabricant
- Utilisation à d'autres fins que celles décrites dans ce manuel

Dometic se réserve le droit de modifier l'apparence et les spécifications des produits.

4 Caractéristiques techniques

Le tableau suivant fournit les dimensions extérieures et les spécifications d'alimentation du réfrigérateurs.

DMC4101 Dimensions (hauteur x largeur x profondeur)	59,6 po (151,4 cm) x 23,6 po (59,9 cm) x 27,5 po (69,9 cm)
DMC4081 Dimensions (hauteur x largeur x profondeur)	53,6 po (136,1 cm) x 23,6 po (59,9 cm) x 27,5 po (69,9 cm)
Exigences en alimentation	10,5 V c.c.–17 V c.c., ≥15,0 A

Le tableau suivant fournit les spécifications de tension requises pour le démarrage et l'arrêt automatique. Pour protéger la batterie, le réfrigérateur s'éteint automatiquement si la tension est insuffisante.

Tension de déconnexion	10,4 V c.c. ou moins
Tension de démarrage	11,7 V c.c. ou plus
Tension max.	17,0 V c.c.

Le tableau suivant contient les longueurs de câble électrique recommandées pour le réfrigérateurs.

Calibre de fil	Longueur maximum	Calibre de fil	Longueur maximum
13 AWG ²	8 pi (2,4 m)	8 AWG	33 pi (10,0 m)
12 AWG	13 pi (4 m)	6 AWG	50 pi (15,2 m)
10 AWG	20 pi (6,1 m)		

² Un câble 14 AWG est déconseillé. Un câble de 13 AWG minimum est recommandé. Le réfrigérateur c.c. n'est pas équipé d'une alimentation. Une alimentation est disponible chez votre revendeur Dometic agréé.

5 Installation

⚠ AVERTISSEMENT : RISQUE DE DÉCHARGE ÉLECTRIQUE, DE DÉPART DE FEU ET/OU D'EXPLOSION. Le non-respect de ces avertissements pourrait entraîner de graves blessures, voire la mort :

- **Ne pas** installer le réfrigérateur à un endroit où règne une humidité excessive ou il risque d'être exposé à des projections d'eau.
- **Ne pas** installer le réfrigérateur à un endroit où les prises d'air de ventilation dans le boîtier de l'appareil ou la structure d'encastrement risquent d'être obstruées.
- **Ne pas** installer le réfrigérateur près de sources de chaleur ou de flammes nues.

⚠ AVERTISSEMENT : RISQUE DE BASCULEMENT. Ne pas laisser pendre un long cordon électrique du comptoir ou de la table, car des enfants pourraient tirer dessus ou quelqu'un pourrait trébucher dessus accidentellement. Le non-respect de cet avertissement pourrait entraîner de graves blessures, voire la mort.

AVIS : Ne pas placer d'objets lourds sur le dessus du réfrigérateur. Respecter cette consigne au risque d'endommager le réfrigérateur.

Cette section décrit comment installer le réfrigérateur.

5.1 Retrait du réfrigérateur existant

i Si un réfrigérateur n'est pas déjà présent, passer directement à la section « Avant l'installation » à la page 22.

1. Débrancher le câble électrique 120 V c.a. de la prise à l'arrière de l'enceinte du réfrigérateur, s'il y a lieu.

- Débrancher les fils conducteurs 12 V c.c. du réfrigérateur et capuchonner leur extrémité, s'il y a lieu.
- Fermer l'arrivée de gaz PL au réfrigérateur, s'il y a lieu.
- Débrancher la ligne de gaz PL du réfrigérateur.
- Boucher la ligne et vérifier l'absence de fuites de gaz PL.
- Enlever les vis qui fixent le réfrigérateur à l'enceinte.
- Glisser le réfrigérateur pour l'extraire de l'enceinte et l'enlever du VR.

5.2 Avant l'installation

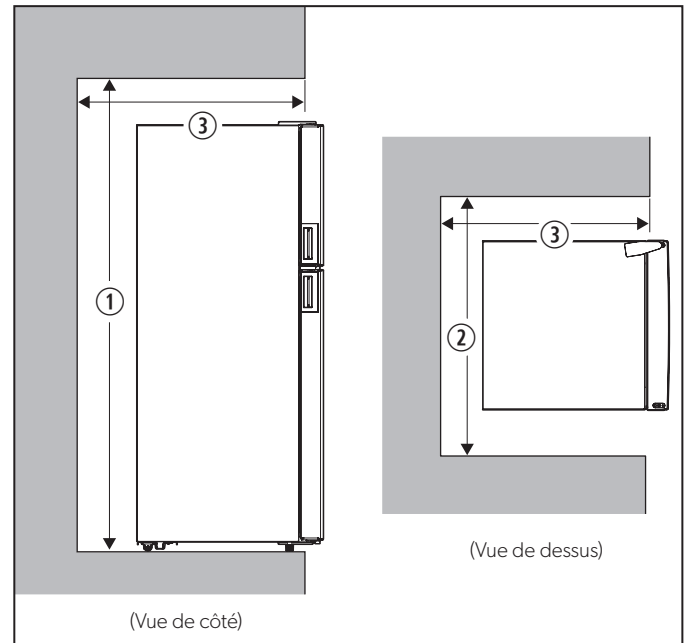
Vérifier que l'enceinte répond aux exigences suivantes avant l'installation :

- Des raccordements secteur sont présents et conformes à tous les codes applicables.
- Il n'y a pas de trous à l'intérieur de l'enceinte, mis à part les orifices de ventilation.
- Rien ne dépasse dans l'enceinte, sauf les branchements pour le réfrigérateur.
- L'enceinte doit être dépourvue de matériaux susceptibles d'endommager le réfrigérateur.
- Le plancher doit être de niveau et capable de supporter le poids du réfrigérateur et de son contenu.
- Le réfrigérateur doit être de niveau et installé dans une enceinte solide.
- Une bande de bois doit être placée au-dessus de l'ouverture supérieure et sous l'ouverture inférieure de l'enceinte. Les supports de fixation supérieur et inférieur du réfrigérateur sont fixés aux bandes de bois par des vis.
- Le réfrigérateur ne doit pas être installé directement sur de la moquette.
- Les sources de chaleur adjacentes ne doivent pas compromettre la ventilation du réfrigérateur.

5.3 Positionnement du réfrigérateur

AVIS : Si le réfrigérateur n'est **pas** calé durant l'installation, la porte risque de **ne pas** se fermer correctement et hermétiquement, causant des problèmes de refroidissement, de givre ou d'humidité. Il est très important que le réfrigérateur soit calé pour fonctionner correctement.

Cette section décrit le positionnement correct du réfrigérateur avant installation.



2 Dimensions de l'enceinte

	DMC4081	DMC4101
① Hauteur	53.9 in. (136.9 cm)	59.9 in. (152.1 cm)
② Largeur	24.0 in. (60.9 cm)	
③ Profondeur	24.0 in. (60.9 cm)	

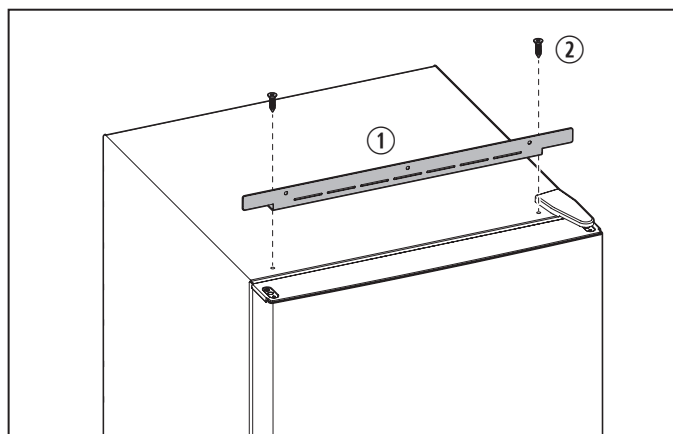
- Positionner le réfrigérateur à l'écart de sources de chaleur telles que des poêles, des radiateurs et la lumière directe du soleil.
- Placer le réfrigérateur à un endroit plat et stable.
- Caler le réfrigérateur en tournant les pieds de calage dans le sens horaire (pour relever le réfrigérateur) ou dans le sens anti-horaire (pour abaisser le réfrigérateur).
- Laisser le réfrigérateur à la verticale pendant quatre heures minimum avant de le mettre en marche.

5.4 Fixation du réfrigérateur

Cette section décrit la fixation du réfrigérateur dans l'enceinte.

i Si l'inversion du sens d'ouverture de la porte est prévue, effectuer cette procédure avant de fixer le réfrigérateur dans l'enceinte. Voir « Inversion du sens d'ouverture de la porte » à la page 24 pour des détails.

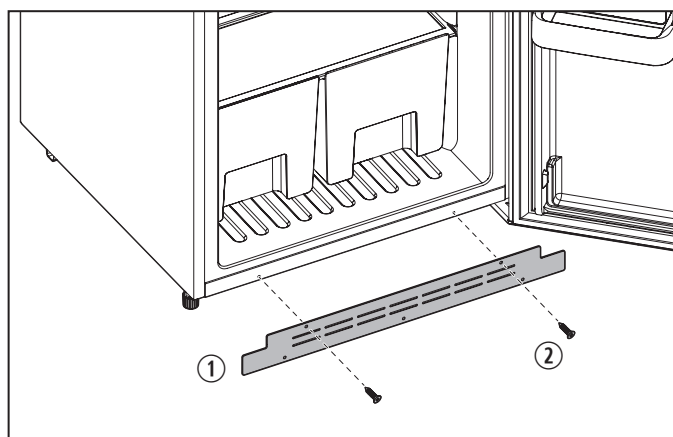
i Avant de sécuriser le réfrigérateur, s'assurer qu'il est correctement positionné. Voir « Positionnement du réfrigérateur » à la page 22 pour des détails.



3 Installation du support de fixation supérieur

- ① Support de fixation ② Vis de fixation supérieur

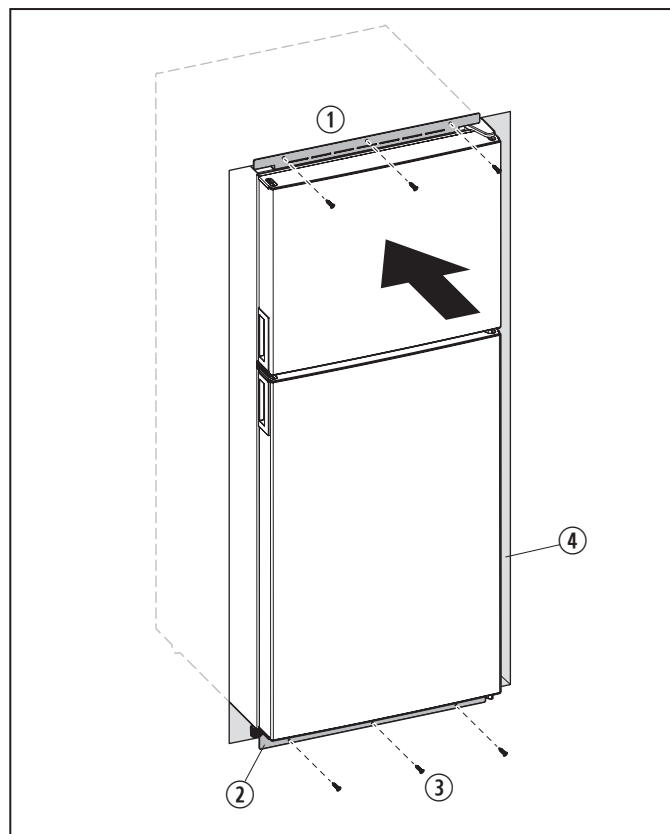
1. Attacher le support de fixation supérieur au réfrigérateur avec les deux vis M5 x 20 fournies.
2. Placer le réfrigérateur complètement dans l'enceinte.



4 Installation du support de fixation inférieur

- ① Support de fixation ② Vis de fixation supérieur

3. En ouvrant la porte d'accès aux produits frais, attacher le support de fixation inférieur au réfrigérateur à l'aide des vis fournies.



5 Fixation du réfrigérateur dans l'enceinte

- ① Support de fixation supérieur ③ Vis de fixation supérieur
- ② Support de fixation inférieur ④ Enceinte

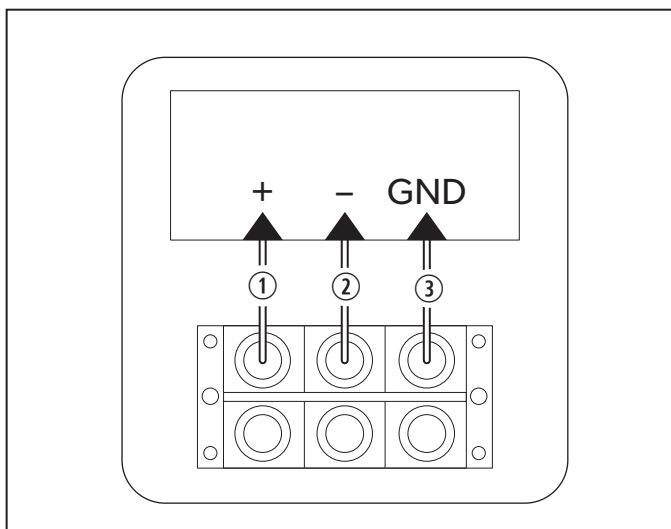
4. Sécuriser le réfrigérateur dans l'enceinte en insérant les six vis autotaraudeuses dans les supports de fixation supérieur et inférieur.

5.5 Branchements électriques

⚠ AVERTISSEMENT : DANGER ÉLECTRIQUE.
Le non-respect de ces avertissements pourrait entraîner de graves blessures, voire la mort.

- Avant de câbler le réfrigérateur, le mettre hors tension et le débrancher de l'alimentation secteur.
- Avant d'effectuer les branchements électriques au réfrigérateur, veiller à lire et bien comprendre l'avertissement lié à la mise à la terre page 19.

i Pour les longueurs de fils spécifiées, voir « Dometic se réserve le droit de modifier l'apparence et les spécifications des produits. » à la page 21.



6 Branchement des fils

1. S'assurer que la tension et la fréquence indiquées sur la plaque signalétique correspondent à celles du réseau électrique. Ce réfrigérateur exige une alimentation entre 10,5 et 17 V c.c. ≥ 15 A.
2. Brancher la borne + au fil 12 V c.c. positif.
3. Brancher la borne - au fil 12 V c.c. négatif.
4. Brancher le fil GND à la terre du convertisseur ou du bus.
5. Rebrancher le réfrigérateur et le mettre sous tension.
6. Attendre trois à cinq minutes avant de redémarrer le réfrigérateur, car il risque de mal fonctionner s'il est redémarré trop tôt.

6 Inversion du sens d'ouverture de la porte

⚠ ATTENTION : RISQUE DE BASCULEMENT.

Faire attention en inclinant le réfrigérateur vers l'arrière. Le non-respect de cette mise en garde pourrait entraîner des blessures légères ou modérées.

AVIS : Il faut incliner le réfrigérateur vers l'arrière pour enlever la charnière du bas. Appuyer le réfrigérateur contre quelque chose de solide, juste en dessous du panneau supérieur. **Ne pas** poser l'appareil complètement à plat; cela pourrait endommager le circuit de fluide frigorigène.

AVIS : Si l'emplacement exige l'extraction du réfrigérateur de l'enceinte, s'assurer que le câblage et le câble électrique sont assez longs ou les débrancher avant de déplacer l'appareil. Respecter cette consigne sous peine d'endommager les branchements.

Cette section décrit le processus de changement de direction d'ouverture de la porte.

Dometic recommande de se faire aider pour effectuer la procédure d'inversion du sens d'ouverture de la porte.

Avant de commencer le processus d'inversion du sens d'ouverture de la porte :

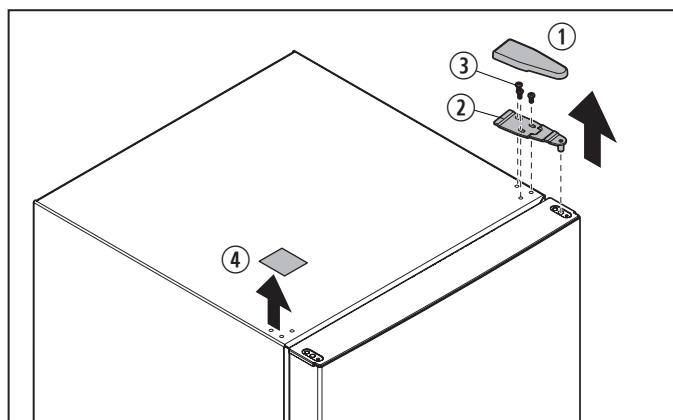
1. Vider le réfrigérateur.
2. Désactiver le disjoncteur ou débrancher l'alimentation 12 V c.c. de l'appareil.
3. Enlever les trois vis en haut et les trois vis en bas du réfrigérateur qui attachent les supports de fixation à l'armoire.

6.1 Dépose de la charnière du haut

Cette section décrit la dépose de la porte du congélateur et le support de charnière du haut.

i Conserver toute la quincaillerie et les vis pour la réinstallation.

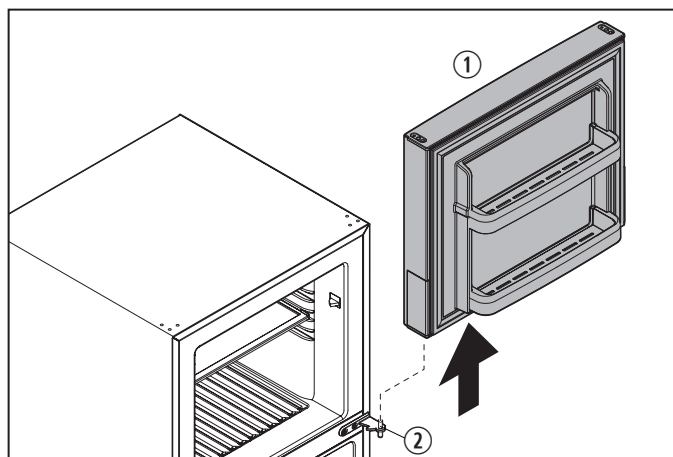
1. Sortir le réfrigérateur de l'enceinte sur plusieurs centimètres en le faisant glisser pour accéder au support de charnière du haut.



7 Dépose du support de charnière du haut

- ① Cache-charnière du haut ③ Vis de charnière
 ② Support de charnière du haut ④ Cache-vis en plastique

- Par un mouvement d'avant en arrière, faire sauter le cache-charnière du haut pour l'enlever du support de charnière du haut.
- Utiliser une clé à douille 10 mm pour enlever les trois vis qui fixent le support de charnière du haut au réfrigérateur, puis enlever le support.
- Utiliser avec précaution un couteau à mastic pour relever le cache-vis en plastique réutilisable du côté opposé de l'endroit où le support de charnière du haut sera installé. Mettre le cache de côté pour plus tard.



8 Dépose de la porte du congélateur

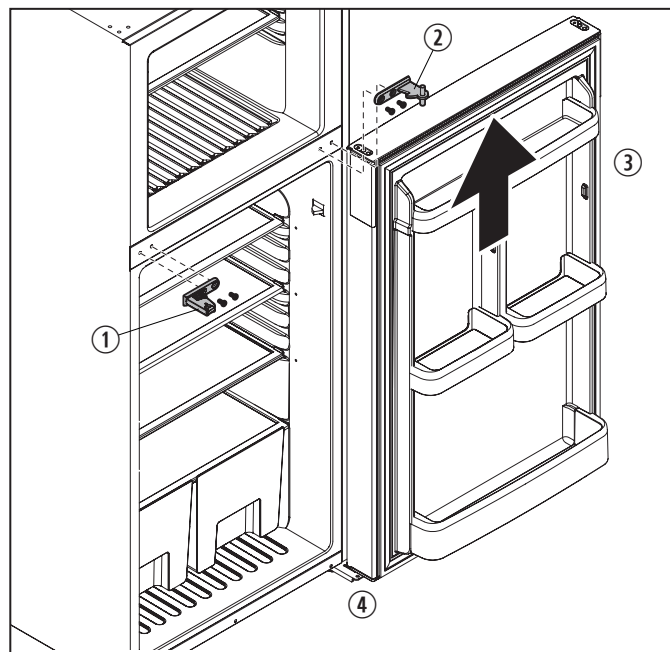
- ① Porte du congélateur ② Support de charnière centrale

- Appuyer sur la poignée de la porte du congélateur. Relever doucement la porte pour la dégager de la charnière centrale afin de la libérer du sceau magnétique et la déposer.

- Poser la porte sur une surface molle, côté fini vers le bas.

6.2 Dépose de la charnière centrale

Cette section décrit la dépose de la porte d'accès aux produits frais, le support de charnière centrale et le dispositif de verrouillage.



9 Dépose du support de charnière centrale, du dispositif de verrouillage et de la porte

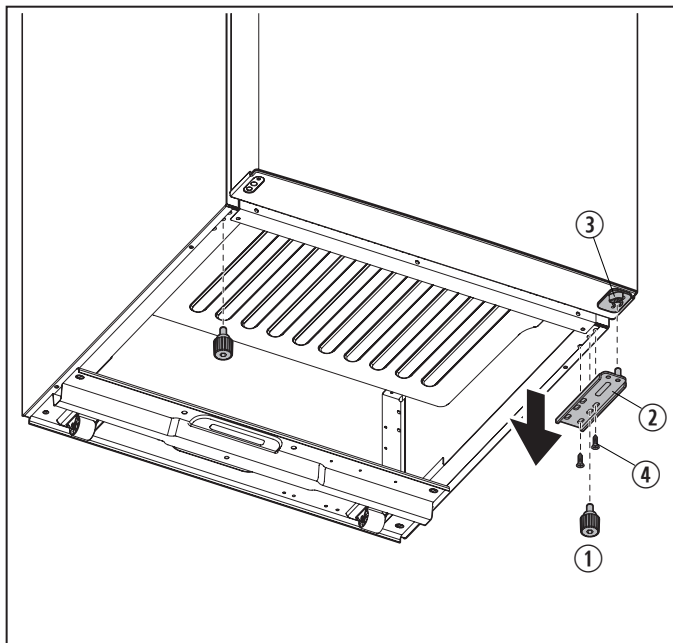
- ① Dispositif de verrouillage ③ Porte d'accès aux produits frais
 ② Support de charnière centrale ④ Support de charnière du bas

i Conserver toute la quincaillerie et les vis pour la réinstallation.

- En haut de la porte d'accès aux produits frais, utiliser un tournevis cruciforme pour enlever les deux vis qui fixent le dispositif de verrouillage et les deux vis qui fixent le support de charnière centrale.
- Relever la charnière pour l'enlever de la porte.
- Appuyer sur la poignée de la porte. Relever doucement la porte pour la dégager de la charnière du bas afin de la libérer du sceau magnétique et la déposer.
- Poser la porte sur une surface molle, côté fini vers le bas.

6.3 Dépose de la charnière du bas

Cette section décrit la dépose du support de charnière du bas et des pieds de calage.



10 Dépose du support de charnière du bas et des pieds de calage

- ① Pieds de calage côté charnières
- ② Support de charnière du bas
- ③ Douille de butée de porte
- ④ Vis de fixation

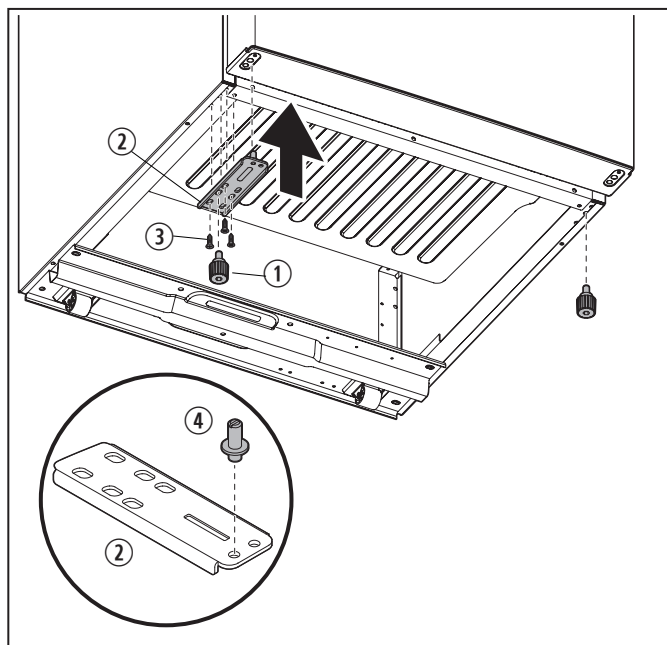
i Conserver toute la quincaillerie et les vis pour la réinstallation.

1. Avec le réfrigérateur légèrement incliné vers l'arrière pour pouvoir accéder au dessous, enlever les pieds de calage avant en les tournant dans le sens anti-horaire jusqu'à ce qu'ils se défassent complètement.
2. Utiliser une clé à douille 10 mm pour enlever toutes les vis qui fixent la charnière du bas à la douille de butée de porte.

i Conserver les pieds de calage côté charnières et le support de charnière du bas.

6.4 Réinstallation de l'axe de la charnière du bas

Cette section décrit la réinstallation du support de charnière du bas.



11 Réinstallation du support de charnière du bas et de l'axe de la charnière

- ① Pieds de calage côté charnières
- ② Support de charnière du bas
- ③ Vis de fixation
- ④ Axe de la charnière

i Conserver toute la quincaillerie et les vis pour la réinstallation.

1. Sur le support de charnière du bas, utiliser un tournevis à lame plate pour enlever l'axe de la charnière. Placer l'axe de la charnière dans son nouveau logement de support, juste à côté de sa position initiale.

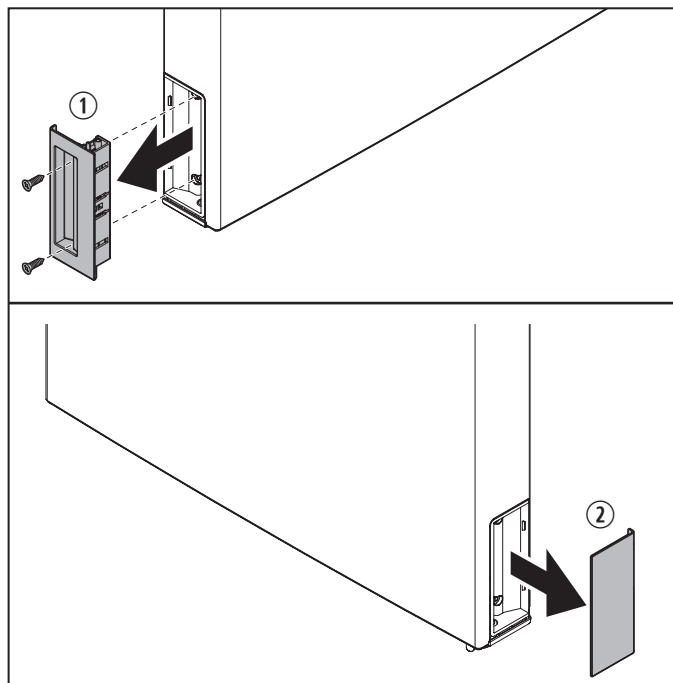
i L'axe de la charnière doit changer de logement pour rester en bordure extérieure après inversion des côtés.

2. En tenant le support de charnière du bas à son nouvel emplacement, utiliser le pied de calage côté charnières pour maintenir le support de charnière à peine attaché au-dessous du réfrigérateur. Tourner le pied dans le sens horaire jusqu'à ce qu'il soit bien serré.

3. Installer les vis de fixation dans les logements supérieur et inférieur sur le bord extérieur, et dans le logement central intérieur. Bien serrer.
4. Installer le pied de calage restant sur le côté opposé du réfrigérateur.

6.5 Dépose des poignées

Cette section décrit la dépose des poignées et des cache-compartiments décoratifs.



12 Dépose des poignées et des cache-compartiments décoratifs

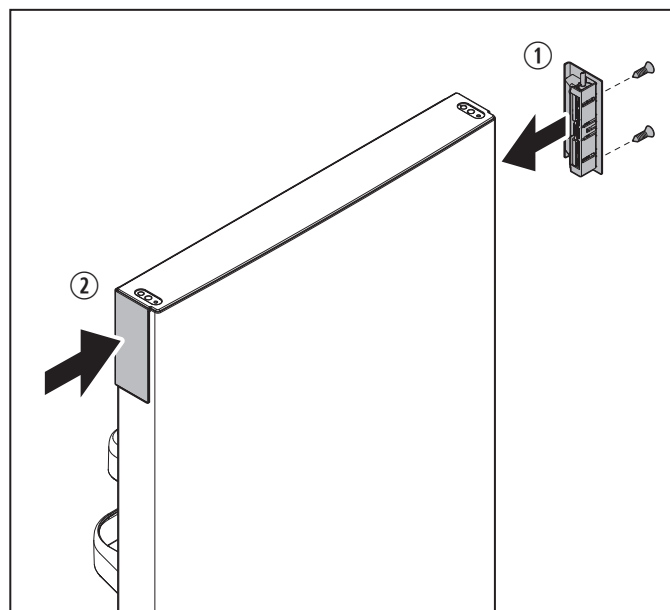
- ① Poignée de porte ② Cache-compartiment décoratif

- i** Conserver toute la quincaillerie et les vis pour la réinstallation.
1. Appuyer sur le loquet de la poignée de porte du congélateur pour enlever les deux vis cruciformes qui fixent la poignée.
 2. Tout en utilisant un tournevis pour pousser à fond la cheville du piston plongeur de la poignée et en appuyant sur le loquet de la poignée, sortir la poignée de son compartiment.
 3. Sur le côté opposé de la porte, faire sauter le cache-compartiment décoratif du congélateur.
 4. Enclencher le cache-compartiment décoratif à l'emplacement du compartiment de poignée initial. Aligner le cache sous le bord du capuchon de porte.
 5. Répéter les étapes 1 à 4 pour la porte d'accès aux produits frais.

- i** Lors de la réinstallation, la poignée du congélateur tournera de 180° pour devenir la poignée du compartiment pour produits frais. La poignée du compartiment pour produits frais tournera de 180° pour devenir la poignée du congélateur.

6.6 Réinstallation des poignées

Cette section décrit l'inversion et la réinstallation des poignées.



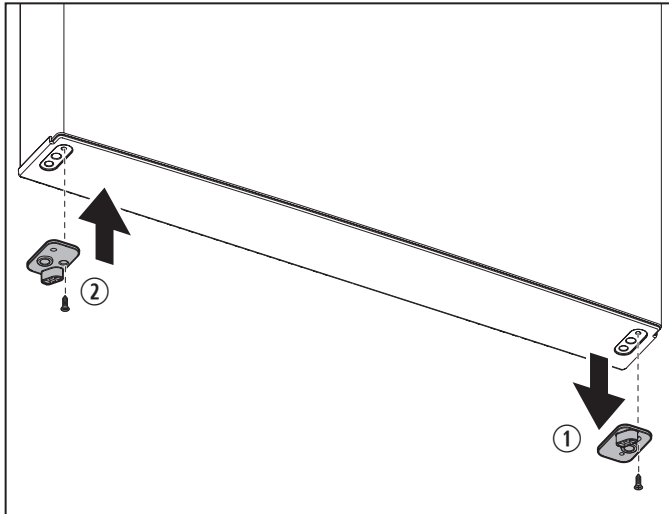
13 Réinstallation des poignées et des cache-compartiments décoratifs

- ① Poignée de porte ② Cache-compartiment décoratif

1. Tourner la poignée du congélateur initiale de 180°.
 2. Tout en utilisant un tournevis pour pousser à fond la cheville du piston plongeur de la poignée et en appuyant sur le loquet de la poignée, placer la poignée dans le compartiment de poignée de la porte d'accès aux produits frais.
- i** Veiller à bien insérer le piston plongeur de la poignée dans l'ancien trou de charnière.
3. Appuyer sur le loquet de la poignée pour réinstaller les deux vis cruciformes pour fixer la poignée.
 4. Répéter les étapes 1 à 3 pour fixer la poignée de porte d'accès aux produits frais initiale à la porte du congélateur.

6.7 Remplacement de la douille de butée de porte

Cette section décrit la dépose et le remplacement de la douille de butée de porte.



14 Réinstallation de la douille

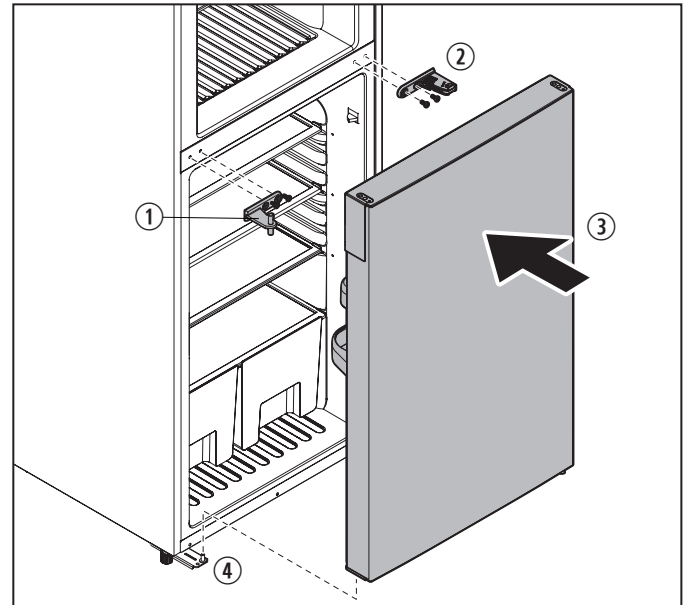
- ① Douille de butée de porte ② Nouvelle douille de butée de porte

1. Enlever la douille de butée de porte du dessous de la porte d'accès aux produits frais.
2. Utiliser un tournevis Torx pour installer la nouvelle douille de butée de porte et les nouvelles vis sur le côté opposé de la porte d'accès aux produits frais.
3. Répéter les étapes 1 et 2 pour la porte du congélateur.

i La nouvelle douille de butée de porte ne devrait pas dépasser du bord de la porte.

6.8 Réinstallation de la porte d'accès aux produits frais, du dispositif de verrouillage et de la charnière centrale

Cette section décrit la réinstallation de la porte d'accès aux produits frais et du support de charnière centrale.



15 Réinstallation de la porte d'accès aux produits frais, du dispositif de verrouillage et de la charnière centrale

- ① Support de charnière centrale ③ Porte d'accès aux produits frais
 ② Dispositif de verrouillage et vis associées ④ Axe sur le support de charnière du bas

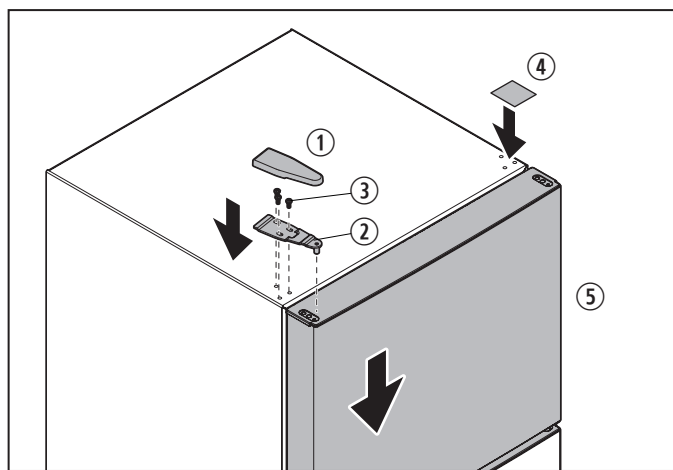
1. Abaisser la porte d'accès aux produits frais en position en alignant le trou de la douille de butée de porte sur l'axe du support de charnière du bas.
- i** Le sceau magnétique de la porte devrait maintenir la porte en place pour permettre l'installation du support de charnière centrale.
2. Aligner le support de charnière centrale sur le bord de la porte d'accès aux produits frais, au-dessus du support de charnière du bas.
 3. Réinstaller le support de charnière centrale, mais sans serrer les vis à fond.
 4. Aligner le dispositif de verrouillage sur l'autre bord de la porte d'accès aux produits frais, au-dessus du nouvel emplacement de la poignée.

5. Réinstaller le dispositif de verrouillage, mais sans serrer les vis à fond.
6. S'assurer que la porte est alignée horizontalement et verticalement, qu'elle s'ouvre librement et qu'elle ferme correctement sur tous les côtés.
7. Serrer les quatre vis.
8. Abaisser la porte du congélateur en position en alignant le trou de la douille de butée de porte sur l'axe du support de charnière centrale.

i Le sceau magnétique de la porte devrait maintenir la porte en place pour permettre l'installation du support de charnière du haut.

6.9 Réinstallation de la charnière du haut

Cette section décrit la réinstallation de la porte du congélateur et du support de charnière du haut.



16 Réinstallation de la porte du congélateur et de la charnière du haut

- | | |
|--------------------------------|--------------------------|
| ① Cache-charnière du haut | ④ Cache-vis en plastique |
| ② Support de charnière du haut | ⑤ Porte du congélateur |
| ③ Vis de charnière | |
1. Aligner le nouveau support de charnière du haut sur le bord de la porte du congélateur, au-dessus du support de charnière centrale.
 2. Installer le nouveau support de charnière du haut avec les trois vis de charnière, mais sans serrer à fond.
 3. S'assurer que la porte est alignée horizontalement et verticalement, qu'elle s'ouvre librement et qu'elle ferme correctement sur tous les côtés.

4. Serrer à fond les vis de charnière sur le support de charnière du haut et enclencher le cache-charnière du haut en place.
5. Réinstaller le cache-vis en plastique à l'emplacement où l'ancienne charnière du haut a été enlevée.

- i** Si nécessaire, rebrancher le câblage, brancher le câble électrique ou réactiver le disjoncteur.
6. Remettre le réfrigérateur dans l'enceinte comme décrit à la section « Fixation du réfrigérateur » à la page 23.
 7. Caler le réfrigérateur comme indiqué à la section « Positionnement du réfrigérateur » à la page 22.

7 Mode d'emploi

⚠ AVERTISSEMENT : RISQUE DE DÉCHARGE ÉLECTRIQUE, DE DÉPART DE FEU ET/OU D'EXPLOSION. Le non-respect de ces avertissements pourrait entraîner de graves blessures, voire la mort :

- Ce réfrigérateur **doit** être correctement installé et placé conformément aux instructions décrites à la section « Installation » à la page 21 avant utilisation.
- **Ne pas** autoriser les personnes (y compris les enfants) avec des capacités physiques, sensorielles ou mentales réduites à utiliser ce réfrigérateur, sauf sous supervision ou après instruction concernant l'utilisation de l'appareil par une personne responsable de leur sécurité.
- **Ne pas** stocker l'essence ou d'autres gaz et liquides inflammables dans ce réfrigérateur.
- **Ne pas** stocker de substances explosives, telles que des bombes aérosols contenant un propulseur inflammable, dans ce réfrigérateur.

⚠ ATTENTION : RISQUE DE BRÛLURE.

Ne pas toucher l'intérieur du compartiment du réfrigérateur les mains mouillées. Le non-respect de cette mise en garde pourrait entraîner des blessures légères ou modérées.

Cette section fournit des considérations concernant le fonctionnement du réfrigérateur et décrit le mode d'emploi du panneau de commande.

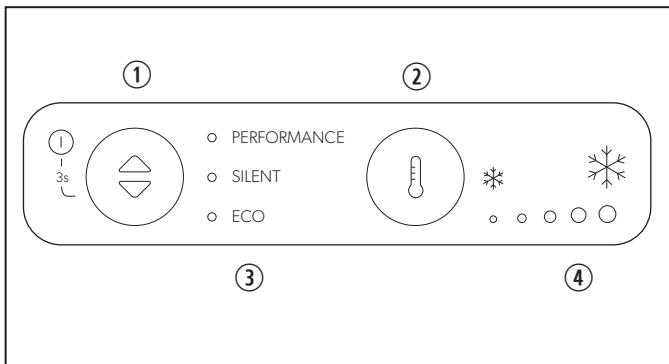
7.1 Conservation de produits réfrigérés

Pour une utilisation optimale du compartiment du réfrigérateur, observer les instructions suivantes :

- Ne jamais placer de liquides ou d'aliments chauds dans le réfrigérateur.
- Le volume total d'aliments placés dans le compartiment du réfrigérateur ne doit pas dépasser son volume de stockage.
- Couvrir ou emballer les aliments avant de les mettre au réfrigérateur.
- Arranger les aliments pour permettre la libre circulation de l'air à l'intérieur du compartiment.

7.2 Utilisation du panneau de commande

Cette section décrit l'utilisation du panneau de commande pour régler la température de refroidissement.



17 Panneau de commande

- | | |
|------------------------------------|-------------------------|
| ① Touche de sélection de mode | ③ Voyant de mode |
| ② Touche de réglage de température | ④ Voyant de température |

7.2.1 Mise sous tension du réfrigérateur

Cette section décrit comment mettre le réfrigérateur sous tension.

1. Appuyer sur la touche de sélection de mode pendant trois secondes pour mettre le réfrigérateur sous tension. Le voyant de mode s'allumera.
2. S'assurer que le réfrigérateur a complètement refroidi avant d'y ajouter des aliments (24 heures recommandées).

3. Définir le mode du réfrigérateur en appuyant sur la touche de sélection de mode pour sélectionner parmi les options suivantes :
 - **Mode PERFORMANCE** : le réfrigérateur fonctionne en mode AUTO avec cinq niveaux de température disponibles.
 - **Mode SILENT** : le compresseur fonctionne à vitesse constante tandis que le ventilateur extérieur fonctionne à basse vitesse. Le niveau de température maximum est de 3.
 - **Mode ECO** : le réfrigérateur fonctionne en mode AUTO, mais la température est limitée au niveau 1.

7.2.2 Mise hors tension du réfrigérateur

Appuyer sur la touche de sélection de mode pendant trois secondes pour mettre le réfrigérateur hors tension. Le voyant de mode s'éteindra.

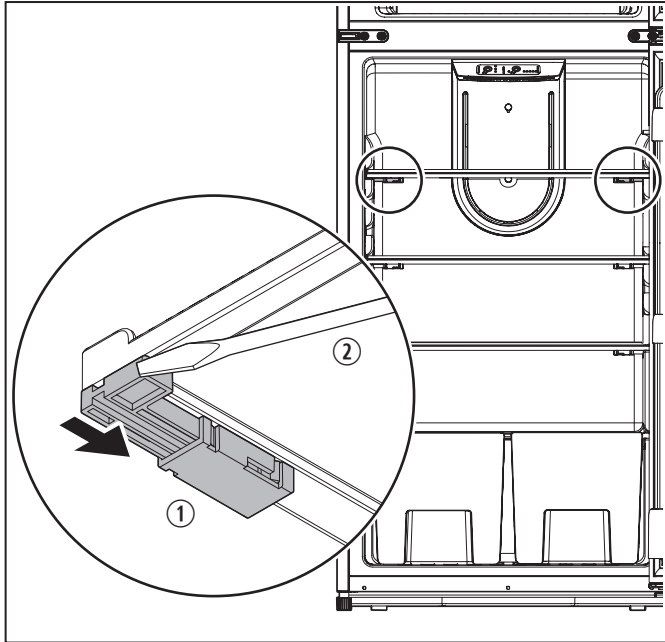
7.2.3 Modification de la température du réfrigérateur

Pour régler la température du réfrigérateur, appuyer sur la touche de réglage de température jusqu'à ce que le voyant de température s'allume au niveau souhaité. Le petit flocon de neige correspond au niveau 1 et le gros flocon au niveau 5.

7.3 Réglage des clayettes

Cette section décrit comment déposer et installer les clayettes du réfrigérateur.

7.3.1 Dépose d'une clayette

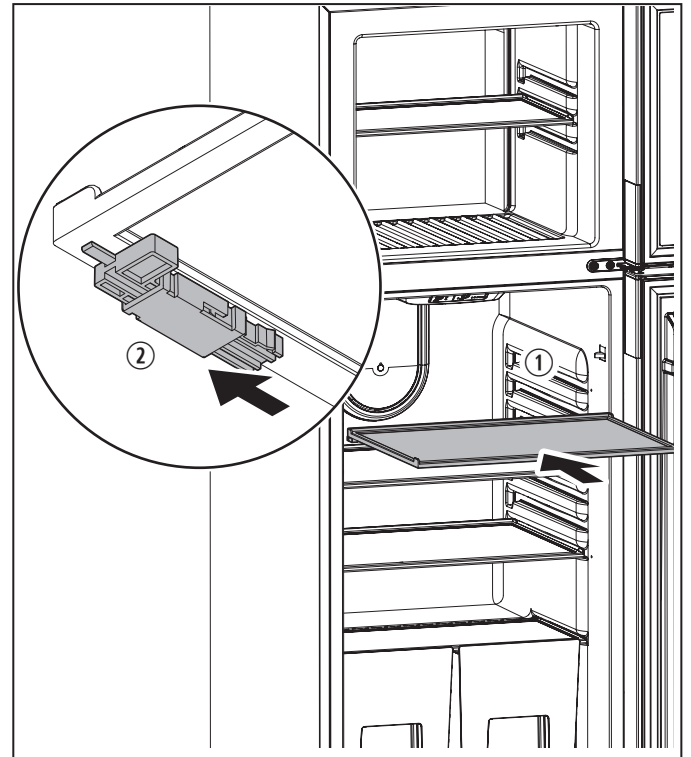


18 Dépose d'une clayette du réfrigérateur

- ① Dispositif de blocage de clayette ② Tournevis

1. Desserrer les deux dispositifs de blocage de clayette sous la clayette :
 - a. Insérer la pointe d'un tournevis plat dans la fente, comme il est montré dans la Figure 18, et glisser le dispositif de blocage de clayette manuellement pour le déverrouiller.
 - b. Répéter l'étape a pour l'autre dispositif de blocage de clayette.
2. Tirer sur le bord avant pour sortir la clayette.

7.3.2 Installation de la clayette



19 Installation d'une clayette dans le réfrigérateur

- ① Rainure dans la paroi interne ② Dispositif de blocage de clayette

1. S'assurer que les deux dispositifs de blocage de clayette sont desserrés.
2. Aligner la clayette sur les rainures dans la paroi interne et glisser la clayette dans les rainures.
3. Pour serrer le dispositif de blocage gauche, pousser son extrémité vers la paroi gauche du réfrigérateur jusqu'à ce qu'elle soit au même niveau que l'extrémité du support de clayette et contre la paroi interne.
4. Répéter l'étape 3 pour le dispositif de blocage droit.

8 Entretien et nettoyage

⚠ AVERTISSEMENT : RISQUE DE DÉCHARGE ÉLECTRIQUE, DE DÉPART DE FEU ET/OU D'EXPLOSION. Le non-respect de ces avertissements pourrait entraîner de graves blessures, voire la mort :

- Toujours débrancher le réfrigérateur de l'alimentation avant un nettoyage et/ou une maintenance.

- La maintenance non incluse dans cette section Entretien et nettoyage **doit** être confiée à un agent technique qualifié.

⚠ AVERTISSEMENT : RISQUE POUR LA SANTÉ.

Ne pas utiliser de produits chimiques toxiques ou dangereux pour accélérer le processus de dégivrage. Le non-respect de cet avertissement pourrait entraîner de graves blessures, voire la mort.

AVIS : Ne pas utiliser de produits nettoyants abrasifs ou d'objets durs durant le nettoyage, et **ne pas** laisser l'eau s'écouler dans les joints; cela pourrait endommager le réfrigérateur.

AVIS : Ne jamais utiliser d'outils mécaniques pour enlever la glace ou décoller des objets collés à l'intérieur du réfrigérateur. Les seules exceptions sont les appareils approuvés à cette fin par le fabricant.

AVIS : Les instructions de maintenance et de nettoyage fournies dans cette section doivent être suivies une fois par an, ou en fonction des besoins selon l'utilisation de l'appareil. Entretien correctement l'appareil, sinon il y aurait risque d'annulation de la garantie et de fonctionnement dangereux. La maintenance préventive n'est **pas** couverte par la garantie.

8.1 Dégivrage du réfrigérateur

Le réfrigérateur a une fonction de dégivrage automatique qui lancera automatiquement un appareil chauffant pour accélérer le dégivrage après un certain temps de fonctionnement.

8.2 Nettoyage du réfrigérateur

AVIS : Utiliser seulement du savon et de l'eau pour nettoyer la surface extérieure, sinon il y a risque d'abîmer la fini du réfrigérateur.

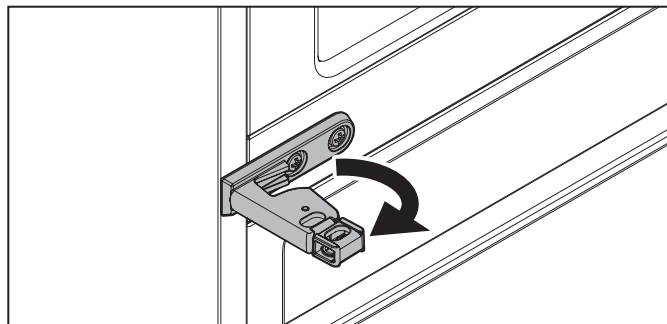
Effectuer ces étapes pour nettoyer correctement le réfrigérateur :

1. Nettoyer régulièrement l'intérieur et dès qu'il devient sale, avec un chiffon humide. Essuyer.
2. Nettoyer régulièrement la poussière et la saleté du ventilateur du condenseur et s'assurer que le ventilateur tourne librement.

8.3 Entreposage du réfrigérateur

Si le réfrigérateur ne doit pas être utilisé pendant un certain temps, procéder comme suit :

1. Vider le contenu du compartiment du réfrigérateur.
2. Nettoyer le réfrigérateur, si nécessaire, comme indiqué à la section « Nettoyage du réfrigérateur » à la page 32.



20 Déploiement de la patte de maintien en position ouverte

3. Laisser la porte entrouverte pour empêcher le développement de moisissure, mildiou ou odeurs désagréables. Utiliser la patte de maintien en position ouverte pour empêcher la fermeture de la porte :
 - a. Ouvrir la porte du congélateur et la porte d'accès aux produits frais pour accéder au dispositif de verrouillage.
 - b. Déployer la patte de maintien en position ouverte à partir du dispositif de blocage.
 - c. Fermer les portes jusqu'à ce qu'elles soient doucement en appui sur la patte de maintien en position ouverte du dispositif de verrouillage de la porte.

9 Dépannage

⚠ AVERTISSEMENT : RISQUE DE DÉCHARGE ÉLECTRIQUE, DE DÉPART DE FEU ET/OU D'EXPLOSION. Le non-respect de ces avertissements pourrait entraîner de graves blessures, voire la mort :

- Toujours débrancher le réfrigérateur de l'alimentation avant un nettoyage et/ou une maintenance.
- La maintenance non incluse dans cette section Dépannage **doit** être confiée à un agent technique qualifié.

Le tableau suivant répertorie les problèmes possibles durant l'utilisation du réfrigérateur, les causes possibles de ces problèmes et les actions recommandées pour remédier à ces problèmes.

Problème	Cause possible	Solution suggérée
Le réfrigérateur ne fonctionne pas.	Le câble électrique est débranché.	S'assurer que le réfrigérateur est branché et alimenté.
	Le réfrigérateur est hors tension.	Appuyer sur la touche de sélection de mode pendant trois secondes pour mettre le réfrigérateur sous tension.
	Un fusible ou un disjoncteur s'est déclenché.	S'assurer que le réfrigérateur est alimenté.
Les aliments sont congelés dans le compartiment du réfrigérateur.	La température interne est réglée trop bas.	Utiliser un réglage de température moins froid.
La température interne du compartiment du réfrigérateur n'est pas assez basse.	Les événements dans le compartiment à produits frais sont bloqués, ce qui empêche le mouvement de l'air froid.	S'assurer que les événements ne sont pas bouchés et que les dégagements autour du réfrigérateur sont respectés.
	Le réfrigérateur est placé trop près de sources de chaleur ou la ventilation est insuffisante.	
	La porte est ouverte trop souvent ou mal fermée.	Limiter le temps d'ouverture de la porte en cours de fonctionnement.
	Une grande quantité d'aliments vient d'être ajoutée dans le compartiment du réfrigérateur.	Laisser refroidir les aliments avant de les mettre au réfrigérateur. L'ajout d'aliments chauds dans le réfrigérateur retarde le refroidissement.
	Le réglage de température est trop élevé.	Utiliser un réglage plus froid sur le thermostat.
Le réfrigérateur semble faire un bruit inhabituel.	Le réfrigérateur n'est pas de niveau au sol.	S'assurer que le réfrigérateur est bien de niveau. Voir « Positionnement du réfrigérateur » à la page 22.
	Le corps du réfrigérateur touche un mur.	S'assurer que les dégagements autour du réfrigérateur sont respectés. Voir « Positionnement du réfrigérateur » à la page 22.
De l'humidité s'est accumulée à l'intérieur.	La porte est ouverte trop souvent ou mal fermée.	Limiter le temps d'ouverture de la porte en cours de fonctionnement et veiller à bien refermer la porte.
	La pièce est humide.	Installer le réfrigérateur à un endroit moins humide, si possible.
	Les aliments ne sont pas correctement emballés.	Suivre les recommandations sur l'emballage. Voir « Mode d'emploi » à la page 29 pour des détails.
La porte ne se ferme pas complètement.	Les emballages des aliments empêchent la fermeture correcte de la porte.	S'assurer que le contenu du compartiment réfrigérant ne bloque pas la porte.
	Les clayettes ne sont pas en position correcte.	S'assurer que les clayettes sont en position correcte.
	Les joints sont sales.	Nettoyer les joints avec un chiffon humide.
	Le réfrigérateur n'est pas de niveau au sol.	S'assurer que le réfrigérateur est bien de niveau. Voir « Positionnement du réfrigérateur » à la page 22.

10 Élimination



Placer les matériaux d'emballage dans les bacs de recyclage appropriés, si possible. Consulter un centre de recyclage local ou un revendeur spécialisé pour en savoir plus sur l'élimination du produit conformément à toutes les réglementations nationales et locales applicables.

GARANTIE LIMITÉE DE UN AN

GARANTIE LIMITÉE DE UN AN DISPONIBLE À WWW.DOMETIC.COM/WARRANTY.

POUR TOUTE QUESTION OU POUR OBTENIR UNE COPIE GRATUITE DE LA GARANTIE LIMITÉE, CONTACTER :

DOMETIC CORPORATION
CUSTOMER SUPPORT CENTER
5155 VERDANT DRIVE
ELKHART, INDIANA, 46516
1 800 544-4881 OPT 1



dometic.com

**YOUR LOCAL
DEALER**

dometic.com/dealer

**YOUR LOCAL
SUPPORT**

dometic.com/contact

**YOUR LOCAL
SALES OFFICE**

dometic.com/sales-offices
