

↗ DOMETIC REFRIGERATION HIPRO



A30, A40, C40, C60, N30, N40

EN	Minibar Operating manual.....	3
FR	Minibar Manuel d'utilisation.....	19
ES	Minibar Instrucciones de uso.....	36
PT	Minibar Manual de instruções.....	53

Copyright

© 2024 Dometic Group. The visual appearance of the contents of this manual is protected by copyright and design law. The underlying technical design and the products contained herein may be protected by design, patent or pending patent. The trademarks mentioned in this manual belong to Dometic Sweden AB. All rights are reserved.

English

1	Important notes.....	3
2	Explanation of symbols.....	3
3	Safety instructions.....	4
4	Accessories.....	6
5	Intended use.....	6
6	Technical description.....	6
7	Operation.....	10
8	Cleaning.....	13
9	Troubleshooting.....	14
10	Disposal.....	16
11	Warranty.....	16
12	Technical data.....	16

1 Important notes

Please read these instructions carefully and follow all instructions, guidelines, and warnings included in this product manual in order to ensure that you install, use, and maintain the product properly at all times. These instructions **MUST** stay with this product.

By using the product, you hereby confirm that you have read all instructions, guidelines, and warnings carefully and that you understand and agree to abide by the terms and conditions as set forth herein. You agree to use this product only for the intended purpose and application and in accordance with the instructions, guidelines, and warnings as set forth in this product manual as well as in accordance with all applicable laws and regulations. A failure to read and follow the instructions and warnings set forth herein may result in an injury to yourself and others, damage to your product or damage to other property in the vicinity. This product manual, including the instructions, guidelines, and warnings, and related documentation, may be subject to changes and updates. For up-to-date product information, please visit documents.dometic.com.

2 Explanation of symbols

A signal word will identify safety messages and property damage messages, and also will indicate the degree or level of hazard seriousness.



DANGER!

Indicates a hazardous situation that, if not avoided, will result in death or serious injury.



WARNING!

Indicates a hazardous situation that, if not avoided, could result in death or serious injury.



CAUTION!

Indicates a hazardous situation that, if not avoided, could result in minor or moderate injury.



NOTICE!

Indicates a situation that, if not avoided, can result in property damage.



NOTE Supplementary information for operating the product.

3 Safety instructions

General safety



WARNING! Electrocutation hazard

- > Ensure that the minibar has been installed by a qualified technician in accordance with the Dometic installation manual.
- > Do not operate the minibar if it is visibly damaged.
- > If this minibar's power cable is damaged, it must be replaced by the manufacturer, a service agent or a similarly qualified person in order to prevent safety hazards.
- > This minibar may only be repaired by qualified personnel. Inadequate repairs may cause serious hazards.
- > When positioning the minibar, ensure the supply cord is not trapped or damaged.
- > Do not locate multiple portable socket-outlets or portable power supplies at the rear of the device.
- > Plug the device to sockets that ensure proper connection especially when the device needs to be grounded.



WARNING! Fire hazard

- > The refrigerant in the refrigerant circuit is highly flammable and in the event of a leakage combustible gases could build up if the appliance is in a small room. In the event of any damage to the refrigerant circuit:
 - Keep naked flames and potential ignition sources away from the minibar.
 - Ventilate the room well.
 - Switch off the minibar.
- > **For minibars with R600a refrigerant:**
 - The refrigeration circuit contains a small quantity of an environmentally friendly but flammable refrigerant. It does not damage the ozone layer and does not increase the greenhouse effect. Any leaking refrigerant may ignite.
 - Do not use or store the minibar in confined spaces with none or minimal air flow.
 - Keep the installation recess for the minibar free of any electrical components and light sources which during normal or abnormal operation produce sparks or arcs (i.e. relays or fuse boxes).
- > Keep the ventilation openings on the device housing or in installations free of obstructions.
- > Do not use any mechanical objects or other means to speed up the defrosting process, other than those recommended by the manufacturer.
- > Do not open or damage the refrigerant circuit.
- > Do not use electrical devices inside the minibar unless they are recommended by the manufacturer for that purpose.



WARNING! Explosion hazard

Do not store any explosive substances, such as spray cans with propellants, in the minibar.



WARNING! Health hazard

- > **For versions with absorption cooling:** Never open the absorber unit. It is under high pressure and can cause injury if it is opened.
- > This device can be used by children aged from 8 years and above and persons with reduced physical, sensory or mental capabilities or lack of experience and knowledge if they have been given supervision or instruction concerning use of the device in a safe way and understand the hazards involved.

- > This device is not intended for use by persons (including children) with reduced physical, sensory or mental capabilities, or lack of experience and knowledge, unless they have been given supervision or instruction concerning use of the device by a person responsible for their safety.
- > Children must be supervised to ensure that they do not play with the minibar.
- > Cleaning and user maintenance may not be carried out by unsupervised children.
- > Children aged from 3 to 8 years are allowed to load and unload the minibar.

**CAUTION! Risk of crushing**

Do not put your fingers into the hinge.

**CAUTION! Health hazard**

Foodstuff may only be stored in its original packaging or in suitable containers.

**NOTICE! Damage hazard**

- > Check that the voltage specification on the data plate is the same as that of the power supply.
- > Insufficient air flow results in a shortened lifespan and a reduced cooling performance. Observe the minimum spacings when installing the minibar to furniture (refer to the installation manual).
- > The insulation of the cooling device contains flammable cyclopentane and requires special disposal procedures. Deliver the cooling device at the end of its life-cycle to an appropriate recycling center.
- > Keep the condensate drain clean at all times.
- > Only carry the minibar upright.

Operating the device safely

**DANGER! Electrocutation hazard**

Do not touch exposed cables with your bare hands.

**CAUTION! Electrocutation hazard**

Before starting the minibar, ensure that the power supply line and the plug are dry.

**CAUTION! Health hazard**

- > Ensure only to put items in the minibar which may be chilled at the selected temperature.
- > Food may only be stored in its original packaging or in suitable containers.
- > Opening the door for long periods can cause significant increase of the temperature in the compartments of the minibar.
- > Clean regularly surfaces that can come in contact with food and accessible drainage systems.
- > If the minibar is left empty for long periods:
 - Switch off the minibar.
 - Defrost the minibar.
 - Clean and dry the minibar.
 - Leave the door open to prevent mold developing within the minibar.

**NOTICE! Damage hazard**

- > Do not place the minibar near naked flames or other heat sources (heaters, direct sunlight, gas ovens etc.).
- > Ensure that the ventilation vents are not covered.
- > Never immerse the minibar in water.

- > Protect the minibar and the cable against heat and moisture.
- > Ensure that foodstuffs do not touch the walls of the cooling area.

4 Accessories

Designation	Explanation
WiFi	For monitoring and controlling the minibar via WiFi using an app
Locks with keys	For lockable versions

5 Intended use

The refrigeration appliance (also referred to as minibar) is intended for cooling and storing beverages and food in closed containers.

The minibar is designed for operation on cruise liners or to be used in household and similar applications such as:

- Staff kitchens in stores, offices and other working environments
- Farmhouses
- Hotels, motels and other residential type environments
- Bed and breakfast type environments
- Catering and similar non-retail applications

The minibar is **not** designed for installation in caravans or motor homes.

The minibar is suitable either as a built-in appliance or as a freestanding refrigeration appliance. Refer to the installation instructions.

C40, C60 only: The minibar is suitable for storing fresh food.

The minibar is **not** suitable for

- Storage of corrosive, caustic or solvent-containing substances
- A30, A40, N30, N40: Storage of fresh foods
- Storage of medicine
- Deep-freezing of foodstuff

This product is only suitable for the intended purpose and application in accordance with these instructions.

This manual provides information that is necessary for proper installation and/or operation of the product. Poor installation and/or improper operation or maintenance will result in unsatisfactory performance and a possible failure.

The manufacturer accepts no liability for any injury or damage to the product resulting from:

- Incorrect installation, assembly or connection, including excess voltage
- Incorrect maintenance or use of spare parts other than original spare parts provided by the manufacturer
- Alterations to the product without express permission from the manufacturer
- Use for purposes other than those described in this manual

Dometic reserves the right to change product appearance and product specifications.

6 Technical description

The minibars are available with different cooling techniques:

- Absorption cooling: A30S1, A30S2, A30P1, A30P2, A30G1, A30G2, A40S1, A40S2, A40P1, A40P2, A40G1, A40G2
- Compressor cooling: C40S1, C40S2, C40P1, C40P2, C40G1, C40G2, C60S1, C60S2, C60G1, C60G2
- Thermoelectric cooling: N30S1, N30S2, N30P1, N30P2, N30G1, N30G2, N40S1, N40S2, N40P1, N40P2, N40G1, N40G2

All materials used are compatible for use with foodstuffs. The refrigerant circuit is maintenance-free.

The minibar has depending on the version one or two shelves and one or two door racks. There is a door rack intended for bottles. A 1.5 l bottle can be stored in the door rack for bottles. If the second door rack is available it is intended for smaller bottles or snacks.

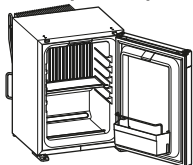
As an option, the minibar can be equipped with an integrated WiFi function hence controllable using an app.

The minibar can be featured with a lock.

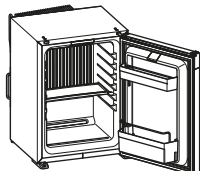
Operating elements of the minibar

1

A30S1, A30P1, A30G1

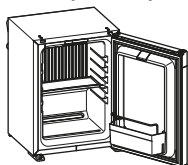


A40S1, A40P1, A40G1

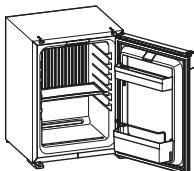


Alpha

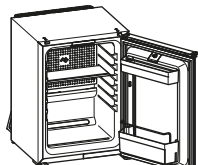
N30S1, N30P1, N30G1



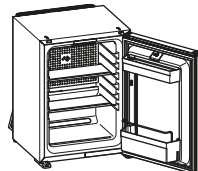
N40S1, N40P1, N40G1



C40S1, C40P1, C40G1

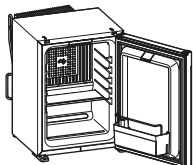


C60S1, C60G1

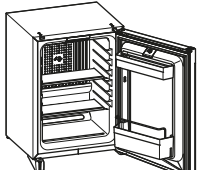


Evolution

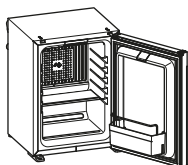
A30S2, A30P2, A30G2



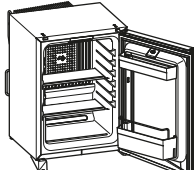
A40S2, A40P2, A40G2



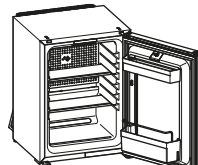
N30S2, N30P2, N30G2



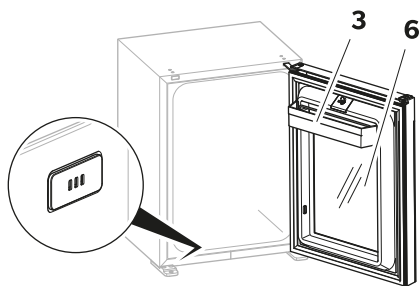
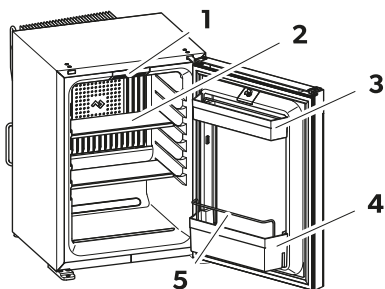
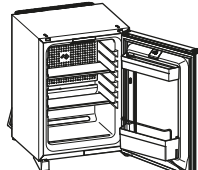
N40S2, N40P2, N40G2



C40S2, C40P2, C40G2

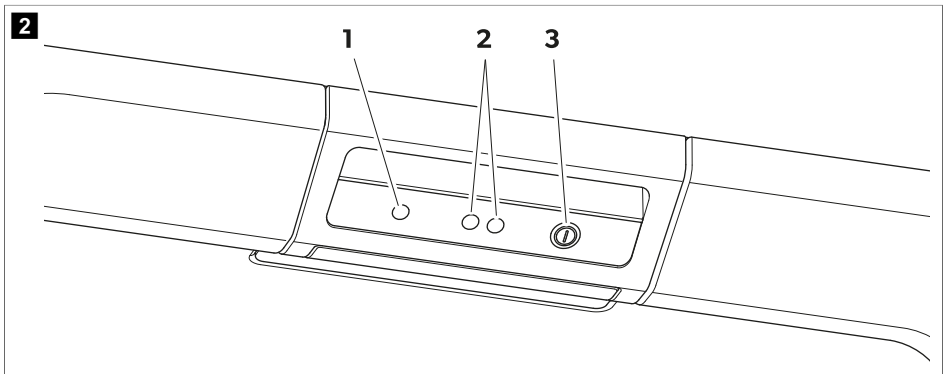


C60S2, C60G2



No. in Fig. 1 on page 8	Explanation
1	Interior light and control element
2	1 Shelf 2 Shelves (A40S2, A40P2, A40G2, C40S2, C40P2, C40G2, C60S2, C60G2, N40S2, N40P2, N40G2)
3	Upper door rack (for A40S1, A40S2, A40P1, A40P2, C40S1, C40S2, C40P1, C40P2, C60S1, C60S2, C60G1, C60G2, N40S1, N40S2, N40P1, N40P2)
4	Lower door rack
5	Bottle holder door (optional)
6	Glass door (optional)
-	Bottom interior light (optional)

Operating panel



No.	Explanation
1	Indicator LED
2	Infrared door sensor
3	⏻ button Switching the minibar on and off Entering the temperature setting Entering the silent mode (only for C40 and C60 with compressor cooling)

Indicator LED

Color	Status	Description
Green	On	Minibar is cooling
Orange	On	Minibar stops cooling (temperature reached or auto-defrost function active)

Color	Status	Description
	Flashing	An error occurred (see chapter Troubleshooting on page 14)
-	Off	Minibar is switched off or in silent mode

7 Operation

Before first use



NOTE Do not store goods in the device for the first 4 hours after start-up.

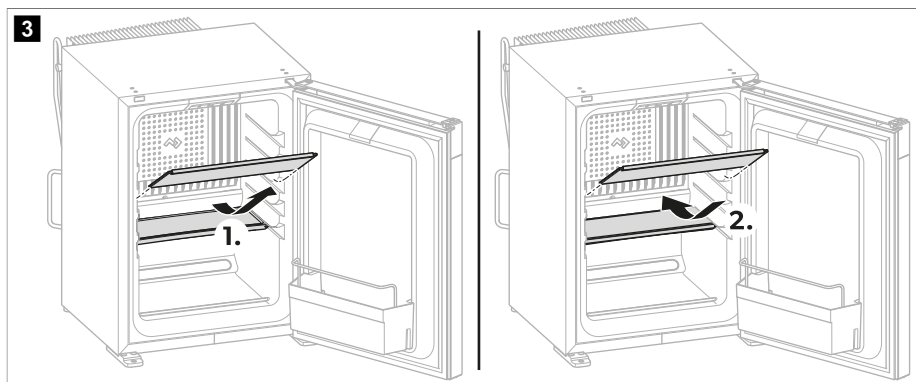
- > Clean the device inside and outside for hygienic reasons.

Saving energy

- Only open the minibar as often and for as long as necessary.
- Avoid unnecessarily low temperature settings.
- For optimal energy consumption, position the shelves and drawers according to their position on delivery.
- On a regularly basis, make sure the door seal still fits properly.
- Clean dust and dirt from the condenser at regular intervals.

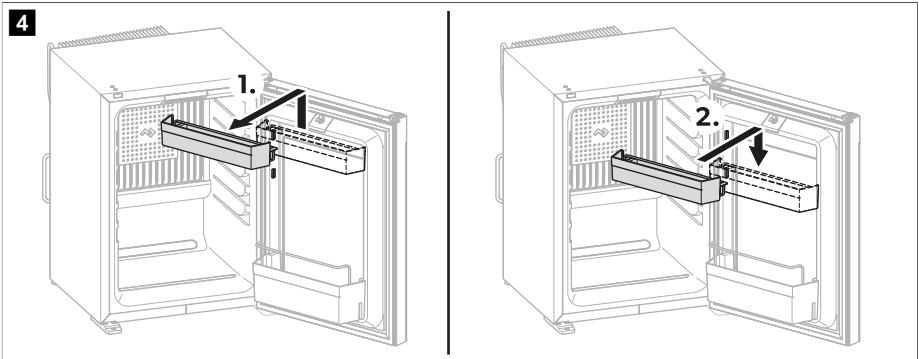
Positioning the shelves

- > To position the shelves proceed as shown in Fig. 3 on page 10.



Positioning the door rack

> To position the door rack proceed as shown in Fig. 4 on page 11.

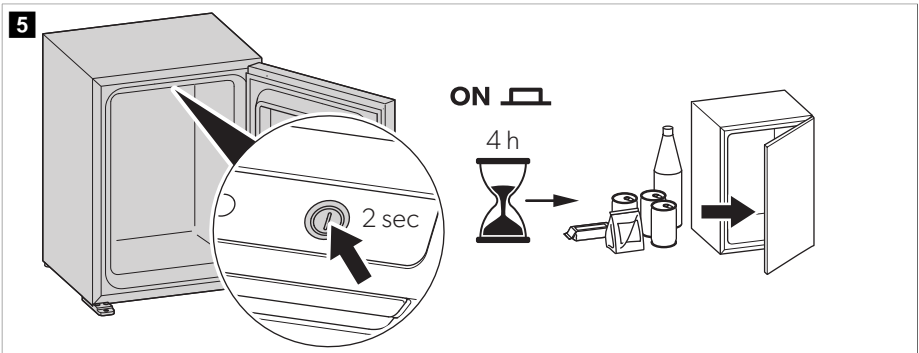


Switching on the minibar



NOTE After switching on, the minibar needs several hours to reach the set cooling temperature.

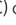
> Plug the power plug into the socket (Fig. 5 on page 11).



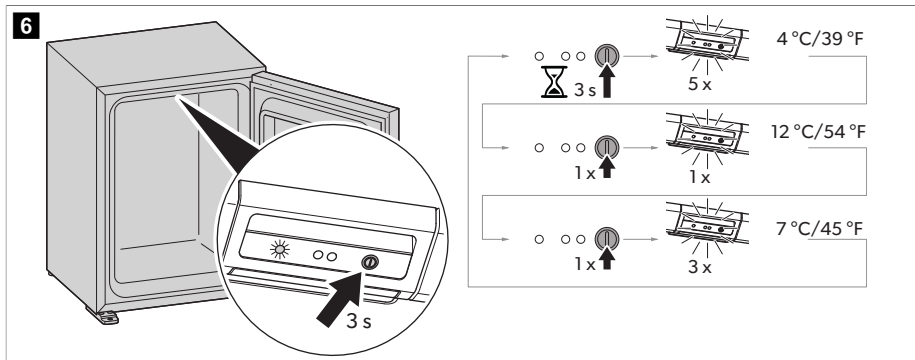
Setting the temperature

To avoid food waste, note the following:

- Keep temperature fluctuation as low as possible. Only open the minibar as often and for as long as necessary. Store the foodstuff in such a way that the air can still circulate well.
- The minibar is equipped with an automatic temperature regulation function. Select the average of the possible temperature values.
- Adjust the temperature to the quantity and type of the foodstuff.

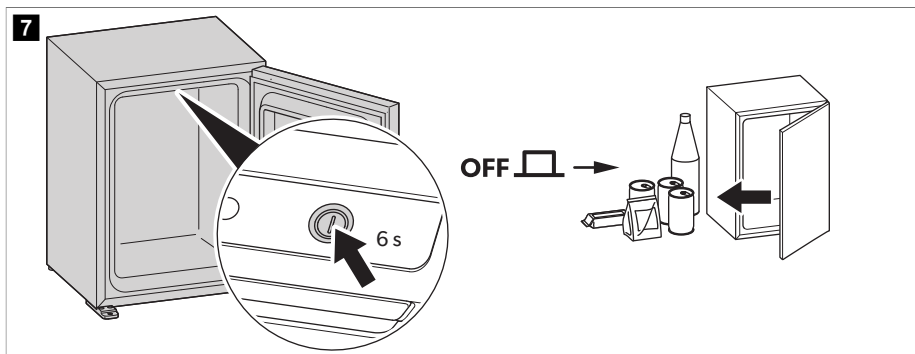
The minibar is equipped with an automatic temperature regulation function. The temperature can be adjusted to 39.2°F (4°C), 44.6°F (7°C) or 53.6°F (12°C). With each press of the  button the cooling temperature switches between the possible values.

> To set the temperature proceed as shown in Fig. 6 on page 12.



Switching off the minibar

> To switch off the minibar proceed as shown in Fig. 7 on page 12.



Setting the silent mode (only for compressor models)

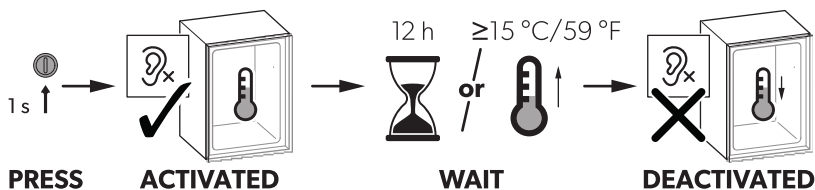
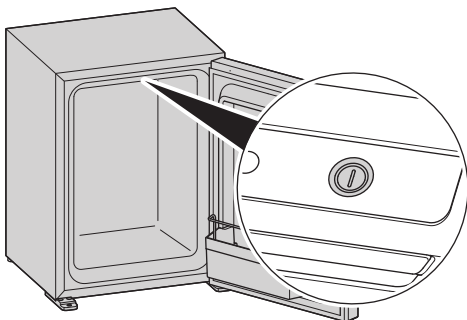
The minibar is equipped with a silent mode.



NOTE When the silent mode is activated, the temperature setting cannot be changed.

1. Set the desired cooling temperature (see chapter Setting the temperature on page 11).
2. To set the silent mode proceed as shown in Fig. 8 on page 13.

8

SILENT MODE**C40, C60****Defrosting**

The minibar is equipped with an auto-defrost function.

Storing

If the minibar is not to be used for a longer period of time, proceed as follows:

1. Pull the power plug out of the socket.
2. Clean the minibar (see chapter *Cleaning* on page 13).

8 Cleaning**WARNING! Electrocuting hazard**

Always disconnect the minibar from the mains before cleaning and maintenance.

**NOTICE! Damage hazard**

- > Do not use abrasive cleaning agents or hard objects during cleaning as these can damage the minibar.
- > Never use hard or sharp tools to remove ice or to free frozen objects on the minibar.
- > Do not use any mechanical tools or any other tools to speed up the defrosting process.
- > Ensure that no water drips into the seals to avoid damage to the electronics.
- > The light source can only be replaced by the manufacturer, a service agent or similarly qualified person to avoid hazard.

**NOTE Condensation moisture on glass doors**

When the ambient humidity is above 65% in 77°F (25°C) ambient temperature, moisture will condense on the glass door.

- > Clean the minibar regularly and as soon as it becomes dirty with a damp cloth.
- > Wipe the minibar dry with a cloth after cleaning.
- > Check the condensate drain regularly.
Clean the condensate drain when necessary. If it is blocked, the condensate collects on the bottom of the minibar.
- > **For absorber versions:** Use a brush or soft cloth annually to remove dust from the absorber unit.

9 Troubleshooting

Problem	Possible cause	Suggested remedy
The minibar is not cooling. The indicator LED is off .	Power plug is not plugged in.	Insert power plug into socket.
	No voltage at the socket.	Check circuit breaker.
	The fuse of the electronics is defective.	<ul style="list-style-type: none"> > Contact an authorized service agent. > Service agent only: Replace the fuse.
The minibar is not cooling. The indicator LED is on .	For versions with absorber cooling: Heating cartridge defective	<ul style="list-style-type: none"> > Contact an authorized service agent. > Service agent only: Install new heating cartridge.
	Electronics or temperature sensors defective.	<ul style="list-style-type: none"> > Contact an authorized service agent. > Service agent only: Install new electronics or sensor.
	Cooling unit is defective.	<ul style="list-style-type: none"> > Contact an authorized service agent. > Service agent only: Replace the minibar.
	Minibar is in silent mode (C40, C60).	No action required (Setting the silent mode (only for compressor models) on page 12).
Minibar is not cooling. Indicator LED flashes orange for x times within a certain period of time.	Flashing 1x: NTC sensor is defective.	<ul style="list-style-type: none"> > Contact an authorized service agent. > Service agent only: Replace the NTC sensor.
	Flashing 3x: Heating cartridge is defective (only for versions with absorber cooling).	<ul style="list-style-type: none"> > Contact an authorized service agent. > Service agent only: Install a new heating cartridge.
	Flashing 5x: CPC (cooling performance control) error.	<ol style="list-style-type: none"> 1. Temporarily disconnect the minibar from the power supply to reset the error. 2. Count the number of flashes that occur after the reset: <ul style="list-style-type: none"> • Flashing 1x: NTC sensor is defective. • Flashing 3x: Heating cartridge is defective (only for versions with absorber cooling). • No flashing: Error is reset.

Problem	Possible cause	Suggested remedy
		<p>3. Flashing 1x or 3x: Contact an authorized service agent.</p> <p>Note: After a longer period of time without troubleshooting, the LED changes back to the interval of flashing 5x.</p>
Minibar is not cooling. Interior light is flashing continuously.	For versions with absorber cooling: Error during self-test of the cooling unit.	<ul style="list-style-type: none"> > Check the cooling unit for leaks. > Check the ventilation grille of the cooling unit and ensure optimal performance. > Wait 24 h for the device to restart cooling. If the device does not restart within 24 h, contact an authorized service agent.
Poor cooling performance	Cooling unit is not sufficiently ventilated.	Provide sufficient ventilation (see Installation Manual).
	Minibar is exposed to direct sunlight.	Remove the minibar out of direct sunlight.
	Door of minibar is not closed with a tight seal.	<p>Check distances (see Installation Manual).</p> <ul style="list-style-type: none"> > Contact an authorized service agent. > Service agent only: Replace door seal
	Minibar recently filled.	Check cooling again after 5 h ... 6 h.
	For versions with absorber cooling: The input voltage is too low or too high.	Check input voltage.
	Auto-defrost function is active.	No action required (see chapter Defrosting on page 13).
Frost formation in the minibar compartment	Door of minibar is not closed with a tight seal.	<p>Check distances (see Installation Manual).</p> <ul style="list-style-type: none"> > Contact an authorized service agent. > Service agent only: Replace door seal
	The minibar continues to cool down without interruption (cooling temperature drops below the set value).	Contact an authorized service agent.
Interior lighting is not working	Interior lighting is defective.	<ul style="list-style-type: none"> > Contact an authorized service agent. > Service agent only: Change interior lighting
	Surface of infrared door sensor is covered, e.g., by condensation.	Clean the surface of the infrared door sensor.

10 Disposal



WARNING! Fire hazard

- > The refrigerant is highly flammable. Do not open or damage the refrigerant circuit.
- > The insulation of the device contains an insulating gas (see data plate). Do not damage the insulation.



Recycling packaging material: Place the packaging material in the appropriate recycling waste bins wherever possible.



Recycling products with non-replaceable batteries, rechargeable batteries, or light sources:

- Dispose the product in accordance with all applicable regulations.
- The product can be disposed free of charge.

11 Warranty

Refer to the sections below for information about warranty and warranty support in the US, Canada, and all other regions.

United States and Canada

LIMITED WARRANTY AVAILABLE AT DOMETIC.COM/WARRANTY.

IF YOU HAVE QUESTIONS OR TO OBTAIN A COPY OF THE LIMITED WARRANTY FREE OF CHARGE, CONTACT:

All Other Regions

The statutory warranty period applies. If the product is defective, please contact the manufacturer's branch in your country (see dometic.com/dealer) or your retailer.

For repair and warranty processing, please include the following documents when you send in the device:

- A copy of the receipt with purchasing date
- A reason for the claim or description of the fault

Note that self-repair or nonprofessional repair can have safety consequences and might void the warranty.

12 Technical data

Follow EPA use conditions.

	HiPro A 30S1, A 30S2, A 30P1, A 30P2, A 30G1, A 30G2	HiPro A 40S1, A 40S2, A 40P1, A 40P2, A 40G1, A 40G2
Input voltage	220 V~ ... 240 V~ 50 / 60 Hz	
Total volume	26 L	33 L
Rated input power	60 ... 70 W	

	HiPro A 30S1, A 30S2, A 30P1, A 30P2, A 30G1, A 30G2	HiPro A 40S1, A 40S2, A 40P1, A 40P2, A 40G1, A 40G2
Climate class and intended ambient temperature use	N: 60.8°F (16°C) ... 89.6°F (32°C) T: 60.8°F (16°C) ... 109.4°F (43°C)	
Noise emission	0 dB(A)	
Refrigerant	R717	
Dimensions (WxHxD)	15.12 × 20.47 × 17.56 in (384 × 520 × 446 mm)	15.94 × 21.65 × 18.35 in (405 × 550 × 466 mm)
Weight:		
With solid door	30.2 lb (13.7 kg)	33.7 lb (15.3 kg)
With panel door	33.1 lb (15 kg)	36.8 lb (16.7 kg)
With glass door	35.1 lb (15.9 kg)	39.5 lb (17.9 kg)

	HiPro C 40S1, C 40S2, C 40P1, C 40P2, C 40G1, C 40G2	HiPro C60S1, C60S2, C60G1, C60G2
Input voltage	220 V~ ... 240 V~ 50 / 60 Hz	
Total volume	33 L	49 L
Rated input power	45 W	
Climate class and intended ambient temperature use	N: 60.8°F (16°C) ... 89.6°F (32°C) T: 60.8°F (16°C) ... 109.4°F (43°C)	
Noise emission	33 dB(A)	38 dB(A)
Refrigerant	R600a	
Dimensions (WxHxD)	15.94 × 21.65 × 18.94 in (405 × 550 × 481 mm)	19.29 × 22.24 × 20.08 in (490 × 565 × 510 mm)
Weight:		
With solid door	38.6 lb (17.5 kg)	43.0 lb (19.5 kg)
With panel door	41.7 lb (18.9 kg)	-
With glass door	44.3 lb (20.1 kg)	49.6 lb (22.5 kg)

EN Dometic HiPro Alpha, Evolution

	HiPro N 30S1, N 30S2, N 30P1, N 30P2, N 30G1, N 30G2	HiPro N 40S1, N 40S2, N 40P1, N 40P2, N 40G1, N 40G2
Input voltage	100 V~ ... 240 V~ 50 / 60 Hz	
Total volume	26 L	33 L
Rated input power	55 W	
Climate class and intended ambient temperature use	N: 60.8°F (16°C) ... 89.6°F (32°C) T: 60.8°F (16°C) ... 109.4°F (43°C)	
Noise emission	0 dB(A)	
Refrigerant	R600a	
Dimensions (WxHxD)	15.12 × 20.47 × 16.34 in (384 × 520 × 415 mm)	15.94 × 21.65 × 17.13 in (405 × 550 × 435 mm)
Weight:		
With solid door	23.6 lb (10.7 kg)	27.6 lb (12.5 kg)
With panel door	26.5 lb (12 kg)	30.6 lb (13.9 kg)
With glass door	28.4 lb (12.9 kg)	33.3 lb (15.1 kg)

Français

1	Remarques importantes.....	19
2	Signification des symboles.....	19
3	Consignes de sécurité.....	20
4	Accessoires.....	22
5	Usage conforme.....	22
6	Description technique.....	23
7	Utilisation.....	26
8	Nettoyage.....	29
9	Dépannage.....	30
10	Mise au rebut.....	32
11	Garantie.....	32
12	Caractéristiques techniques.....	33

1 Remarques importantes

Veillez lire et suivre attentivement l'ensemble des instructions, directives et avertissements figurant dans ce manuel afin d'installer, d'utiliser et d'entretenir le produit correctement à tout moment. Ces instructions DOIVENT rester avec le produit.

En utilisant ce produit, vous confirmez expressément avoir lu attentivement l'ensemble des instructions, directives et avertissements et que vous comprenez et acceptez de respecter les modalités et conditions énoncées dans le présent document. Vous acceptez d'utiliser ce produit uniquement pour l'usage et l'application prévus et conformément aux instructions, directives et avertissements figurant dans le présent manuel, ainsi qu'à toutes les lois et réglementations applicables. En cas de non-respect des instructions et avertissements figurant dans ce manuel, vous risquez de vous blesser ou de blesser d'autres personnes, d'endommager votre produit ou d'endommager d'autres biens à proximité. Le présent manuel produit, y compris les instructions, directives et avertissements, ainsi que la documentation associée peuvent faire l'objet de modifications et de mises à jour. Pour obtenir des informations actualisées sur le produit, consulter le site documents.dometic.com.

2 Signification des symboles

Un mot de signalement identifie les messages relatifs à la sécurité et aux dégâts matériels en indiquant le degré ou le niveau de gravité du danger.



DANGER !

indique une situation dangereuse qui, si elle n'est pas évitée, entraînera des blessures graves, voire mortelles.



AVERTISSEMENT !

indique une situation dangereuse qui, si elle n'est pas évitée, est susceptible d'entraîner des blessures graves, voire mortelles.



ATTENTION !

indique une situation dangereuse qui, si elle n'est pas évitée, est susceptible d'entraîner des blessures légères ou de gravité modérée.



AVIS !

indique une situation dangereuse qui, si elle n'est pas évitée, peut entraîner des dommages matériels.



REMARQUE Informations complémentaires sur l'utilisation de ce produit.

3 Consignes de sécurité

Sécurité générale



AVERTISSEMENT ! Risque d'électrocution

- > Assurez-vous que le minibar a été installé par un technicien qualifié conformément au manuel d'installation de Dometic.
- > Si le minibar présente des dégâts visibles, ne le mettez pas en service.
- > Si le câble de raccordement du minibar est endommagé, il doit être remplacé par le fabricant, un agent de service ou une personne de qualification similaire, afin d'éviter tout danger.
- > Seul un opérateur qualifié est habilité à effectuer des réparations sur le minibar. Une réparation incorrecte peut entraîner de graves dangers.
- > Veillez à ne pas coincer ni endommager le cordon d'alimentation lors de la mise en place du minibar.
- > Ne placez pas de multiprises portables ou de blocs d'alimentation portables à l'arrière de l'appareil.
- > Branchez l'appareil sur des prises permettant un raccordement approprié, en particulier lorsque l'appareil doit être relié à la terre.



AVERTISSEMENT ! Risque d'incendie

- > Le fluide frigorigène du circuit frigorifique s'enflamme facilement. En cas de fuite, des gaz combustibles peuvent s'accumuler si l'appareil se trouve dans une petite pièce. En cas d'endommagement du circuit frigorifique :
 - Tenez le minibar à l'écart de toute flamme nue ou source d'ignition potentielle.
 - Aérez bien la pièce.
 - Éteignez le minibar.
- > **Pour les minibars utilisant du fluide frigorigène R600a :**
 - Le circuit frigorifique contient une faible quantité de liquide de réfrigérant écologique, mais inflammable. Il n'affecte pas la couche d'ozone et ne contribue pas à l'effet de serre. Une fuite de liquide réfrigérant peut prendre feu.
 - N'utilisez pas le minibar et ne le stockez pas dans des espaces confinés avec une aération faible ou inexistante.
 - Veillez à ne pas installer de composants électroniques et de sources lumineuses susceptibles de générer des étincelles ou des arcs électriques lors du fonctionnement normal ou anormal (ex. : relais, compteurs) dans la cavité d'installation du minibar.
- > Dégagez les ouvertures d'aération sur le bâti de l'appareil ou dans les éléments encastrés.
- > N'utilisez pas d'objets mécaniques ou d'autres moyens pour accélérer le processus de dégivrage, outre ceux recommandés par le fabricant.
- > N'ouvrez ou n'endommagez en aucun cas le circuit frigorifique.
- > N'utilisez aucun appareil électrique à l'intérieur du minibar, sauf s'ils sont recommandés par le fabricant pour cet usage.



AVERTISSEMENT ! Risque d'explosion

Ne stockez aucune substance explosive, telle que des aérosols contenant des propulsifs dans le minibar.



AVERTISSEMENT ! Risque pour la santé

- > **Pour les versions avec refroidissement par absorption :** N'ouvrez jamais l'unité de l'absorbeur. Il se trouve sous haute pression et peut provoquer des blessures s'il est ouvert.
- > Cet appareil peut être utilisé par des enfants âgés de 8 ans et plus et des personnes ayant des capacités physiques, sensorielles ou mentales réduites ou un manque d'expérience et de connaissances, s'ils

sont sous surveillance ou ont reçu des instructions sur l'utilisation de l'appareil en toute sécurité et comprennent les risques impliqués.

- > Cet appareil ne doit pas être utilisé par des personnes (y compris les enfants) souffrant de déficiences physiques, sensorielles ou mentales ou manquant d'expérience ou de connaissances, sauf si une personne garante de leur sécurité les surveille ou leur fournit toutes les instructions adéquates concernant son utilisation.
- > Les enfants doivent être surveillés pour garantir qu'ils ne jouent pas avec le minibar.
- > Le nettoyage et la maintenance ne doivent pas être effectués par des enfants sans surveillance.
- > Les enfants âgés de 3 à 8 ans peuvent remplir et vider le minibar.



ATTENTION ! Risque d'écrasement

Ne touchez pas la charnière.



ATTENTION ! Risque pour la santé

Les produits alimentaires doivent être conservés dans leurs emballages originaux ou dans des récipients appropriés.



AVIS ! Risque d'endommagement

- > Vérifiez que la tension indiquée sur la plaque signalétique correspond à l'alimentation électrique dont vous disposez.
- > Un flux d'air insuffisant réduit la durée de vie et les performances de refroidissement du produit. Respectez les espacements minimums lors de l'installation du minibar dans des meubles (reportez-vous au manuel d'installation).
- > L'isolation du dispositif de réfrigération contient des gaz inflammables et nécessite des procédures d'élimination spéciales. À la fin de son cycle de vie, remettez le dispositif de réfrigération à un centre de recyclage approprié.
- > Veillez à ce que l'évacuation de la condensation soit toujours propre.
- > Portez uniquement le minibar en position verticale.

Consignes de sécurité concernant le fonctionnement de l'appareil



DANGER ! Risque d'électrocution

Ne touchez pas les câbles dénudés à mains nues.



ATTENTION ! Risque d'électrocution

Avant de mettre le minibar en service, assurez-vous que le câble et la prise d'alimentation électrique sont secs.



ATTENTION ! Risque pour la santé

- > Assurez-vous de stocker uniquement des objets pouvant être refroidis à la température sélectionnée dans le minibar.
- > Les aliments doivent être conservés dans leur emballage d'origine ou dans des récipients appropriés.
- > Une ouverture prolongée de la porte peut entraîner une augmentation significative de la température dans les compartiments du minibar.
- > Nettoyez régulièrement les surfaces qui entrent en contact avec les aliments, ainsi que les systèmes de drainage accessibles.
- > Si le minibar reste vide pendant une période prolongée :
 - Éteignez le minibar.
 - Dégivrez le minibar.

- Nettoyez et séchez le minibar.
- Laissez la porte ouverte pour éviter que des moisissures ne se forment à l'intérieur du minibar.



AVIS ! Risque d'endommagement

- > Ne placez pas le minibar près de flammes nues ou d'autres sources de chaleur (radiateurs, rayons solaires, fours à gaz, etc.).
- > Assurez-vous que les orifices d'aération ne sont pas recouverts.
- > N'immergez jamais le minibar dans l'eau.
- > Tenez le minibar et les câbles à l'abri de la chaleur et de l'humidité.
- > Assurez-vous que les denrées alimentaires n'entrent pas en contact avec les parois du compartiment de réfrigération.

4 Accessoires

Désignation	Explication
Wi-Fi	Pour surveiller et contrôler le minibar via Wi-Fi à l'aide d'une application
Serrures avec clés	Pour les versions verrouillables

5 Usage conforme

L'appareil de réfrigération (également appelé minibar) est destiné à refroidir et à stocker les boissons et les aliments dans des conteneurs fermés.

Le minibar est conçu pour être utilisé dans des bateaux de croisière ou pour des applications domestiques ou similaires, telles que :

- Dans les réfectoires des magasins, bureaux et autres environnements professionnels
- Dans les maisons d'hôtes
- Dans les hôtels, motels et autres environnements de type résidentiel
- les gîtes et environnements similaires
- la restauration et les applications similaires non liées à la vente au détail

Le minibar n'est **pas** adapté à une installation dans les caravanes ou mobile-homes.

Le minibar est adapté à une utilisation en tant qu'appareil de réfrigération intégré ou autonome. Consultez les instructions d'installation.

C40, C60 uniquement: Le minibar est adapté à stockage d'aliments frais.

Le minibar n'est **pas** adapté à ce qui suit

- Le stockage de substances corrosives, caustiques ou contenant des solvants
- A30, A40, N30, N40: Stockage d'aliments frais
- Stockage de médicaments
- Congélation d'aliments

Ce produit convient uniquement à l'usage et à l'application prévus, conformément au présent manuel d'instructions.

Ce manuel fournit les informations nécessaires à l'installation et/ou à l'utilisation correcte du produit. Une installation, une utilisation ou un entretien inappropriés entraînera des performances insatisfaisantes et une éventuelle défaillance.

Le fabricant décline toute responsabilité en cas de blessure ou de dommage résultant :

- d'une installation, d'un montage ou d'un raccordement incorrect, y compris d'une surtension
- d'un entretien inadapté ou de l'utilisation de pièces de rechange autres que les pièces de rechange d'origine fournies par le fabricant
- de modifications apportées au produit sans autorisation explicite du fabricant
- d'usages différents de ceux décrits dans ce manuel

Dometic se réserve le droit de modifier l'apparence et les spécifications produit.

6 Description technique

Les minibars sont disponibles avec différents modes de refroidissement :

- Refroidissement par absorption : A30S1, A30S2, A30P1, A30P2, A30G1, A30G2, A40S1, A40S2, A40P1, A40P2, A40G1, A40G2
- Refroidissement par compresseur : C40S1, C40S2, C40P1, C40P2, C40G1, C40G2, C60S1, C60S2, C60G1, C60G2
- Refroidissement thermoélectrique : N30S1, N30S2, N30P1, N30P2, N30G1, N30G2, N40S1, N40S2, N40P1, N40P2, N40G1, N40G2

Les matériaux utilisés n'altèrent pas la qualité des aliments. Le circuit frigorifique est sans entretien.

Le minibar dispose selon la version d'une ou deux clayettes et d'un ou deux balconnets. Il est équipé d'un balconnet destiné aux bouteilles. Une bouteille de 1,5 l peut être stockée dans le balconnet pour bouteilles. Le deuxième balconnet (si disponible) est destiné aux petites bouteilles ou aux snacks.

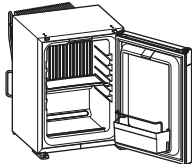
En option, le minibar peut être équipé d'une fonction Wi-Fi intégrée, contrôlable à l'aide d'une application.

Le minibar peut être équipé d'une serrure.

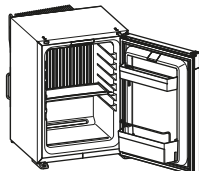
Éléments de commande du minibar

1

A30S1, A30P1, A30G1

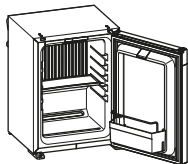


A40S1, A40P1, A40G1

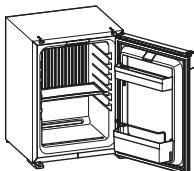


Alpha

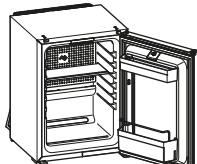
N30S1, N30P1, N30G1



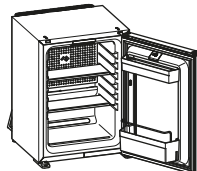
N40S1, N40P1, N40G1



C40S1, C40P1, C40G1

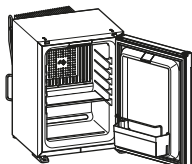


C60S1, C60G1

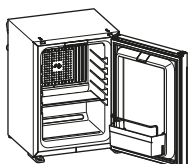


Evolution

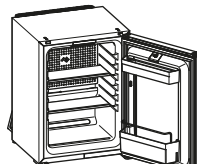
A30S2, A30P2, A30G2



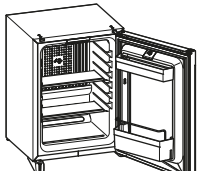
N30S2, N30P2, N30G2



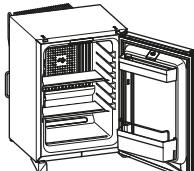
C40S2, C40P2, C40G2



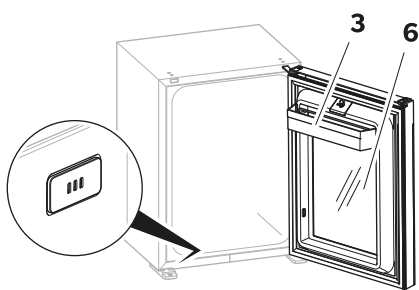
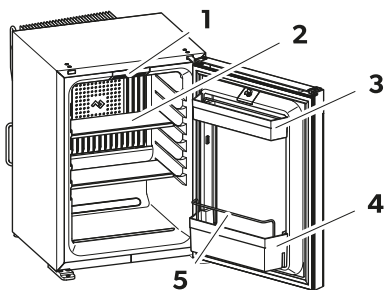
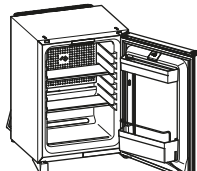
A40S2, A40P2, A40G2



N40S2, N40P2, N40G2

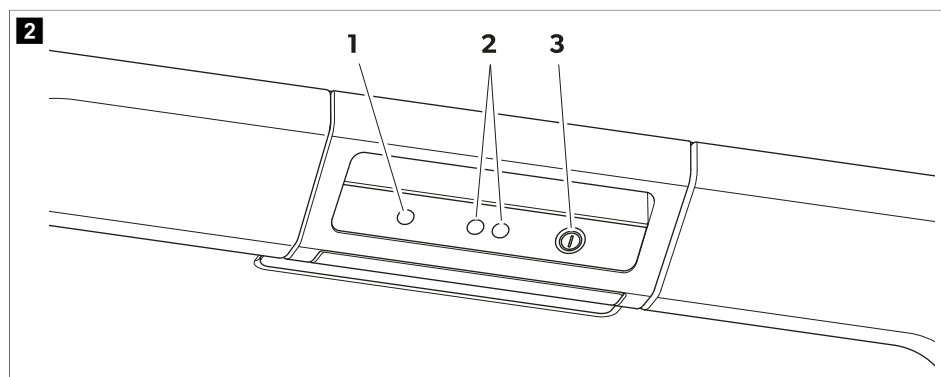



C60S2, C60G2



No. dans fig. 1 à la page 24	Explication
1	Éclairage intérieur et élément de commande
2	1 Clayette 2 clayettes (A40S2, A40P2, A40G2, C40S2, C40P2, C40G2, C60S2, C60G2, N40S2, N40P2, N40G2)
3	Balconnet supérieur (pour A40S1, A40S2, A40P1, A40P2, C40S1, C40S2, C40P1, C40P2, C60S1, C60S2, C60G1, C60G2, N40S1, N40S2, N40P1, N40P2)
4	Balconnet inférieur
5	Porte avec porte-bouteille (en option)
6	Porte en verre (en option)
-	Éclairage intérieur inférieur (en option)

Panneau de commande



Pos.	Explication
1	Voyant LED
2	Détecteur infrarouge de la porte
3	Touche 
	Mise en marche et arrêt du minibar
	Saisie du réglage de la température
	Passage en mode Silencieux (uniquement pour les modèles C40 et C60 avec refroidissement par compresseur)

Voyant LED

Couleur	État	Description
Vert	Marche	Le minibar refroidit
Orange	Marche	Le minibar arrête le refroidissement (température atteinte ou fonction de dégivrage automatique active)

Couleur	État	Description
	Clignote	Une erreur s'est produite (voir chapitre Dépannage à la page 30)
-	Arrêt	Le minibar est éteint ou en mode Silencieux

7 Utilisation

Avant la première utilisation



REMARQUE Ne stockez pas d'aliments dans le réfrigérateur pendant les 4 premières heures suivant sa mise en service.

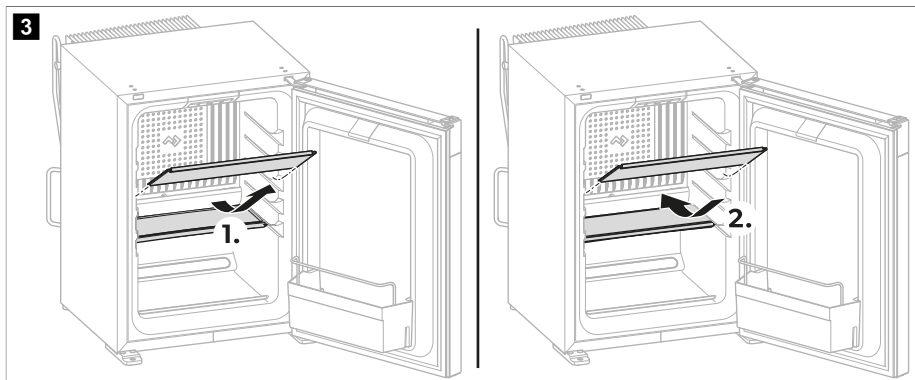
- > Nettoyez l'intérieur et l'extérieur de l'appareil pour des raisons d'hygiène.

Économie d'énergie

- Ouvrez uniquement le minibar lorsque c'est nécessaire et le moins longtemps possible.
- Évitez une température intérieure inutilement basse.
- Pour une consommation d'énergie optimale, positionnez les clayettes et les tiroirs conformément à leur position à la livraison.
- Vérifiez régulièrement que le joint de la porte est correctement positionné.
- Nettoyez régulièrement le condenseur pour enlever la poussière et les salissures.

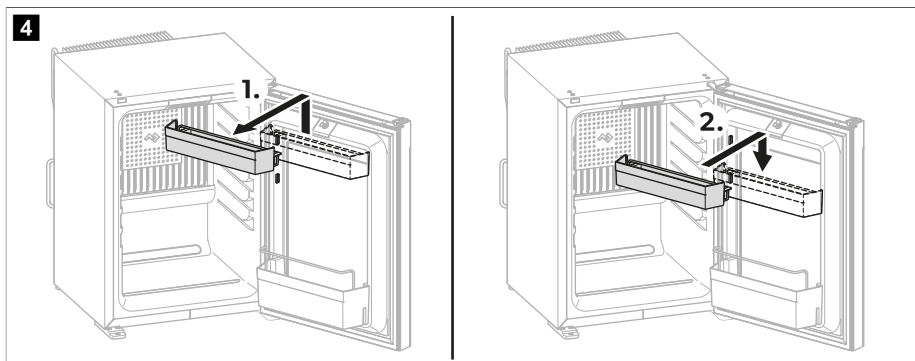
Positionnement des clayettes

- > Pour positionner les clayettes, procédez comme indiqué à la fig. 3 à la page 26.



Positionnement du balconnet

> Pour positionner le balconnet, procédez comme indiqué à la fig. 4 à la page 27.

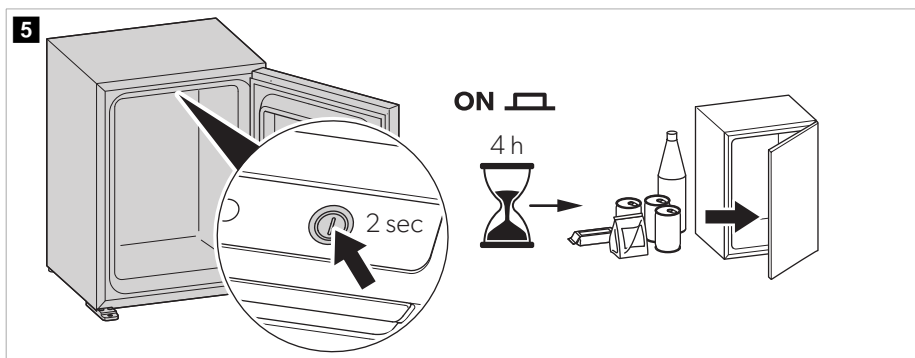


Mise en marche du minibar



REMARQUE Après la mise sous tension, le minibar doit fonctionner plusieurs heures pour atteindre la température de refroidissement définie.

> Branchez le connecteur d'alimentation correctement dans la prise secteur (fig. 5 à la page 27).



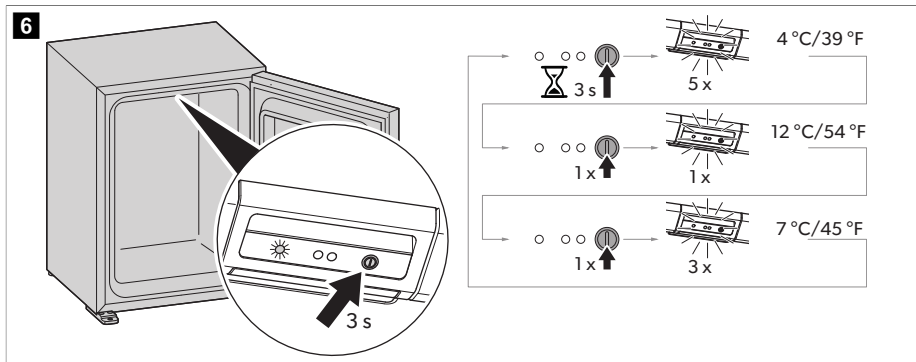
Réglage de la température

Pour éviter de gâcher des aliments, notez les éléments suivants :

- Évitez autant que possible les variations de température. Ouvrez uniquement le minibar lorsque c'est nécessaire et le moins longtemps possible. Entrez les aliments de sorte que l'air puisse circuler librement entre eux.
- Le minibar est équipé d'une fonction de régulation automatique de la température. Sélectionnez la moyenne des valeurs de température possibles.
- Ajustez la température en fonction de la quantité et de la nature des aliments.

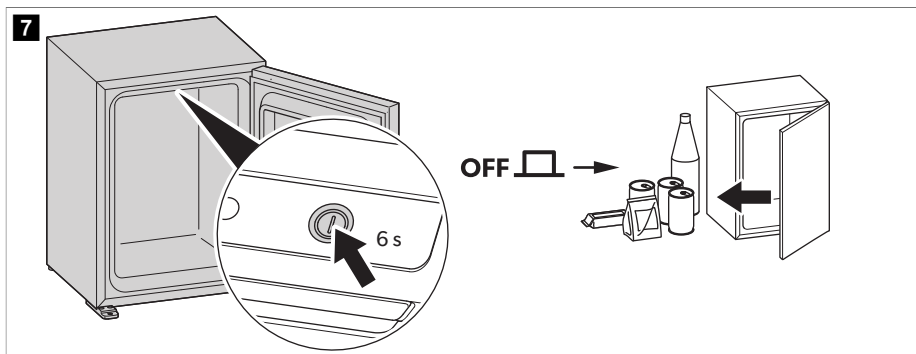
Le minibar est équipé d'une fonction de régulation automatique de la température. La température peut être réglée sur 39,2 °F (4 °C), 44,6 °F (7 °C) ou 53,6 °F (12 °C). À chaque pression du bouton (i), la température de refroidissement commute entre les valeurs possibles.

> Pour régler la température, procédez comme indiqué à la fig. 6 à la page 28.



Mise hors tension du minibar

> Pour éteindre le minibar, procédez comme indiqué à la fig. 7 à la page 28.



Réglage du mode Silencieux (uniquement pour les modèles à compresseur)

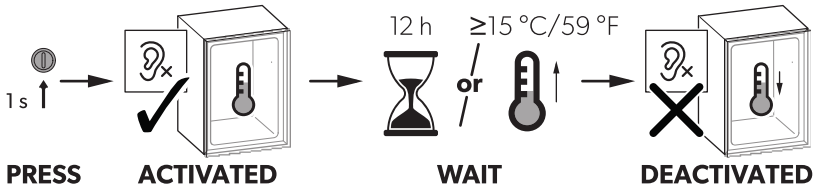
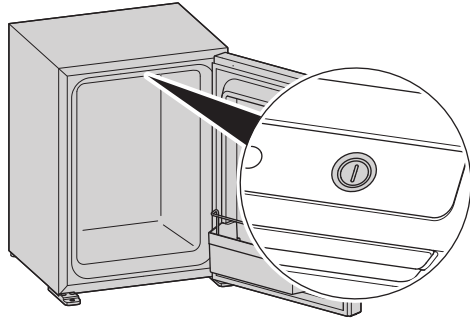
Le minibar est équipé d'un mode silencieux.



REMARQUE Lorsque le mode Silencieux est activé, le réglage de la température ne peut pas être modifié.

1. Réglez la température de refroidissement souhaitée (voir chapitre Réglage de la température à la page 27).
2. Pour régler le mode Silencieux, procédez comme indiqué à la fig. 8 à la page 29.

8

SILENT MODE**C40, C60****Dégivrage**

Le minibar est équipé d'une fonction de dégivrage automatique.

Stockage

Si vous prévoyez de ne pas utiliser le minibar pendant une période prolongée, procédez comme suit :

1. Débranchez le connecteur de la prise.
2. Nettoyez le minibar (voir chapitre *Nettoyage* à la page 29).

8 Nettoyage**AVERTISSEMENT ! Risque d'électrocution**

Débranchez toujours le minibar du secteur avant de le nettoyer et de l'entretenir.

**AVIS ! Risque d'endommagement**

- > N'utilisez ni détergents abrasifs, ni objets durs pour le nettoyage, ceux-ci pouvant endommager le minibar.
- > N'utilisez jamais d'outils durs ou tranchants pour enlever les couches de glace ou pour détacher des objets givrés dans le minibar.
- > N'utilisez aucun moyen mécanique ou autre pour accélérer la procédure de dégivrage.
- > Veillez à ce qu'aucune condensation ne s'accumule au niveau des joints, afin d'éviter d'endommager les composants électroniques.
- > La source d'éclairage doit uniquement être remplacée par le fabricant, un agent de service ou toute autre personne de qualification similaire afin d'éviter tout danger.



REMARQUE Condensation sur les portes en verre

Lorsque l'humidité de l'air est supérieure à 65 % à une température ambiante de 77 °F (25 °C), de la condensation peut se former sur la porte en verre.

- > Nettoyez le minibar régulièrement et dès qu'il est sale, avec un chiffon humide.
- > Essuyez le minibar avec un chiffon après l'avoir nettoyé.
- > Vérifiez régulièrement l'évacuation de la condensation.

Nettoyez l'évacuation de la condensation si nécessaire. Si elle est obstruée, la condensation s'accumule en bas du minibar.

- > **Pour les versions avec absorbeur :** Utilisez une brosse ou un chiffon doux chaque année pour retirer la poussière de l'unité d'absorption.

9 Dépannage

Panne	Cause possible	Solution proposée
Le minibar ne refroidit pas. Le voyant LED est éteint .	Le connecteur d'alimentation n'est pas branché.	Branchez le connecteur d'alimentation sur la prise.
	Aucune tension au niveau de la prise.	Vérifiez le disjoncteur.
	Le fusible des composants électroniques est défectueux.	<ul style="list-style-type: none"> > Contacter un agent de service agréé. > Agent de service uniquement : Changez le fusible.
Le minibar ne refroidit pas. Le voyant LED est allumé .	Pour les versions avec refroidissement par absorption : Cartouche chauffante défectueuse	<ul style="list-style-type: none"> > Contacter un agent de service agréé. > Agent de service uniquement : Installer une nouvelle cartouche chauffante.
	Composants électroniques ou capteurs de température défectueux.	<ul style="list-style-type: none"> > Contacter un agent de service agréé. > Agent de service uniquement : Remplacez les composants électroniques ou le capteur.
	Le groupe de refroidissement est défectueux.	<ul style="list-style-type: none"> > Contacter un agent de service agréé. > Agent de service uniquement : Remplacez le minibar.
	Le minibar est en mode silencieux (C40, C60).	Aucune action requise (Réglage du mode Silencieux (uniquement pour les modèles à compresseur) à la page 28).
Le minibar ne refroidit pas. Le voyant clignote en orange x fois pendant un certain temps.	Clignote 1 fois : Le capteur NTC est défectueux.	<ul style="list-style-type: none"> > Contacter un agent de service agréé. > Agent de service uniquement : Remplacez le capteur NTC.
	Clignote 3 fois : La cartouche chauffante est défectueuse (uniquement pour les versions avec refroidissement par absorption).	<ul style="list-style-type: none"> > Contacter un agent de service agréé. > Agent de service uniquement : Installez une nouvelle cartouche chauffante.

Panne	Cause possible	Solution proposée
	Clignote 5 fois : Erreur CPC (contrôle des performances de refroidissement).	<ol style="list-style-type: none"> 1. Débranchez temporairement le minibar du secteur pour réinitialiser l'erreur. 2. Comptez le nombre de clignotements qui se produisent après la réinitialisation : <ul style="list-style-type: none"> • Clignote 1 fois : Le capteur NTC est défectueux. • Clignote 3 fois : La cartouche chauffante est défectueuse (uniquement pour les versions avec refroidissement par absorption). • Pas de clignotement : L'erreur est réinitialisée. 3. Clignotement 1 ou 3 fois : Contacter un agent de service agréé. <p>Remarque : Après une période prolongée sans dépannage, le voyant LED revient à l'intervalle de 5 clignotements.</p>
Le minibar ne refroidit pas. L'éclairage intérieur clignote en continu.	Pour les versions avec refroidissement par absorption : Erreur lors de l'autotest du groupe de refroidissement.	<ul style="list-style-type: none"> > Vérifiez l'étanchéité du groupe de refroidissement. > Vérifiez la grille de ventilation du groupe de refroidissement et assurez-vous que les performances sont optimales. > Attendez 24 h que l'appareil recommence à refroidir. Si l'appareil ne redémarre pas dans 24 h, contactez un agent de service agréé.
Refroidissement insuffisant	La ventilation du groupe de refroidissement est insuffisante.	Fournissez une ventilation suffisante (voir le manuel d'installation).
	Le minibar est exposé à la lumière directe du soleil.	Placez le minibar à l'abri de la lumière directe du soleil.
	La porte du minibar n'est pas fermée de manière étanche.	<p>Vérifiez les distances (voir le manuel d'installation).</p> <ul style="list-style-type: none"> > Contacter un agent de service agréé. > Agent de service uniquement : Remplacer le joint de la porte
	Le minibar a été récemment rempli.	Vérifiez à nouveau le refroidissement au bout de 5 h ... 6 h.
	Pour les versions avec refroidissement par absorption : La tension d'entrée est trop faible ou trop élevée.	Vérifiez la tension d'entrée.
	La fonction de dégivrage automatique est active.	Aucune action n'est requise (voir le chapitre Dégivrage à la page 29).

Panne	Cause possible	Solution proposée
Formation de givre dans le compartiment du minibar	La porte du minibar n'est pas fermée de manière étanche.	Vérifiez les distances (voir le manuel d'installation). <ul style="list-style-type: none"> > Contacter un agent de service agréé. > Agent de service uniquement : Remplacer le joint de la porte
	Le mini réfrigérateur continue à refroidir sans interruption (la température de refroidissement chute en dessous de la valeur définie).	Contactez un agent de service agréé.
L'éclairage intérieur ne fonctionne pas.	L'éclairage intérieur est défectueux.	<ul style="list-style-type: none"> > Contacter un agent de service agréé. > Agent de service uniquement : Changer l'éclairage intérieur
	La surface du capteur infrarouge de la porte est recouverte de condensation, par ex.	Nettoyez la surface du capteur infrarouge de la porte.

10 Mise au rebut



AVERTISSEMENT ! Risque d'incendie

- > Le réfrigérant est hautement inflammable. N'ouvrez ou n'endommagez en aucun cas le circuit frigorifique.
- > L'isolation de l'appareil comporte un gaz isolant (voir la plaque signalétique). N'endommagez pas l'isolation.



Recyclage des emballages : Dans la mesure du possible, veuillez éliminer les emballages dans les conteneurs de déchets recyclables prévus à cet effet.



Recyclage des produits contenant des piles non remplaçables, des batteries ou des sources lumineuses rechargeables :

- Mettez le produit au rebut conformément à toutes les réglementations en vigueur.
- Le produit peut être mis au rebut gratuitement.

11 Garantie

Consultez les sections ci-dessous pour de plus amples informations relatives à la garantie et l'assistance dans le cadre de la garantie aux États-Unis, au Canada et dans toutes les autres régions.

États-Unis et Canada

GARANTIE LIMITÉE DISPONIBLE À L'ADRESSE DOMETIC.COM/WARRANTY.

POUR TOUTE QUESTION OU POUR OBTENIR UNE COPIE GRATUITE DE LA GARANTIE LIMITÉE, CONTACTEZ :

DOMETIC CORPORATION
 CUSTOMER SUPPORT CENTER
 5155 VERDANT DRIVE
 ELKHART, INDIANA 46516
 1-800-544-4881

Toutes les autres régions

La période de garantie légale s'applique. Si le produit s'avérait défectueux, contactez la succursale du fabricant située dans votre pays (voir dometic.com/dealer) ou votre revendeur.

Pour toutes réparations ou autres prestations de garantie, veuillez joindre à l'appareil les documents suivants :

- une copie de la facture avec la date d'achat
- un motif de réclamation ou une description du dysfonctionnement

Notez que toute réparation effectuée par une personne non agréée peut présenter un risque de sécurité et annuler la garantie.

12 Caractéristiques techniques

Respectez les consignes d'utilisation EPA.

	HiPro A 30S1, A 30S2, A 30P1, A 30P2, A 30G1, A 30G2	HiPro A 40S1, A 40S2, A 40P1, A 40P2, A 40G1, A 40G2
Tension d'entrée	220 V~ ... 240 V~ 50 / 60 Hz	
Volume total	26 L	33 L
Alimentation d'entrée nominale	60 ... 70 W	
Classe climatique et utilisation à la température ambiante prévue	N : 60,8 °F (16 °C) ... 89,6 °F (32 °C) T : 60,8 °F (16 °C) ... 109,4 °F (43 °C)	
Niveau de bruit	0 dB(A)	
Réfrigérant	R717	
Dimensions (l x H x P)	15,12 × 20,47 × 17,56 in (384 × 520 × 446 mm)	15,94 × 21,65 × 18,35 in (405 × 550 × 466 mm)
Poids :		
Avec porte pleine	30,2 lb (13,7 kg)	33,7 lb (15,3 kg)
Avec porte à panneau	33,1 lb (15 kg)	36,8 lb (16,7 kg)
Avec porte en verre	35,1 lb (15,9 kg)	39,5 lb (17,9 kg)
	HiPro C 40S1, C 40S2, C 40P1, C 40P2, C 40G1, C 40G2	HiPro C60S1, C60S2, C60G1, C60G2
Tension d'entrée	220 V~ ... 240 V~ 50 / 60 Hz	

FR Dometic HiPro Alpha, Evolution

	HiPro C 40S1, C 40S2, C 40P1, C 40P2, C 40G1, C 40G2	HiPro C60S1, C60S2, C60G1, C60G2
Volume total	33 L	49 L
Alimentation d'entrée nominale	45 W	
Classe climatique et utilisation à la température ambiante prévue	N : 60,8 °F (16 °C) ... 89,6 °F (32 °C) T : 60,8 °F (16 °C) ... 109,4 °F (43 °C)	
Niveau de bruit	33 dB(A)	38 dB(A)
Réfrigérant	R600a	
Dimensions (l x H x P)	15,94 × 21,65 × 18,94 in (405 × 550 × 481 mm)	19,29 × 22,24 × 20,08 in (490 × 565 × 510 mm)
Poids :		
Avec porte pleine	38,6 lb (17,5 kg)	43,0 lb (19,5 kg)
Avec porte à panneau	41,7 lb (18,9 kg)	-
Avec porte en verre	44,3 lb (20,1 kg)	49,6 lb (22,5 kg)

	HiPro N 30S1, N 30S2, N 30P1, N 30P2, N 30G1, N 30G2	HiPro N 40S1, N 40S2, N 40P1, N 40P2, N 40G1, N 40G2
Tension d'entrée	100 V~ ... 240 V~ 50 / 60 Hz	
Volume total	26 L	33 L
Alimentation d'entrée nominale	55 W	
Classe climatique et utilisation à la température ambiante prévue	N : 60,8 °F (16 °C) ... 89,6 °F (32 °C) T : 60,8 °F (16 °C) ... 109,4 °F (43 °C)	
Niveau de bruit	0 dB(A)	
Réfrigérant	R600a	
Dimensions (l x H x P)	15,12 × 20,47 × 16,34 in (384 × 520 × 415 mm)	15,94 × 21,65 × 17,13 in (405 × 550 × 435 mm)
Poids :		
Avec porte pleine	23,6 lb (10,7 kg)	27,6 lb (12,5 kg)
Avec porte à panneau	26,5 lb (12 kg)	30,6 lb (13,9 kg)

	<p>HiPro</p> <p>N 30S1, N 30S2, N 30P1, N 30P2, N 30G1, N 30G2</p>	<p>HiPro</p> <p>N 40S1, N 40S2, N 40P1, N 40P2, N 40G1, N 40G2</p>
Avec porte en verre	28,4 lb (12,9 kg)	33,3 lb (15,1 kg)

Español

1	Notas importantes.....	36
2	Explicación de los símbolos.....	36
3	Indicaciones de seguridad.....	37
4	Accesorios.....	39
5	Uso previsto.....	39
6	Descripción técnica.....	40
7	Funcionamiento.....	43
8	Limpieza.....	46
9	Solución de problemas.....	47
10	Eliminación.....	49
11	Garantía.....	49
12	Datos técnicos.....	50

1 Notas importantes

Lea atentamente estas instrucciones y siga las indicaciones, directrices y advertencias incluidas en este manual para asegurarse de que instala, utiliza y mantiene correctamente el producto en todo momento. Estas instrucciones DEBEN conservarse junto con este producto.

Al utilizar el producto, usted confirma que ha leído cuidadosamente todas las instrucciones, directrices y advertencias, y que entiende y acepta cumplir los términos y condiciones aquí establecidos. Usted se compromete a utilizar este producto solo para el propósito y la aplicación previstos y de acuerdo con las instrucciones, directrices y advertencias establecidas en este manual del producto, así como de acuerdo con todas las leyes y reglamentos aplicables. La no lectura y observación de las instrucciones y advertencias aquí expuestas puede causarle lesiones a usted o a terceros, daños en el producto o daños en otras propiedades cercanas. Este manual del producto, incluyendo las instrucciones, directrices y advertencias, y la documentación relacionada, pueden estar sujetos a cambios y actualizaciones. Para obtener información actualizada sobre el producto, visite documents.dometic.com.

2 Explicación de los símbolos

Una palabra de advertencia señalará los mensajes de seguridad y de daño material, y también indicará el grado o nivel de gravedad del riesgo.



¡PELIGRO!

Indica una situación peligrosa que, de no evitarse, ocasionará la muerte o lesiones graves.



¡ADVERTENCIA!

Indica una situación peligrosa que, de no evitarse, puede ocasionar la muerte o lesiones graves.



¡ATENCIÓN!

Indica una situación peligrosa que, de no evitarse, puede ocasionar lesiones moderadas o leves.



¡AVISO!

Indica una situación peligrosa que, de no evitarse, puede provocar daños materiales.



NOTA Información complementaria para el manejo del producto.

3 Indicaciones de seguridad

Seguridad general



¡ADVERTENCIA! Riesgo de electrocución

- > Asegúrese de que el minibar sea instalado por un técnico cualificado de acuerdo con el manual de instalación de Dometic.
- > No ponga el minibar en funcionamiento si presenta desperfectos visibles.
- > Si el cable de conexión de este minibar está dañado, debe ser reemplazado por el fabricante, un técnico de mantenimiento o una persona con cualificación similar para evitar posibles peligros.
- > Este minibar solo puede ser reparado por personal cualificado. Las reparaciones realizadas incorrectamente pueden generar situaciones de considerable peligro.
- > Cuando ubique el minibar, asegúrese de que el cable de suministro eléctrico no se haya quedado atrapado o esté dañado.
- > No coloque varias tomas o suministros de corriente portátiles detrás del aparato.
- > Conecte el aparato a enchufes que garanticen una conexión correcta, sobre todo cuando el aparato requiera una toma de tierra.



¡ADVERTENCIA! Peligro de incendio

- > El refrigerante del circuito de refrigeración es altamente inflamable y en caso de que se produjera una fuga, se podrían formar gases combustibles si el aparato se encuentra en un recinto pequeño. En caso de daños en el circuito de refrigeración:
 - Mantenga cualquier llama o posible fuente de ignición alejadas del minibar.
 - Ventile bien el recinto.
 - Apague el minibar.
- > **Para minibares con refrigerante R600a:**
 - El circuito de refrigeración contiene una pequeña cantidad de refrigerante compatible con el medio ambiente, pero inflamable. No daña la capa de ozono ni aumenta el efecto invernadero. Toda fuga de refrigerante puede incendiarse.
 - No utilice ni guarde el minibar en espacios cerrados con poca o nula ventilación.
 - Mantenga el hueco de instalación del minibar libre de cualquier componente eléctrico y fuentes de luz que produzcan chispas o arcos voltaicos (por ejemplo, relés o cajas de fusibles).
- > Mantenga libres de obstáculos las aberturas de ventilación de la carcasa del aparato o de construcciones empotradas.
- > No utilice objetos mecánicos u otros medios para acelerar el proceso de desescarche, salvo los recomendados por el fabricante.
- > No abra o dañe el circuito de refrigerante.
- > No utilice dispositivos eléctricos en el interior del minibar a no ser que estén recomendados por el fabricante.



¡ADVERTENCIA! Peligro de explosión

No guarde en el minibar sustancias explosivas, tales como aerosoles propelentes.



¡ADVERTENCIA! Riesgo para la salud

- > **Para las versiones con refrigeración por absorción:** No abra nunca el grupo absorbedor. Está bajo alta presión y puede causar lesiones si se abre.
- > Este aparato puede ser utilizado por menores a partir de 8 años y personas con capacidad física, sensorial o mental reducida, o con falta de experiencia y conocimientos, siempre que lo hagan bajo

supervisión o hayan recibido instrucciones relativas al uso del mismo de manera segura y entendiendo los riesgos asociados.

- > Este aparato no está previsto para que lo usen personas (incluidos niños) con sus capacidades físicas, sensitivas o mentales limitadas o sin la experiencia y los conocimientos pertinentes, siempre y cuando no haya una persona responsable de la seguridad que supervise adecuadamente o explique detalladamente su uso.
- > Asegúrese de que los niños no jueguen con el minibar.
- > Los niños solo podrán realizar las tareas de limpieza y mantenimiento bajo vigilancia.
- > Los menores de 3 a 8 años pueden introducir y extraer productos del minibar.



¡ATENCIÓN! Riesgo de aplastamiento

No introduzca la mano en el tope de la tapa.



¡ATENCIÓN! Riesgo para la salud

Los alimentos solo se pueden guardar en los envases originales o en recipientes adecuados.



¡AVISO! Peligro de daños

- > Compruebe que la especificación de tensión indicada en la placa de características sea igual a la de la fuente de alimentación.
- > Un flujo de aire insuficiente reduce la vida útil y el rendimiento del enfriamiento. Tenga en cuenta la separación mínima al instalar el minibar en los muebles (consulte el manual de instalación).
- > El aislamiento de la nevera contiene ciclopentano y requiere una gestión de residuos especial. Deposite el aparato de refrigeración en un centro de reciclaje adecuado al finalizar su vida útil.
- > Mantenga siempre limpio el drenaje de condensado.
- > Traslade el minibar siempre en posición vertical.

Uso seguro del aparato



¡PELIGRO! Riesgo de electrocución

No toque los cables sin aislamiento directamente con las manos.



¡ATENCIÓN! Riesgo de electrocución

Antes de poner el minibar en funcionamiento, asegúrese de que el cable de alimentación y la clavija de enchufe estén secos.



¡ATENCIÓN! Riesgo para la salud

- > Asegúrese de guardar en el minibar solamente aquellos productos que puedan enfriarse a la temperatura seleccionada.
- > Los alimentos solo se pueden almacenar con su envase original o en recipientes adecuados.
- > Dejar la puerta abierta durante un período prolongado puede producir un incremento considerable de la temperatura en los compartimentos del minibar.
- > Limpie periódicamente las superficies que puedan estar en contacto con alimentos y los sistemas de desagüe accesibles.
- > Si el minibar se deja vacío durante un tiempo prolongado:
 - Apague el minibar.
 - Descongele el minibar.
 - Limpie y seque el minibar.
 - Deje la puerta abierta para evitar que se genere moho dentro del minibar.



¡AVISO! Peligro de daños

- > No coloque el minibar cerca de llamas vivas ni de otras fuentes de calor (calefactores, radiación directa del sol, estufas de gas, etc.).
- > Asegúrese de que los orificios de ventilación no estén obstruidos.
- > No sumerja nunca el minibar en agua.
- > Proteja el minibar y los cables contra el calor y la humedad.
- > Asegúrese de que los alimentos no entren en contacto con las paredes del área de refrigeración.

4 Accesorios

Denominación	Explicación
WiFi	Para vigilar y controlar el minibar a través de WiFi utilizando una app
Cerraduras con llaves	Para las versiones con cerradura

5 Uso previsto

Este aparato de refrigeración (también llamado minibar) ha sido diseñado para refrigerar y almacenar bebidas y comidas en recipientes cerrados.

El minibar está diseñado para el uso en cruceros o en aplicaciones domésticas y similares, como:

- Cocinas de personal situadas en tiendas, oficinas y otras zonas de trabajo
- Casas rurales
- Hoteles, moteles y otros entornos de carácter residencial
- Ambientes de tipo "bed and breakfast"
- Catering y aplicaciones similares no comerciales

El minibar **no** es adecuado para ser instalado en caravanas o autocaravanas.

El minibar es adecuado para ser empotrado en un mueble o como aparato de refrigeración independiente. Consulte las instrucciones de instalación.

Solo C40, C60: El minibar es adecuado para almacenar alimentos frescos.

El minibar **no** es adecuado para:

- Guardar sustancias corrosivas o que contengan disolventes
- A30, A40, N30, N40: Almacenar alimentos frescos
- Almacenar medicamentos
- Congelar productos alimenticios

Este producto solo es apto para el uso previsto y la aplicación de acuerdo con estas instrucciones.

Este manual proporciona la información necesaria para la correcta instalación y/o funcionamiento del producto. Una instalación deficiente o un uso y mantenimiento inadecuados conllevan un rendimiento insatisfactorio y posibles fallos.

El fabricante no se hace responsable de ninguna lesión o daño en el producto ocasionados por:

- Una instalación, un montaje o una conexión incorrectos, incluido un exceso de tensión
- Un mantenimiento incorrecto o el uso de piezas de repuesto distintas de las originales proporcionadas por el fabricante
- Modificaciones realizadas en el producto sin el expreso consentimiento del fabricante

- Uso con una finalidad distinta de la descrita en las instrucciones

Dometic se reserva el derecho de cambiar la apariencia y las especificaciones del producto.

6 Descripción técnica

Los minibares están disponibles con varios sistemas de refrigeración:

- Refrigeración por absorción: A30S1, A30S2, A30P1, A30P2, A30G1, A30G2, A40S1, A40S2, A40P1, A40P2, A40G1, A40G2
- Refrigeración por compresor: C40S1, C40S2, C40P1, C40P2, C40G1, C40G2, C60S1, C60S2, C60G1, C60G2
- Refrigeración termoeléctrica: N30S1, N30S2, N30P1, N30P2, N30G1, N30G2, N40S1, N40S2, N40P1, N40P2, N40G1, N40G2

Todos los materiales utilizados son aptos para el uso con alimentos. El circuito de refrigeración no requiere mantenimiento.

Dependiendo de la versión, el minibar dispone de uno o dos estantes y una o dos repisas de puerta. Hay una repisa de puerta destinada a las botellas. La repisa de puerta admite una botella de 1,5 litros. Si el aparato dispone de una segunda repisa de puerta, se utilizará para botellas pequeñas o aperitivos.

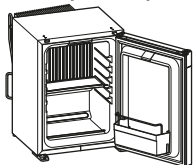
De manera opcional, el minibar se puede equipar con una función WiFi integrada que permite controlar el aparato mediante una app.

El minibar puede ir equipado con una cerradura.

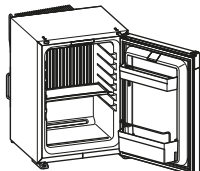
Elementos de mando del minibar

1

A30S1, A30P1, A30G1

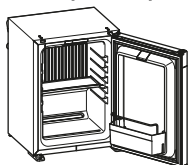


A40S1, A40P1, A40G1

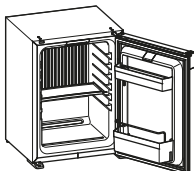


Alpha

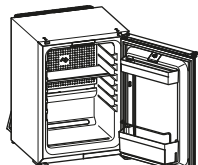
N30S1, N30P1, N30G1



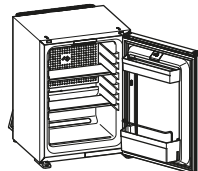
N40S1, N40P1, N40G1



C40S1, C40P1, C40G1

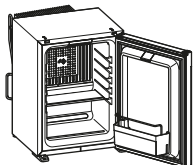


C60S1, C60G1

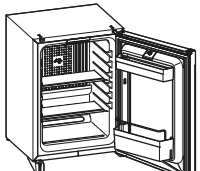


Evolution

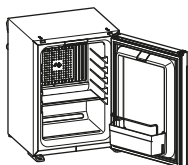
A30S2, A30P2, A30G2



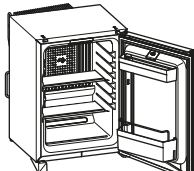
A40S2, A40P2, A40G2



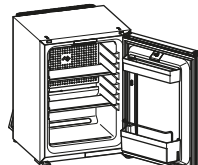
N30S2, N30P2, N30G2



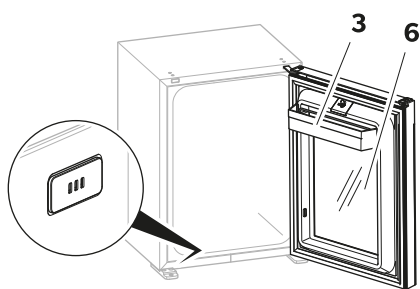
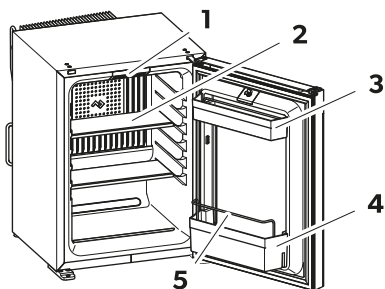
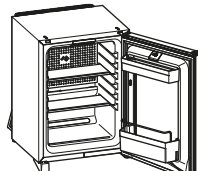
N40S2, N40P2, N40G2



C40S2, C40P2, C40G2

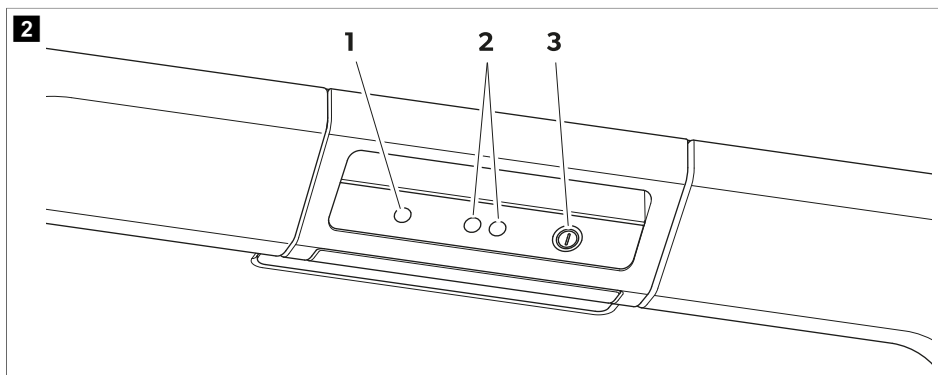


C60S2, C60G2



N.º en fig. 1 en la página 41	Explicación
1	Luz interior y elemento de control
2	1 estante 2 estantes (A40S2, A40P2, A40G2, C40S2, C40P2, C40G2, C60S2, C60G2, N40S2, N40P2, N40G2)
3	Repisa de puerta superior (para A40S1, A40S2, A40P1, A40P2, C40S1, C40S2, C40P1, C40P2, C60S1, C60S2, C60G1, C60G2, N40S1, N40S2, N40P1, N40P2)
4	Repisa de puerta inferior
5	Puerta con botellero (opcional)
6	Puerta de cristal (opcional)
-	Luz interior inferior (opcional)

Panel de control



Núm.	Explicación
1	LED indicador
2	Sensor de infrarrojos de la puerta
3	Botón
	Encender o apagar el minibar
	Introducción del ajuste de temperatura
	Iniciar el modo silencioso (solo para C40 y C60 con refrigeración por compresor)

LED indicador

Color	Estado	Descripción
Verde	Encendido	El minibar está refrigerando
Naranja	Encendido	El minibar deja de refrigerar (temperatura alcanzada o función de desescarche automático activa)

Color	Estado	Descripción
	Intermitencia	Se ha producido un error (consulte el capítulo Solución de problemas en la página 47)
-	Apagado	El minibar está apagado o en modo silencioso

7 Funcionamiento

Antes del primer uso



NOTA No conserve alimentos en el aparato durante las primeras 4 horas tras la puesta en marcha.

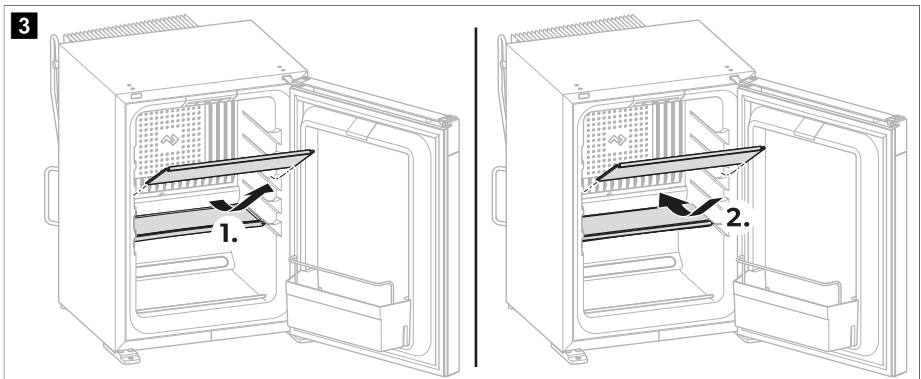
- > Limpie el aparato por dentro y por fuera por motivos de higiene.

Ahorro de energía

- Abra el minibar solamente el tiempo y las veces que sea necesario.
- No regule una temperatura innecesariamente baja en el interior.
- Para un consumo de energía óptimo, coloque los estantes y cajones en la misma posición que ocupan en el momento de la entrega.
- Compruebe periódicamente que la junta de la puerta encaja correctamente.
- Elimine regularmente el polvo y la suciedad del condensador.

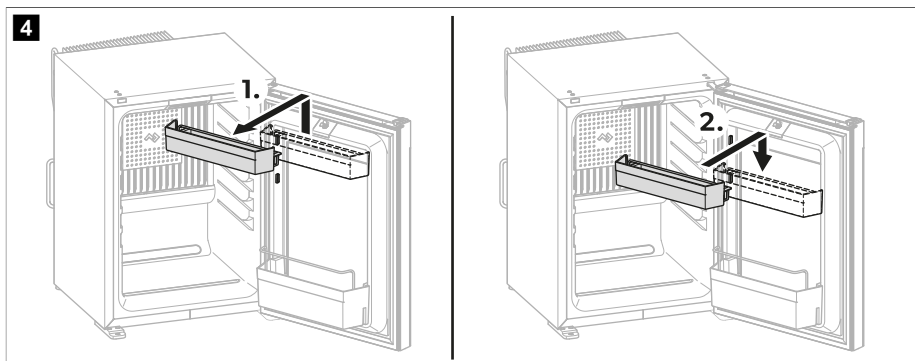
Colocación de los estantes

- > Para colocar los estantes, siga las indicaciones de la fig. 3 en la página 43.



Colocación de la repisa de puerta

> Para colocar la repisa de puerta, siga las indicaciones de la fig. 4 en la página 44.

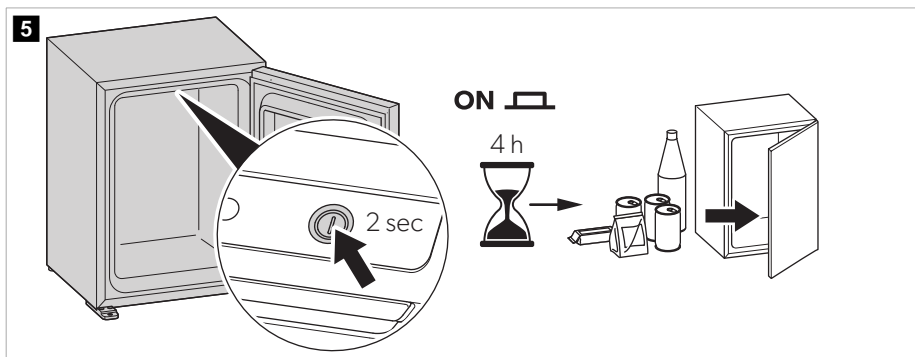


Encendido del minibar



NOTA Después de encenderlo, el minibar necesita varias horas para alcanzar la temperatura de refrigeración establecida.

> Enchufe el cable de conexión a la toma de corriente (fig. 5 en la página 44).



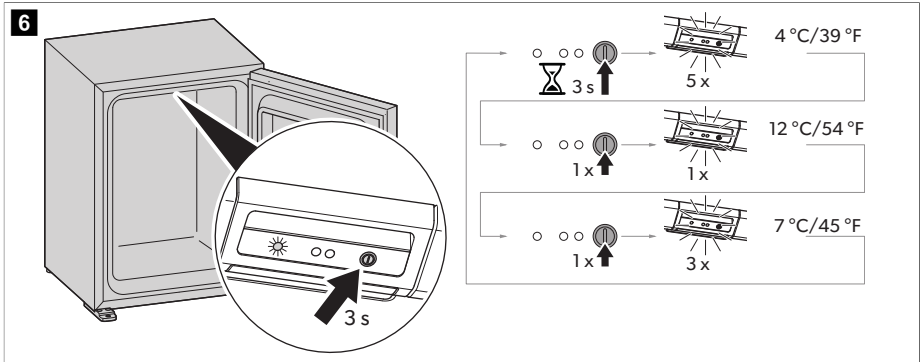
Ajuste de la temperatura

Tenga en cuenta lo siguiente para no desperdiciar alimentos:

- Procure que las oscilaciones de temperatura sean mínimas. Abra el minibar solamente el tiempo y las veces que sea necesario. Almacene los alimentos de manera que no impidan una buena circulación del aire.
- El minibar dispone de una función de regulación automática de la temperatura. Seleccione el promedio de los posibles valores de temperatura.
- Ajuste la temperatura a la cantidad y el tipo de alimentos.

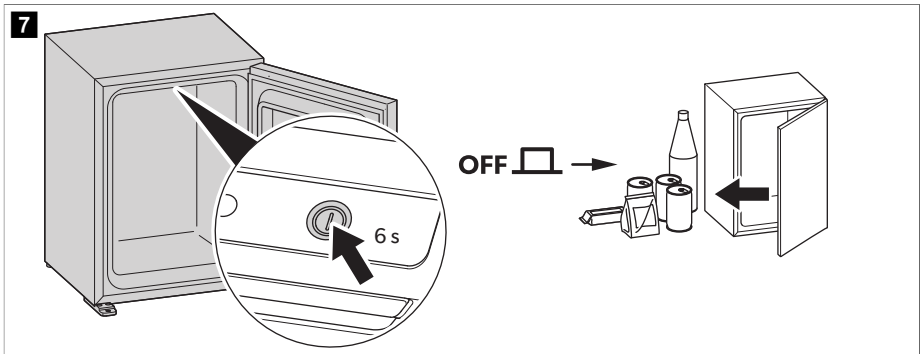
El minibar dispone de una función de regulación automática de la temperatura. La temperatura se puede ajustar a 39,2 °F (4 °C), 44,6 °F (7 °C) o 53,6 °F (12 °C). Cada vez que se pulsa el botón , la temperatura de refrigeración cambia entre los valores posibles.

> Para ajustar la temperatura, proceda como se muestra en la fig. **6** en la página 45.



Apagado del minibar

> Para apagar el minibar, proceda como se muestra en la fig. **7** en la página 45.



Ajuste del modo silencioso (sólo para modelos con compresor)

El minibar está equipado con un modo silencioso.

i **NOTA** Cuando el modo silencioso está activado, la temperatura no se puede cambiar.

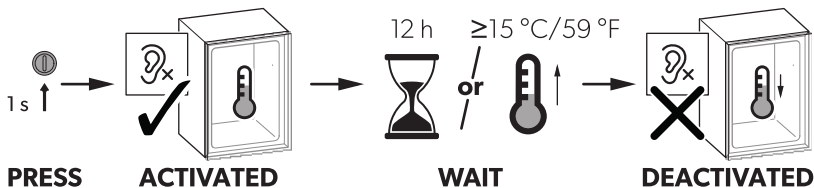
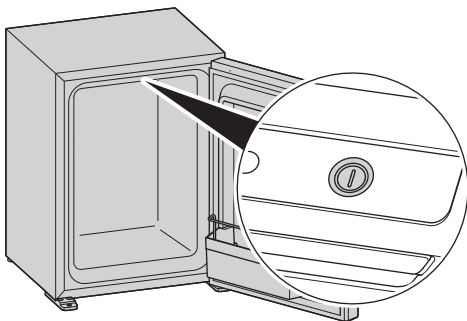
1. Ajuste la temperatura de refrigeración deseada (consulte el capítulo Ajuste de la temperatura en la página 44).
2. Para establecer el modo silencioso, proceda como se muestra en la fig. **8** en la página 46.

8

SILENT MODE



C40, C60



Descongelación

El minibar dispone de una función de descongelación automática.

Almacenamiento

Si el minibar no se va a utilizar durante un periodo de tiempo prolongado, proceda de la siguiente manera:

1. Desenchufe el cable de conexión de la toma de corriente.
2. Limpie el minibar (consulte el capítulo Limpieza en la página 46).

8 Limpieza



¡ADVERTENCIA! Riesgo de electrocución

Desconecte siempre el minibar de la red eléctrica antes de realizar la limpieza y el mantenimiento.



¡AVISO! Peligro de daños

- > No emplee productos de limpieza corrosivos ni objetos duros, pues podrían dañar el minibar.
- > No utilice herramientas duras ni puntiagudas para retirar hielo ni despegar objetos congelados en el minibar.
- > No utilice herramientas mecánicas ni de otra clase para acelerar el deshielo.
- > Asegúrese de que no gotee agua en las juntas para evitar daños en los componentes electrónicos.
- > Únicamente el fabricante, un técnico de mantenimiento autorizado o una persona con cualificación similar puede cambiar la fuente luminosa con el fin de evitar peligros.



NOTA Humedad de condensación en las puertas de cristal

Con una humedad del aire superior a 65 % y una temperatura ambiente de 77 °F (25 °C), se generará condensación en la puerta de cristal.

- > Limpie el minibar con un paño húmedo periódicamente y cada vez que se ensucie.
- > Seque el minibar con un paño después de limpiarlo.
- > Compruebe regularmente el orificio de drenaje del agua de condensación.

Si es necesario, limpie el orificio de drenaje del agua de condensación. Si está atascado, el agua de condensación se acumula en la parte inferior del minibar.

- > **Para las versiones de absorción:** Una vez al año, elimine el polvo de la unidad de absorción utilizando un cepillo o un paño suave.

9 Solución de problemas

Fallo	Posible causa	Propuesta de solución
El minibar no enfría. El indicador LED está apagado .	La clavija de alimentación no está enchufada.	Introduzca la clavija de alimentación en el enchufe.
	No hay tensión en la toma de corriente.	Compruebe el interruptor diferencial.
	El fusible del sistema electrónico es defectuoso.	<ul style="list-style-type: none"> > Póngase en contacto con un técnico de mantenimiento autorizado. > Solo técnico de mantenimiento: Sustituya el fusible.
El minibar no enfría. El indicador LED está encendido .	Para las versiones con refrigeración por absorción: Cartucho calefactor defectuoso	<ul style="list-style-type: none"> > Póngase en contacto con un técnico de mantenimiento autorizado. > Solo técnico de mantenimiento: Instale un cartucho calefactor nuevo.
	Sistema electrónico o sensores de temperatura defectuosos.	<ul style="list-style-type: none"> > Póngase en contacto con un técnico de mantenimiento autorizado. > Solo técnico de mantenimiento: Instale un sistema electrónico o un sensor nuevos.
	El grupo refrigerador no funciona.	<ul style="list-style-type: none"> > Póngase en contacto con un técnico de mantenimiento autorizado. > Solo técnico de mantenimiento: Sustituya el minibar.
	El minibar está en modo silencioso (C40, C60).	No se requiere ninguna acción (Ajuste del modo silencioso (sólo para modelos con compresor) en la página 45).
El minibar no enfría. El indicador LED parpadea de color naranja x veces en un periodo de tiempo determinado.	1 parpadeo: El sensor NTC es defectuoso.	<ul style="list-style-type: none"> > Póngase en contacto con un técnico de mantenimiento autorizado. > Solo técnico de mantenimiento: Sustituya el sensor NTC.
	3 parpadeos: El cartucho calefactor es defectuoso (solo para versiones con refrigeración por absorción).	<ul style="list-style-type: none"> > Póngase en contacto con un técnico de mantenimiento autorizado. > Solo técnico de mantenimiento: Instale un cartucho calefactor nuevo.

Fallo	Posible causa	Propuesta de solución
	5 parpadeos: Error de CPC (control del rendimiento de la refrigeración).	<ol style="list-style-type: none"> 1. Desconecte temporalmente el minibar de la fuente de alimentación para restablecer el error. 2. Cuente el número de parpadeos que se producen después del restablecimiento: <ul style="list-style-type: none"> • 1 parpadeo: El sensor NTC es defectuoso. • 3 parpadeos: El cartucho calefactor es defectuoso (solo para versiones con refrigeración por absorción). • Sin parpadeos: El error se ha restablecido. 3. 1 o 3 parpadeos: Póngase en contacto con un técnico de mantenimiento autorizado. <p>Nota: Después de un periodo de tiempo más largo sin una resolución de problemas, el LED vuelve al intervalo de 5 parpadeos.</p>
El minibar no enfría. La luz interior parpadea continuamente.	Para las versiones con refrigeración por absorción: Error durante el autodiagnóstico de la unidad de refrigeración.	<ul style="list-style-type: none"> > Compruebe si hay fugas en la unidad de refrigeración. > Compruebe la rejilla de ventilación de la unidad de refrigeración y asegúrese de que el rendimiento es óptimo. > Espere 24 h a que el dispositivo reinicie la refrigeración. Si el dispositivo no se reinicia en 24 h, póngase en contacto con un técnico de mantenimiento autorizado.
Mala refrigeración	El grupo refrigerador no está suficientemente ventilado.	Proporcione una ventilación suficiente (véase el manual de instalación).
	El minibar está expuesto a la luz solar directa.	Aparte el minibar de la luz solar directa.
	La puerta del minibar no está cerrada con una junta hermética.	<p>Compruebe las distancias (véase el manual de instalación).</p> <ul style="list-style-type: none"> > Póngase en contacto con un técnico de mantenimiento autorizado. > Solo técnico de mantenimiento: Sustituya la junta de la puerta
	El minibar se ha llenado recientemente.	Compruebe la refrigeración al cabo de 5 h ... 6 h.
	Para las versiones con refrigeración por absorción: La tensión de entrada es demasiado baja o alta.	Compruebe la tensión de entrada.
	La función de desescarche automático está activa.	No es necesario realizar ninguna acción (consulte el capítulo Descongela en la página 46).

Fallo	Posible causa	Propuesta de solución
Formación de escarcha en el compartimento del minibar	La puerta del minibar no está cerrada con una junta hermética.	<p>Compruebe las distancias (véase el manual de instalación).</p> <ul style="list-style-type: none"> > Póngase en contacto con un técnico de mantenimiento autorizado. > Solo técnico de mantenimiento: Sustituya la junta de la puerta
	El minibar sigue enfriándose sin interrupción (la temperatura de refrigeración desciende por debajo del valor establecido).	Póngase en contacto con un técnico de mantenimiento autorizado.
La luz interior no funciona	La luz interior es defectuosa.	<ul style="list-style-type: none"> > Póngase en contacto con un técnico de mantenimiento autorizado. > Solo técnico de mantenimiento: Sustituya la luz interior
	La superficie del sensor de infrarrojos de la puerta está cubierto, por ejemplo, por condensación.	Limpie la superficie del sensor de infrarrojos de la puerta.

10 Eliminación



¡ADVERTENCIA! Peligro de incendio

- > El refrigerante es altamente inflamable. No abra o dañe el circuito de refrigerante.
- > El aislamiento del aparato contiene un gas aislante (véase la placa de características). No dañe el aislamiento.



Reciclaje del material de embalaje: Si es posible, deseche el material de embalaje en el contenedor de reciclaje adecuado.



Reciclaje de productos con baterías no sustituibles, recargables o fuentes de luz:

- Deseche el producto respetando todas las normativas aplicables.
- El producto podrá desecharse gratuitamente.

11 Garantía

Consulte las siguientes secciones para obtener información sobre garantía y asistencia para garantía en EE. UU., Canadá y el resto de regiones.

Estados Unidos y Canadá

GARANTÍA LIMITADA DISPONIBLE EN DOMETIC.COM/WARRANTY.

SI TIENE ALGUNA PREGUNTA O DESEA OBTENER UNA COPIA GRATUITA DE LA GARANTÍA LIMITADA, PÓNGASE EN CONTACTO CON:

DOMETIC CORPORATION
 CUSTOMER SUPPORT CENTER
 5155 VERDANT DRIVE
 ELKHART, INDIANA 46516
 1-800-544-4881

Otras regiones

Se aplica el período de garantía estipulado por la ley. Si el producto es defectuoso, póngase en contacto con la sucursal del fabricante de su país (consulte dometic.com/dealer) o con su punto de venta.

Para tramitar la reparación y la garantía, incluya los siguientes documentos cuando envíe el aparato:

- Una copia de la factura con fecha de compra
- El motivo de la reclamación o una descripción de la avería

Tenga en cuenta que una reparación por medios propios o no profesionales puede tener consecuencias de seguridad y suponer la anulación de la garantía.

12 Datos técnicos

Siga las condiciones de uso EPA.

	HiPro A 30S1, A 30S2, A 30P1, A 30P2, A 30G1, A 30G2	HiPro A 40S1, A 40S2, A 40P1, A 40P2, A 40G1, A 40G2
Tensión de entrada	220 V~ ... 240 V~ 50 / 60 Hz	
Volumen total	26 L	33 L
Potencia de entrada nominal	60 ... 70 W	
Clase climática y temperatura ambiente de uso prevista:	N: 60,8 °F (16 °C) ... 89,6 °F (32 °C) T: 60,8 °F (16 °C) ... 109,4 °F (43 °C)	
Emisión de ruidos	0 dB(A)	
Refrigerante	R717	
Dimensiones (An x Al x Pr):	15,12 x 20,47 x 17,56 in (384 x 520 x 446 mm)	15,94 x 21,65 x 18,35 in (405 x 550 x 466 mm)
Peso:		
Con puerta sólida	30,2 lb (13,7 kg)	33,7 lb (15,3 kg)
Con puerta de panel	33,1 lb (15 kg)	36,8 lb (16,7 kg)
Con puerta de cristal	35,1 lb (15,9 kg)	39,5 lb (17,9 kg)
	HiPro C 40S1, C 40S2, C 40P1, C 40P2, C 40G1, C 40G2	HiPro C60S1, C60S2, C60G1, C60G2
Tensión de entrada	220 V~ ... 240 V~ 50 / 60 Hz	

	HiPro C 40S1, C 40S2, C 40P1, C 40P2, C 40G1, C 40G2	HiPro C60S1, C60S2, C60G1, C60G2
Volumen total	33 L	49 L
Potencia de entrada nominal	45 W	
Clase climática y temperatura ambiente de uso prevista:	N: 60,8 °F (16 °C) ... 89,6 °F (32 °C) T: 60,8 °F (16 °C) ... 109,4 °F (43 °C)	
Emisión de ruidos	33 dB(A)	38 dB(A)
Refrigerante	R600a	
Dimensiones (An x Al x Pr):	15,94 × 21,65 × 18,94 in (405 × 550 × 481 mm)	19,29 × 22,24 × 20,08 in (490 × 565 × 510 mm)
Peso:		
Con puerta sólida	38,6 lb (17,5 kg)	43,0 lb (19,5 kg)
Con puerta de panel	41,7 lb (18,9 kg)	-
Con puerta de cristal	44,3 lb (20,1 kg)	49,6 lb (22,5 kg)

	HiPro N 30S1, N 30S2, N 30P1, N 30P2, N 30G1, N 30G2	HiPro N 40S1, N 40S2, N 40P1, N 40P2, N 40G1, N 40G2
Tensión de entrada	100 V~ ... 240 V~ 50 / 60 Hz	
Volumen total	26 L	33 L
Potencia de entrada nominal	55 W	
Clase climática y temperatura ambiente de uso prevista:	N: 60,8 °F (16 °C) ... 89,6 °F (32 °C) T: 60,8 °F (16 °C) ... 109,4 °F (43 °C)	
Emisión de ruidos	0 dB(A)	
Refrigerante	R600a	
Dimensiones (An x Al x Pr):	15,12 × 20,47 × 16,34 in (384 × 520 × 415 mm)	15,94 × 21,65 × 17,13 in (405 × 550 × 435 mm)
Peso:		
Con puerta sólida	23,6 lb (10,7 kg)	27,6 lb (12,5 kg)
Con puerta de panel	26,5 lb (12 kg)	30,6 lb (13,9 kg)

ES Dometic HiPro Alpha, Evolution

	HiPro N 30S1, N 30S2, N 30P1, N 30P2, N 30G1, N 30G2	HiPro N 40S1, N 40S2, N 40P1, N 40P2, N 40G1, N 40G2
Con puerta de cristal	28,4 lb (12,9 kg)	33,3 lb (15,1 kg)

Português

1	Notas importantes.....	53
2	Explicação dos símbolos.....	53
3	Indicações de segurança.....	54
4	Acessórios.....	56
5	Utilização adequada.....	56
6	Descrição técnica.....	57
7	Operação.....	60
8	Limpeza.....	63
9	Resolução de falhas.....	64
10	Eliminação.....	66
11	Garantia.....	66
12	Dados técnicos.....	67

1 Notas importantes

Leia atentamente as presentes instruções e siga todas as instruções, orientações e avisos incluídos neste manual, de modo a garantir a correta instalação, utilização e manutenção do produto. É OBRIGATÓRIO manter estas instruções junto com o produto.

Ao utilizar o produto, está a confirmar que leu atentamente todas as instruções, orientações e avisos, e que compreende e aceita cumprir os termos e condições estabelecidos no presente manual. Aceita utilizar este produto exclusivamente para o fim e a aplicação a que se destina e de acordo com as instruções, orientações e avisos estabelecidos neste manual, assim como de acordo com todas as leis e regulamentos aplicáveis. Caso não leia nem siga as instruções e os avisos aqui estabelecidos, poderá sofrer ferimentos pessoais ou causar ferimentos a terceiros e o produto ou outros materiais nas proximidades poderão ficar danificados. Este manual do produto, incluindo as instruções, orientações e avisos, bem como a documentação relacionada, podem estar sujeitos a alterações e atualizações. Para consultar as informações atualizadas do produto, visite documents.dometic.com.

2 Explicação dos símbolos

As palavras de advertência identificam mensagens de segurança e mensagens de danos à propriedade, assim como o grau ou nível de seriedade do perigo.



PERIGO!

indica uma situação perigosa que, se não for evitada, resultará em morte ou ferimentos graves.



AVISO!

Indica uma situação perigosa que, se não for evitada, pode causar a morte ou ferimentos graves.



PRECAUÇÃO!

Indica uma situação perigosa que, se não for evitada, pode causar ferimentos ligeiros ou moderados.



NOTA!

Indica uma situação que, se não for evitada, pode causar danos materiais.



OBSERVAÇÃO Informações complementares para a utilização do produto.

3 Indicações de segurança

Princípios básicos de segurança



AVISO! Risco de eletrocussão

- > Certifique-se de que o minibar foi instalado de acordo com as instruções de montagem por um técnico qualificado.
- > Não coloque o minibar em funcionamento se este apresentar danos visíveis.
- > Se o cabo de alimentação do minibar estiver danificado, terá de ser substituído pelo fabricante, pelo agente de assistência técnica ou por uma pessoa com qualificações equivalentes, a fim de evitar perigos.
- > As reparações neste minibar só podem ser realizadas por técnicos qualificados. Reparações inadequadas podem originar perigos graves.
- > Ao colocar o minibar, certifique-se de que o cabo de alimentação não fica preso nem é danificado.
- > Não coloque tomadas múltiplas ou fontes de alimentação portáteis na parte de trás do aparelho.
- > Ligue o aparelho a tomadas que garantam uma ligação adequada, sobretudo se for necessário instalar o aparelho com ligação à terra.



AVISO! Perigo de incêndio

- > O refrigerante no circuito de refrigeração é altamente inflamável e, em caso de fuga, os gases de combustão podem acumular-se se o aparelho estiver numa divisão pequena. Em caso de danos no circuito de refrigeração:
 - Mantenha chamas sem proteção e potenciais fontes de ignição afastadas do minibar.
 - Ventile bem a divisão.
 - Desligue o minibar.
- > **Para minibares com refrigerante R600a:**
 - O circuito de refrigeração contém uma pequena quantidade de um refrigerante ecológico mas inflamável. Este produto não é prejudicial para a camada de ozono e não aumenta o efeito de estufa. Qualquer refrigerante vazado pode incendiar-se.
 - Não utilize nem armazene o minibar em espaços confinados com pouco ou nenhum fluxo de ar.
 - Mantenha o nicho de instalação destinado ao minibar livre de componentes elétricos e de fontes de luz que produzam faíscas ou arcos (p. ex., caixas de relés ou fusíveis) durante o seu funcionamento normal ou com anomalias.
- > Mantenha desimpedidas as aberturas de ventilação na carcaça do dispositivo ou nos acessórios montados.
- > Não utilize quaisquer ferramentas mecânicas ou outros meios de acelerar o processo de descongelamento, para além dos recomendados pelo fabricante.
- > Não abra nem danifique o circuito de refrigeração.
- > Não utilize aparelhos elétricos dentro do minibar, exceto se esses aparelhos forem recomendados pelo fabricante para o efeito.



AVISO! Perigo de explosão

Não guarde no minibar substâncias com risco de explosão, tais como, por exemplo, latas de spray com gás carburante.



AVISO! Risco para a saúde

- > **Para versões com sistema de refrigeração de absorção:** Nunca abra o agregado de absorção. Este encontra-se sob elevada pressão e pode originar ferimentos durante a abertura.
- > Este aparelho pode ser utilizado por crianças a partir dos 8 anos e pessoas com capacidades físicas, sensoriais ou mentais reduzidas ou sem experiência e conhecimento se forem supervisionadas ou

receberem instruções sobre a utilização do aparelho de forma segura e compreenderem os perigos implicados.

- > Este aparelho não foi previsto para ser utilizado por pessoas (incluindo crianças) com capacidades físicas, sensoriais ou mentais reduzidas ou com insuficiente experiência e conhecimento, exceto caso tenham recebido supervisão ou instruções acerca da utilização do aparelho por parte de uma pessoa responsável pela sua segurança.
- > As crianças têm de ser supervisionadas por forma a garantir que não brincam com o minibar.
- > A limpeza e a manutenção por parte do utilizador não podem ser efetuadas por crianças sem supervisão.
- > Crianças com idades entre os 3 e os 8 anos podem encher e esvaziar o minibar.



PRECAUÇÃO! Risco de esmagamento

Não mexa no encosto da tampa com os dedos.



PRECAUÇÃO! Risco para a saúde

Os alimentos devem ser armazenados exclusivamente nas embalagens originais ou em recipientes adequados.



NOTA! Risco de danos

- > Verifique se a indicação de tensão na placa de dados corresponde à da fonte de alimentação existente.
- > Um fluxo de ar insuficiente resulta numa redução da vida útil e do desempenho de refrigeração do aparelho. Cumpra as distâncias mínimas ao instalar o minibar no mobiliário (consulte as instruções de montagem).
- > O isolamento do aparelho de refrigeração contém ciclopentano inflamável e requer medidas de eliminação especiais. No fim da respetiva vida útil, encaminhe o aparelho de refrigeração para um centro de reciclagem adequado.
- > Mantenha a abertura de condensação sempre limpa.
- > Transporte o minibar apenas na posição vertical.

Utilização segura do aparelho



PERIGO! Risco de eletrocussão

Nunca toque em cabos não blindados com as mãos desprotegidas.



PRECAUÇÃO! Risco de eletrocussão

Antes de colocar o minibar em funcionamento, certifique-se de que a conexão e a ficha estão secas.



PRECAUÇÃO! Risco para a saúde

- > Certifique-se de que coloca no minibar apenas produtos que possam ser refrigerados à temperatura selecionada.
- > Os géneros alimentícios só podem ser guardados nas embalagens originais ou em recipientes adequados.
- > Abrir a porta durante longos períodos pode provocar um aumento significativo da temperatura nos compartimentos do minibar.
- > Limpe regularmente as superfícies que entram em contacto com géneros alimentícios e os sistemas de drenagem acessíveis.
- > Se o minibar ficar vazio durante longos períodos:
 - Desligue o minibar.

- Descongele o minibar.
- Limpe e seque o minibar.
- Deixe a porta aberta para impedir o crescimento de bolor no interior do minibar.



NOTA! Risco de danos

- > Não coloque o minibar na proximidade de chamas sem proteção ou outras fontes de calor (aquecimento, radiação solar intensa, fogões a gás, etc.).
- > Certifique-se de que as aberturas de ventilação não estão tapadas.
- > Nunca mergulhe o minibar em água.
- > Proteja o minibar e o cabo do calor e da humidade.
- > Assegure-se de que os alimentos não entram em contacto com as paredes do espaço de refrigeração.

4 Acessórios

Designação	Explicação
Wi-Fi	Para monitorizar e controlar o minibar através de Wi-Fi com uma aplicação
Fechaduras com chaves	Para versões que podem ser fechadas à chave

5 Utilização adequada

O aparelho de refrigeração (também designado “minibar”) está concebido para refrigerar e armazenar bebidas e alimentos em recipientes fechados.

O minibar está concebido para ser utilizado em navios de cruzeiro ou em aplicações domésticas e semelhantes como, por exemplo:

- Na cozinha do pessoal em estabelecimentos comerciais, escritórios e outros ambientes de trabalho
- Quintas
- Hotéis, motéis e outros ambientes de tipo residencial
- Ambientes do tipo “bed and breakfast”
- Aplicações do ramo de catering e em aplicações semelhantes do comércio grossista

O minibar **não** está concebido para ser montado em caravanas ou autocaravanas.

O minibar é adequado para ser utilizado como aparelho encastrado ou como aparelho de refrigeração independente. Consulte as instruções de montagem.

Apenas C40, C60: O minibar é adequado para armazenar alimentos frescos.

O minibar **não** é adequado para:

- Armazenar substâncias corrosivas, cáusticas ou que contenham solventes
- A30, A40, N30, N40: Armazenar alimentos frescos
- Armazenar medicamentos
- Ultracongelar alimentos

Este produto destina-se exclusivamente à aplicação e aos fins pretendidos com base nestas instruções.

Este manual fornece informações necessárias para proceder a uma instalação e/ou a uma operação adequadas do produto. Uma instalação e/ou uma operação ou manutenção incorretas causarão um desempenho insatisfatório e uma possível avaria.

O fabricante não aceita qualquer responsabilidade por danos ou prejuízos no produto resultantes de:

- Instalação, montagem ou ligação incorretas, incluindo sobretensões
- Manutenção incorreta ou utilização de peças sobressalentes não originais fornecidas pelo fabricante
- Alterações ao produto sem autorização expressa do fabricante
- Utilização para outras finalidades que não as descritas no presente manual

A Dometic reserva-se o direito de alterar o design e as especificações do produto.

6 Descrição técnica

Os minibares encontram-se disponíveis com diferentes tecnologias de refrigeração:

- Refrigeração de absorção: A30S1, A30S2, A30P1, A30P2, A30G1, A30G2, A40S1, A40S2, A40P1, A40P2, A40G1, A40G2
- Refrigeração com compressor: C40S1, C40S2, C40P1, C40P2, C40G1, C40G2, C60S1, C60S2, C60G1, C60G2
- Refrigeração termoelétrica: N30S1, N30S2, N30P1, N30P2, N30G1, N30G2, N40S1, N40S2, N40P1, N40P2, N40G1, N40G2

Todos os materiais utilizados são adequados para a utilização com alimentos. O circuito de refrigeração não necessita de manutenção.

De acordo com a respetiva versão, o minibar apresenta uma ou duas prateleiras e uma ou duas prateleiras de porta. O aparelho inclui uma prateleira de porta concebida para garrafas. É possível guardar uma garrafa de 1,5 l na prateleira de porta. Se a versão incluir uma segunda prateleira de porta, esta prateleira destinar-se-á a garrafas ou snacks mais pequenos.

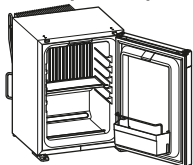
Opcionalmente, o minibar pode ser equipado com uma função de Wi-Fi integrada que pode ser controlada através de uma aplicação.

O minibar pode ser equipado com uma fechadura.

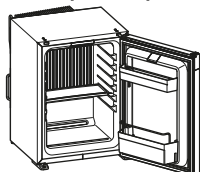
Elementos de comando do minibar

1

A30S1, A30P1, A30G1

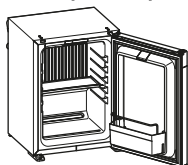


A40S1, A40P1, A40G1

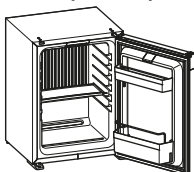


Alpha

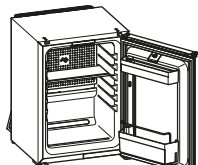
N30S1, N30P1, N30G1



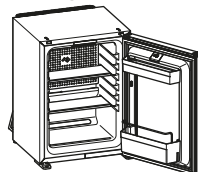
N40S1, N40P1, N40G1



C40S1, C40P1, C40G1

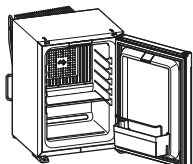


C60S1, C60G1

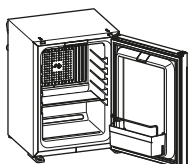


Evolution

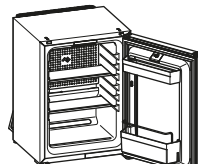
A30S2, A30P2, A30G2



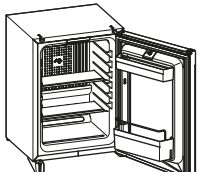
N30S2, N30P2, N30G2



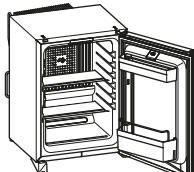
C40S2, C40P2, C40G2



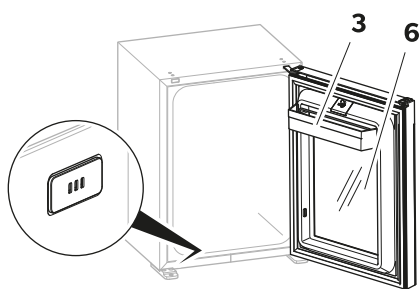
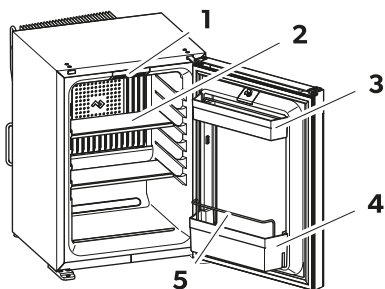
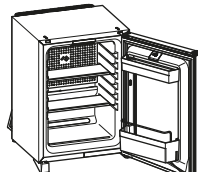
A40S2, A40P2, A40G2



N40S2, N40P2, N40G2

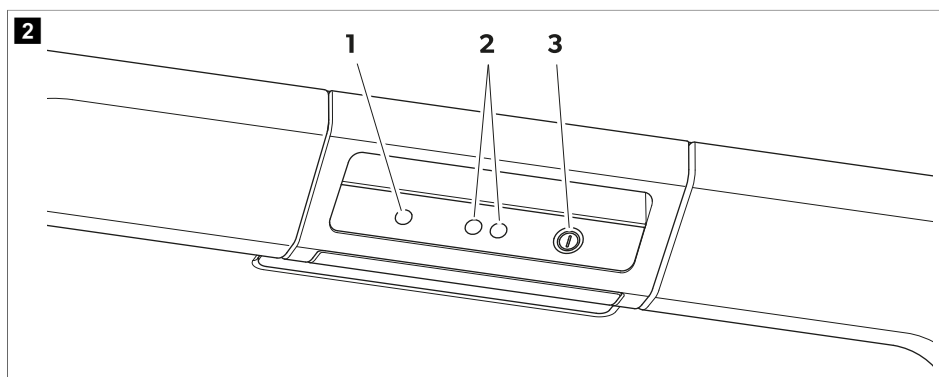


C60S2, C60G2



N.º na fig. 1 na página 58	Explicação
1	Iluminação interior e elemento de comando
2	1 prateleira 2 prateleiras (A40S2, A40P2, A40G2, C40S2, C40P2, C40G2, C60S2, C60G2, N40S2, N40P2, N40G2)
3	Prateleira de porta superior (para A40S1, A40S2, A40P1, A40P2, C40S1, C40S2, C40P1, C40P2, C60S1, C60S2, C60G1, C60G2, N40S1, N40S2, N40P1, N40P2)
4	Prateleira de porta inferior
5	Porta com suporte para garrafas (opcional)
6	Porta de vidro (opcional)
-	Iluminação interior no fundo (opcional)

Painel de comando



N.º	Explicação
1	Indicador LED
2	Sensor de infravermelhos da porta
3	Botão <p>Ligar e desligar o mini-bar</p> <p>Inserir a definição de temperatura</p> <p>Selecionar o modo silencioso (apenas para C40 e C60 com refrigeração do compressor)</p>

Indicador LED

Cor	Estado	Descrição
Green (verde)	On	O mini-bar está a refrigerar
Laranja	On	O mini-bar para de refrigerar (a temperatura foi atingida ou a função de descongelamento automático está ativa)

Cor	Estado	Descrição
	Piscar	Ocorreu um erro (ver capítulo Resolução de falhas na página 64)
-	Apagado	O minibar está desligado ou em modo silencioso

7 Operação

Antes da primeira utilização



OBSERVAÇÃO Não armazene alimentos no aparelho durante as primeiras 4 horas após o colocar em funcionamento.

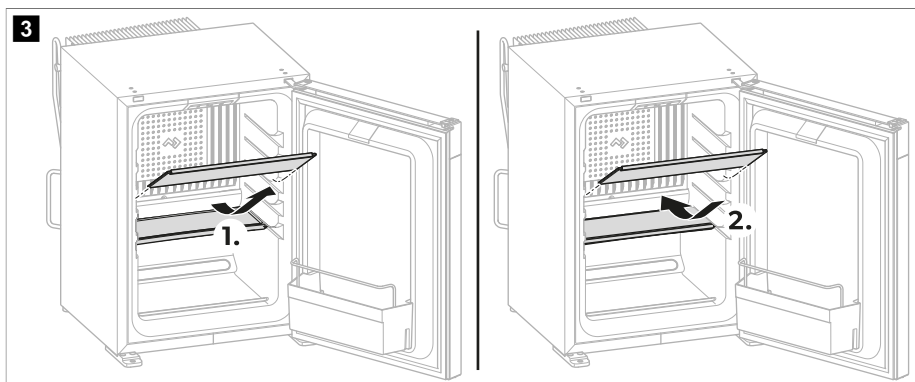
> Por questões de higiene, limpe o interior e o exterior do aparelho.

Poupar energia

- Abra o minibar apenas as vezes que forem necessárias e apenas durante o tempo necessário.
- Evite temperaturas internas desnecessariamente baixas.
- Para um consumo de energia otimizado, posicione as prateleiras e as gavetas na posição original de entrega.
- Verifique regularmente se a vedação da porta ainda está corretamente encaixada.
- Limpe o pó e a sujidade do condensador regularmente.

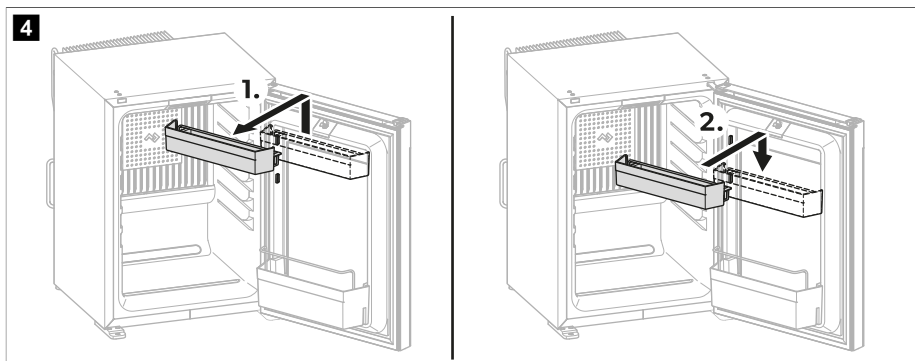
Posicionar as prateleiras

> Para posicionar as prateleiras, proceda conforme ilustrado fig. **3** na página 60.



Colocar a prateleira de porta

> Para posicionar a prateleira de porta, proceda conforme ilustrado fig. 4 na página 61.

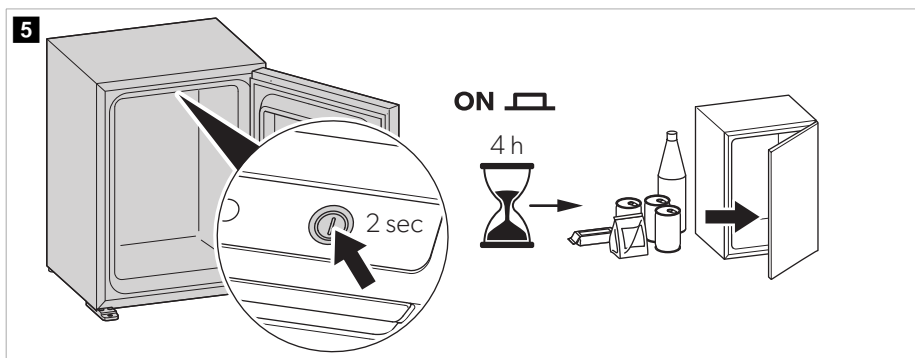


Ligar o minibar



OBSERVAÇÃO Depois de ligar, o minibar necessita de várias horas para atingir a temperatura de refrigeração definida.


> Insira a ficha na tomada (fig. 5 na página 61).



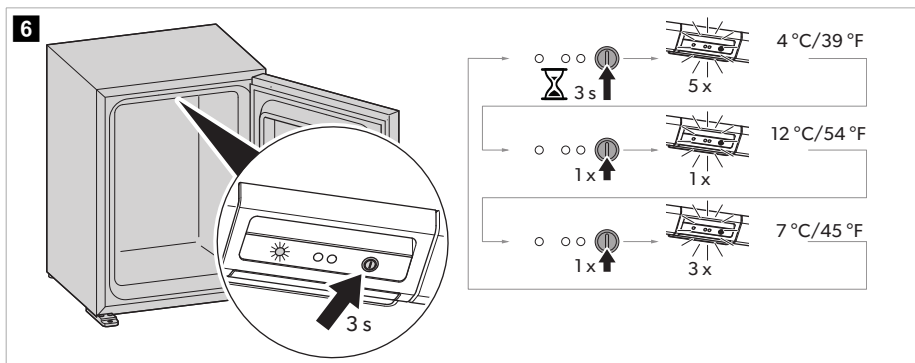
Definir a temperatura

Para evitar desperdício alimentar, observe o seguinte:

- Mantenha as oscilações de temperatura o mais reduzidas possível. Abra o minibar apenas as vezes que forem necessárias e apenas durante o tempo necessário. Armazene os alimentos de modo a que o ar continue a circular bem.
- O minibar está equipado com uma função de regulação da temperatura automática. Selecione a média dos valores de temperatura possíveis.
- Ajuste a temperatura à quantidade e ao tipo de alimentos.

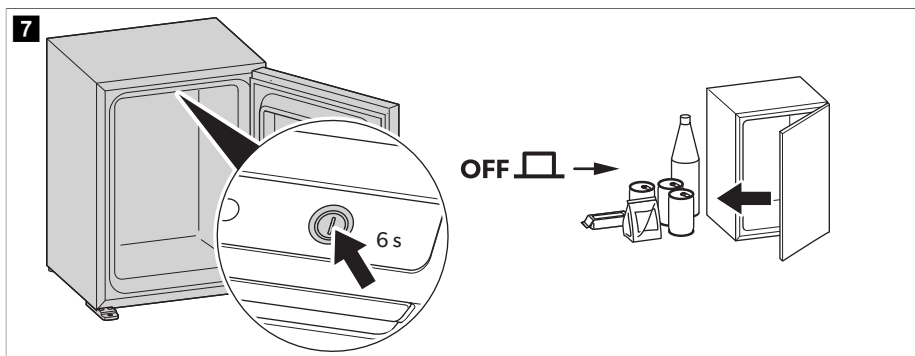
O minibar está equipado com uma função de regulação da temperatura automática. É possível ajustar a temperatura para 39,2 °F (4 °C), 44,6 °F (7 °C) ou 53,6 °F (12 °C). Sempre que pressionar o botão , a temperatura de refrigeração alterna entre os valores possíveis.

> Para definir a temperatura, proceda conforme ilustrado em fig. **6** na página 62.



Desligar o minibar

> Para desligar o minibar, proceda conforme ilustrado em fig. **7** na página 62.



Definir o modo silencioso (apenas para modelos com compressor)

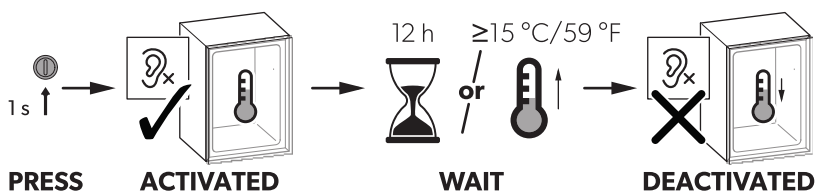
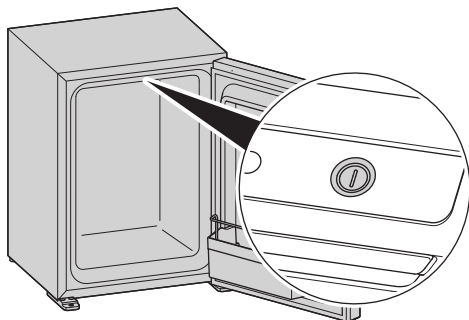
O minibar está equipado com um modo silencioso.



OBSERVAÇÃO Se o modo silencioso estiver ativado, não é possível alterar a definição de temperatura.

1. Defina a temperatura de refrigeração pretendida (ver capítulo Definir a temperatura na página 61).
2. Para definir o modo silencioso, proceda conforme ilustrado em fig. **8** na página 63.

8

SILENT MODE**C40, C60****Descongelamento**

O minibar está equipado com uma função de descongelamento automática.

Armazenar

Se o minibar não for utilizado durante um longo período de tempo, proceda da seguinte forma:

1. Remova a ficha da tomada.
2. Limpe o minibar (ver capítulo Limpeza na página 63).

8 Limpeza**AVISO! Risco de eletrocussão**

Desconecte sempre o minibar da rede elétrica antes de realizar trabalhos de limpeza e manutenção.

**NOTA! Risco de danos**

- > Não utilize produtos de limpeza abrasivos nem objetos duros para a limpeza, pois estes podem danificar o minibar.
- > Nunca utilize ferramentas duras ou pontiagudas para retirar camadas de gelo ou para libertar objetos congelados no minibar.
- > Não utilize ferramentas mecânicas ou qualquer outro tipo de ferramentas para acelerar o processo de descongelamento.
- > Certifique-se de que não pinga água para as vedações de modo a evitar danos no sistema eletrónico.
- > Para evitar quaisquer perigos, a fonte de luz só pode ser substituída pelo fabricante, por um agente de assistência técnica ou por uma pessoa com qualificação semelhante.



OBSERVAÇÃO Humidade de condensação nas portas de vidro

Quando a humidade ambiente é superior a 65 % com uma temperatura ambiente de 77 °F (25 °C), forma-se água de condensação na porta de vidro.

- > Limpe o minibar regularmente, e assim que este fique sujo, com um pano húmido.
- > Seque o minibar com um pano após a limpeza.
- > Verifique regularmente o escoamento do condensado.
Limpe o escoamento do condensado sempre que necessário. Se este estiver entupido, o condensado acumula-se no fundo do minibar.
- > **Para versões com sistema de absorção:** Anualmente, elimine o pó da unidade de absorção com uma escova ou um pano macio.

9 Resolução de falhas

Falha	Possível causa	Sugestão de solução
O minibar não refrigera. O LED indicador está apagado .	A ficha elétrica não está inserida.	Insira a ficha elétrica na tomada.
	Tomada sem tensão.	Verifique o disjuntor.
	O fusível no sistema eletrónico está avariado.	<ul style="list-style-type: none"> > Contacte um agente de assistência técnica autorizado. > Apenas para o agente de assistência técnica: Substitua o fusível.
O minibar não refrigera. O LED indicador está aceso .	Para versões com sistema de refrigeração de absorção: Cartucho de aquecimento avariado	<ul style="list-style-type: none"> > Contacte um agente de assistência técnica autorizado. > Apenas para o agente de assistência técnica: Instalar um novo cartucho de aquecimento.
	Avaria no sistema eletrónico ou nos sensores de temperatura.	<ul style="list-style-type: none"> > Contacte um agente de assistência técnica autorizado. > Apenas para o agente de assistência técnica: Instalar um novo sensor ou sistema eletrónico.
	A unidade de refrigeração está avariada.	<ul style="list-style-type: none"> > Contacte um agente de assistência técnica autorizado. > Apenas para o agente de assistência técnica: Substituir o minibar.
	O minibar está no modo silencioso (C40, C60).	Nenhuma ação necessária (Definir o modo silencioso (apenas para modelos com compressor) na página 62).
O minibar não refrigera. O LED indicador pisca a cor de laranja durante x vezes durante um determinado período de tempo.	1 intermitência: o sensor NTC está avariado.	<ul style="list-style-type: none"> > Contacte um agente de assistência técnica autorizado. > Apenas para o agente de assistência técnica: substitua o sensor NTC.
	3 intermitências: o cartucho de aquecimento está avariado (apenas para versões com sistema de refrigeração de absorção).	<ul style="list-style-type: none"> > Contacte um agente de assistência técnica autorizado. > Apenas para o agente de assistência técnica: instale um novo cartucho de aquecimento.

Falha	Possível causa	Sugestão de solução
	5 intermitências: erro do CPC (controlo do desempenho de refrigeração).	<ol style="list-style-type: none"> 1. Desligue temporariamente o minibar da fonte de alimentação para repor o erro. 2. Conte o número de intermitências que ocorrem após a reposição: <ul style="list-style-type: none"> • 1 intermitência: o sensor NTC está avariado. • 3 intermitências: o cartucho de aquecimento está avariado (apenas para versões com sistema de refrigeração de absorção). • Sem intermitência: o erro é reposto. 3. 1 ou 3 intermitências: Contacte um agente de assistência técnica autorizado. <p>Nota: após um longo período de tempo sem resolução de problemas, o LED volta ao intervalo de 5 intermitências.</p>
O minibar não refrigera. A luz interior pisca continuamente.	Para versões com sistema de refrigeração de absorção: erro durante o autoteste da unidade de refrigeração.	<ul style="list-style-type: none"> > Verifique se existem fugas na unidade de refrigeração. > Verifique a grelha de ventilação da unidade de refrigeração e garanta um desempenho ideal. > Aguarde 24 h para que o aparelho reinicie a refrigeração. Se o aparelho não reiniciar dentro de 24 h, contacte um agente de assistência técnica autorizado.
Reduzido desempenho de refrigeração	A unidade de refrigeração não tem ventilação suficiente.	Garanta uma ventilação suficiente (ver instruções de montagem).
	O minibar está exposto à luz solar direta.	Retire o minibar da exposição à luz solar direta.
	A porta do minibar não está fechada com uma vedação hermética.	Verifique as distâncias (ver instruções de montagem). <ul style="list-style-type: none"> > Contacte um agente de assistência técnica autorizado. > Apenas para o agente de assistência técnica: Substituir a vedação da porta
	O minibar foi enchido recentemente.	Verifique a refrigeração novamente após 5 h ... 6 h.
	Para versões com sistema de refrigeração de absorção: A tensão de entrada é demasiado baixa ou demasiado alta.	Verifique a tensão de entrada.
	A função de descongelamento automático está ativa.	Nenhuma ação necessária (ver capítulo Descongelamento na página 63).

Falha	Possível causa	Sugestão de solução
Formação de gelo no compartimento do minibar	A porta do minibar não está fechada com uma vedação hermética.	Verifique as distâncias (ver instruções de montagem). > Contacte um agente de assistência técnica autorizado. > Apenas para o agente de assistência técnica: Substituir a vedação da porta
	O minibar continua a refrigerar sem interrupções (a temperatura de refrigeração fica abaixo do valor definido).	Contacte um agente de assistência técnica autorizado.
A iluminação interior não está a funcionar	A iluminação interior está avariada.	> Contacte um agente de assistência técnica autorizado. > Apenas para o agente de assistência técnica: Substituir a iluminação interior
	A superfície do sensor de infravermelhos da porta está coberta, por exemplo, por condensação.	Limpar a superfície do sensor de infravermelhos da porta.

10 Eliminação



AVISO! Perigo de incêndio

- > O agente de refrigeração é altamente inflamável. Não abra nem danifique o circuito de refrigeração.
- > O isolamento do dispositivo contém um gás isolante (consulte a placa de características). Não danifique o isolamento.



Reciclagem do material de embalagem: Sempre que possível, coloque o material de embalagem no respetivo contentor de reciclagem.



Reciclagem de produtos com baterias não substituíveis, baterias recarregáveis ou fontes de luz:

- elimine o produto de acordo com todas as normas aplicáveis.
- O produto pode ser eliminado gratuitamente.

11 Garantia

Consulte as secções que se seguem para se informar sobre a garantia e o suporte de garantia nos EUA, no Canadá e em todas as outras regiões.

Estados Unidos e Canadá

GARANTIA LIMITADA DISPONÍVEL EM DOMETIC.COM/WARRANTY.

CASO TENHA DÚVIDAS, OU QUEIRA OBTER UMA CÓPIA GRATUITA DA GARANTIA LIMITADA, CONTACTE:

DOMETIC CORPORATION
 CUSTOMER SUPPORT CENTER
 5155 VERDANT DRIVE
 ELKHART, INDIANA 46516
 1-800-544-4881

Todas as outras regiões

Aplica-se o prazo de garantia legal. Se o produto apresentar defeitos, contacte a filial do fabricante no seu país (consulte dometic.com/dealer) ou o seu revendedor.

Para fins de reparação ou de garantia, terá de enviar também os seguintes documentos:

- Uma cópia da fatura com a data de aquisição
- Um motivo de reclamação ou uma descrição da falha

Tenha em atenção que as reparações feitas por si ou por não profissionais podem ter consequências sobre a segurança e anular a garantia.

12 Dados técnicos

Siga as condições de utilização da EPA.

	HiPro A 30S1, A 30S2, A 30P1, A 30P2, A 30G1, A 30G2	HiPro A 40S1, A 40S2, A 40P1, A 40P2, A 40G1, A 40G2
Tensão de entrada	220 V~ ... 240 V~ 50 / 60 Hz	
Volume total	26 L	33 L
Potência nominal de entrada	60 ... 70 W	
Classe climática e temperatura ambiente com a utilização prevista	N: 60,8 °F (16 °C) ... 89,6 °F (32 °C) T: 60,8 °F (16 °C) ... 109,4 °F (43 °C)	
Emissão de ruído	0 dB(A)	
Refrigerante	R717	
Dimensões (LxAxP)	15,12 × 20,47 × 17,56 in (384 × 520 × 446 mm)	15,94 × 21,65 × 18,35 in (405 × 550 × 466 mm)
Peso:		
Com porta simples	30,2 lb (13,7 kg)	33,7 lb (15,3 kg)
Com porta com painel	33,1 lb (15 kg)	36,8 lb (16,7 kg)
Com porta de vidro	35,1 lb (15,9 kg)	39,5 lb (17,9 kg)
	HiPro C 40S1, C 40S2, C 40P1, C 40P2, C 40G1, C 40G2	HiPro C60S1, C60S2, C60G1, C60G2
Tensão de entrada	220 V~ ... 240 V~ 50 / 60 Hz	

PT Dometic HiPro Alpha, Evolution

	HiPro C 40S1, C 40S2, C 40P1, C 40P2, C 40G1, C 40G2	HiPro C60S1, C60S2, C60G1, C60G2
Volume total	33 L	49 L
Potência nominal de entrada	45 W	
Classe climática e temperatura ambiente com a utilização prevista	N: 60,8 °F (16 °C) ... 89,6 °F (32 °C) T: 60,8 °F (16 °C) ... 109,4 °F (43 °C)	
Emissão de ruído	33 dB(A)	38 dB(A)
Refrigerante	R600a	
Dimensões (LxAxP)	15,94 × 21,65 × 18,94 in (405 × 550 × 481 mm)	19,29 × 22,24 × 20,08 in (490 × 565 × 510 mm)
Peso:		
Com porta simples	38,6 lb (17,5 kg)	43,0 lb (19,5 kg)
Com porta com painel	41,7 lb (18,9 kg)	-
Com porta de vidro	44,3 lb (20,1 kg)	49,6 lb (22,5 kg)

	HiPro N 30S1, N 30S2, N 30P1, N 30P2, N 30G1, N 30G2	HiPro N 40S1, N 40S2, N 40P1, N 40P2, N 40G1, N 40G2
Tensão de entrada	100 V~ ... 240 V~ 50 / 60 Hz	
Volume total	26 L	33 L
Potência nominal de entrada	55 W	
Classe climática e temperatura ambiente com a utilização prevista	N: 60,8 °F (16 °C) ... 89,6 °F (32 °C) T: 60,8 °F (16 °C) ... 109,4 °F (43 °C)	
Emissão de ruído	0 dB(A)	
Refrigerante	R600a	
Dimensões (LxAxP)	15,12 × 20,47 × 16,34 in (384 × 520 × 415 mm)	15,94 × 21,65 × 17,13 in (405 × 550 × 435 mm)
Peso:		
Com porta simples	23,6 lb (10,7 kg)	27,6 lb (12,5 kg)
Com porta com painel	26,5 lb (12 kg)	30,6 lb (13,9 kg)

	<p>HiPro</p> <p>N 30S1, N 30S2, N 30P1, N 30P2, N 30G1, N 30G2</p>	<p>HiPro</p> <p>N 40S1, N 40S2, N 40P1, N 40P2, N 40G1, N 40G2</p>
Com porta de vidro	28,4 lb (12,9 kg)	33,3 lb (15,1 kg)

dometic.com

**YOUR LOCAL
DEALER**

dometic.com/dealer

**YOUR LOCAL
SUPPORT**

dometic.com/contact

**YOUR LOCAL
SALES OFFICE**

dometic.com/sales-offices
