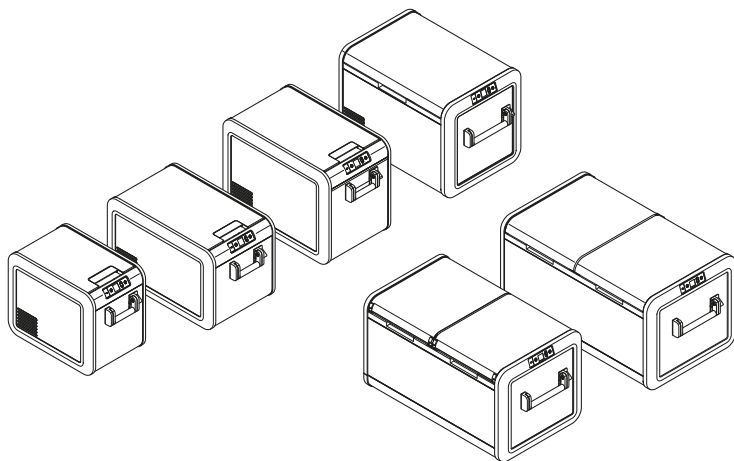


# ↗ DOMETIC

# MOBILE COOLING

# CFX5



## CFX5 25, CFX5 35, CFX5 45, CFX5 55IM, CFX5 75DZ, CFX5 95DZ

<b>EN</b>	<b>Cooling box</b> Operating Manual.....	3
<b>FR</b>	<b>Glacière</b> Manuel d'utilisation.....	35
<b>ES</b>	<b>Nevera</b> Instrucciones de uso.....	68

## Copyright

© 2024 Dometic Group. The visual appearance of the contents of this manual is protected by copyright and design law. The underlying technical design and the products contained herein may be protected by design, patent or pending patent. The trademarks mentioned in this manual belong to Dometic Sweden AB. All rights are reserved.

# English

1	Important notes.....	3
2	Explanation of symbols.....	3
3	Safety instructions.....	4
4	Scope of delivery.....	6
5	Accessories.....	6
6	Intended use.....	7
7	Technical description.....	7
8	Before first use.....	10
9	Operation.....	13
10	Cleaning and maintenance.....	26
11	Troubleshooting.....	27
12	Warranty.....	29
13	Disposal.....	29
14	Technical data.....	29
15	Legal.....	34

## 1 Important notes

Please read these instructions carefully and follow all instructions, guidelines, and warnings included in this product manual in order to ensure that you install, use, and maintain the product properly at all times. These instructions **MUST** stay with this product.

By using the product, you hereby confirm that you have read all instructions, guidelines, and warnings carefully and that you understand and agree to abide by the terms and conditions as set forth herein. You agree to use this product only for the intended purpose and application and in accordance with the instructions, guidelines, and warnings as set forth in this product manual as well as in accordance with all applicable laws and regulations. A failure to read and follow the instructions and warnings set forth herein may result in an injury to yourself and others, damage to your product or damage to other property in the vicinity. This product manual, including the instructions, guidelines, and warnings, and related documentation, may be subject to changes and updates. For up-to-date product information, please visit [documents.dometic.com](http://documents.dometic.com).

## 2 Explanation of symbols

A signal word will identify safety messages and property damage messages, and also will indicate the degree or level of hazard seriousness.



### **DANGER!**

Indicates a hazardous situation that, if not avoided, will result in death or serious injury.



### **WARNING!**

Indicates a hazardous situation that, if not avoided, could result in death or serious injury.



### **CAUTION!**

Indicates a hazardous situation that, if not avoided, could result in minor or moderate injury.



### **NOTICE!**

Indicates a situation that, if not avoided, can result in property damage.



**NOTE** Supplementary information for operating the product.

### 3 Safety instructions



#### **DANGER! Electrocutation hazard**

- > On boats: If the device is powered by the mains, ensure that the power supply has a residual current device (RCD), a residual current circuit breaker (RCCB), or a ground fault circuit interrupter (GFCI). Installation, especially in potentially damp areas, must be in accordance with all applicable installation regulations.
- > Do not touch exposed cables with your bare hands. This applies especially when operating the device from the AC mains.
- > Before starting the device, ensure that the power supply line and the plug are dry.



#### **WARNING! Explosion hazard**

Do not store any explosive substances such as spray cans with a flammable propellant in the cooling device.



#### **WARNING! Electrocutation hazard**

- > Do not operate the cooling device if it is visibly damaged.
- > If the cooling device's power cable is damaged, it must be replaced with a suitable power cable or assembly available from the manufacturer or its service agent to prevent safety hazard.
- > This cooling device may only be repaired by qualified personnel. Improper repairs can lead to considerable hazards.
- > Plug the device to sockets that ensure proper connection especially when the device needs to be earthed.



#### **WARNING! Fire hazard**

- > When positioning the cooling device, ensure that the supply cord is not trapped or damaged.
- > Do not locate multiple portable socket-outlets or portable power supplies at the rear of the device.
- > In the event of any damage to the refrigerant circuit:
  - Keep open flames and potential ignition sources away from the cooling device.
  - Ventilate the room well.
  - Switch off the cooling device.
- > Keep the ventilation openings on the device housing or in installations free of obstructions.
- > Do not use any mechanical objects or other means to speed up the defrosting process, unless they have been recommended by the manufacturer for this purpose.
- > Do not open or damage the refrigerant circuit.
- > Do not use electrical devices inside the cooling device unless they are recommended by the manufacturer for that purpose.



#### **WARNING! Health hazard**

- > This cooling device is not intended for use by persons (including children) with reduced physical, sensory or mental capabilities, or lack of experience and knowledge, unless they have been given supervision or instruction concerning use of the cooling device by a person responsible for their safety.
- > Children aged from 3 to 8 years are allowed to load and unload cooling devices.
- > Children must be supervised to ensure that they do not play with the device.
- > Cleaning and user maintenance must not be carried out by unsupervised children.



#### **CAUTION! Electrocutation hazard**

- > Before starting the cooling device, ensure that the power supply line and the plug are dry.
- > Disconnect the cooling device from the power supply



- Before each cleaning and maintenance
- After every use



### CAUTION! Health hazard

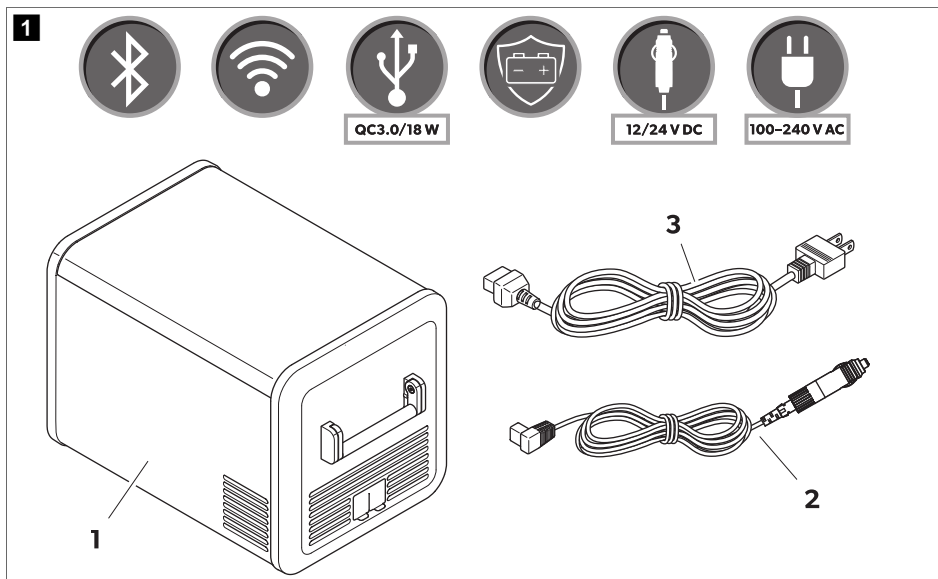
- > To avoid contamination of food, observe the following instructions:
  - Check if the cooling capacity of the cooling device is suitable for storing the food to be cooled.
  - Food may only be stored in its original packaging or in suitable containers.
  - Opening the cooling device for long periods of time can cause significant increase of the temperature in the compartments of the device.
  - Clean regularly surfaces that can come in contact with food and accessible drainage systems.
- > If the cooling device is left empty for long periods:
  - Switch off the cooling device.
  - Defrost the cooling device.
  - Clean and dry the cooling device.
  - Leave the lid open to prevent mold from developing within the cooling device.




### NOTICE! Damage hazard

- > Check that the voltage specification on the data plate corresponds to that of the energy supply.
- > Only connect the cooling device as follows:
  - With the DC connection cable to a DC power supply in the vehicle
  - With the AC connection cable to an AC power supply
- > Never pull the plug out of the socket by the cable.
- > If the cooling device is connected to a DC outlet, disconnect the cooling device and other power consuming devices from the battery before connecting a quick charging device.
- > If the cooling device is connected to a DC outlet, disconnect the cooling device or switch it off when turning off the engine. Otherwise the battery may be discharged.
- > The cooling device is not suitable for transporting caustic materials or materials containing solvents.
- > The insulation of the cooling device contains flammable cyclopentane and requires special disposal procedures. Deliver the cooling device at the end of its life-cycle to an appropriate recycling center.
- > Do not place the cooling device near open flames or other heat sources (heaters, direct sunlight, gas ovens, etc.).
- > **Risk of overheating!** Ensure at all times that there is a minimum of 50 mm (1.97 in) ventilation on all sides of the cooling device. Keep the ventilation area free of any objects that could obstruct the air flow to the cooling components. Do not use or store the cooling device in closed compartments or areas with none or minimal air flow.
- > Do not fill the inner container with ice or fluids.
- > Never immerse the cooling device in water.
- > Protect the cooling device and cables against heat and moisture.
- > The cooling device shall not to be exposed to rain.

## 4 Scope of delivery



Item in  Fig. 1 on page 6	Quantity	Description
1	1	Cooler
2	1	Connection cable for DC connection
3	1	Connection cable for AC connection

## 5 Accessories

Available as accessory (not included in scope of delivery):

Designation	Ref. no.	Model
<b>Protective cover</b>		
PC25	9620012808	CFX5 25
PC35	9620012806	CFX5 35
PC45	9620012805	CFX5 45
PC55	9620012810	CFX5 55IM
PC75	9620012811	CFX5 75DZ
PC95	9620012807	CFX5 95DZ
<b>Fridge slide</b>		
CFX5 SLD3545	9610000651	CFX5 35
		CFX5 45

Designation	Ref. no.	Model
CFX5 SLD55	9610000652	CFX5 55IM
CFX5 SLD75	9610000653	CFX5 75DZ
CFX5 SLD95100	9610000655	CFX5 95DZ
Mobile Cooling app	–	suits all models
TIE-DOWN KIT - US	9600017007	suits all models
STRAP KIT - US	9600017296	suits all models
Hardwiring Kit HWK-DC	9600024894	suits all models

Note that the app may not be available in your country.

## 6 Intended use

The cooling device is suitable for cooling food. The cooling device is also suitable for use on vehicles.

The cooling device is designed to be operated from a DC on-board power supply of a vehicle or boat, from a DC auxiliary battery or from an AC power supply.

The cooling device is suitable for camping or other similar recreational uses.

The cooling device is intended to be used in applications such as:

- Staff kitchen areas in shops, offices and other working environments
- Farm houses
- Clients in hotels, motels and other residential type environments
- Bed and breakfast type environments
- Catering and similar non-retail applications

This product is only suitable for the intended purpose and application in accordance with these instructions.

This manual provides information that is necessary for proper installation and/or operation of the product. Poor installation and/or improper operation or maintenance will result in unsatisfactory performance and a possible failure.

The manufacturer accepts no liability for any injury or damage to the product resulting from:

- Incorrect installation, assembly or connection, including excess voltage
- Incorrect maintenance or use of spare parts other than original spare parts provided by the manufacturer
- Alterations to the product without express permission from the manufacturer
- Use for purposes other than those described in this manual

Dometic reserves the right to change product appearance and product specifications.

## 7 Technical description

A low maintenance refrigerant circuit with compressor provides the cooling. The generous insulation and the powerful compressor ensure efficient and fast cooling.

The cooling device is portable.

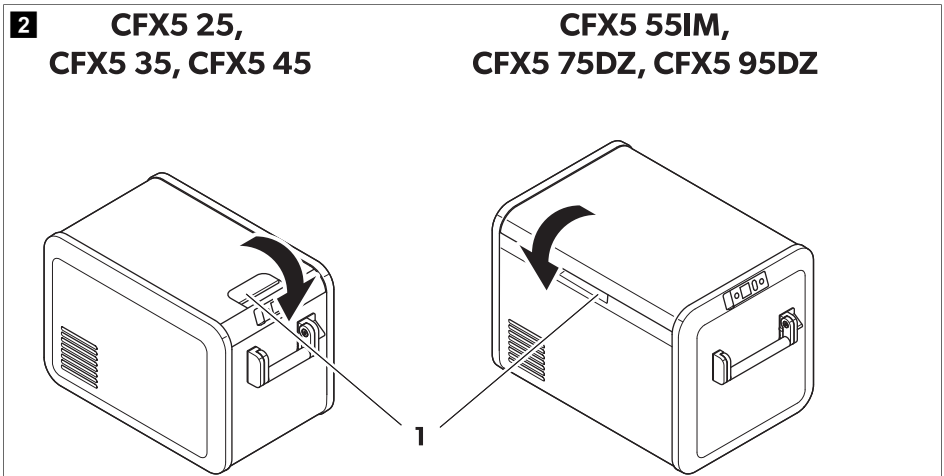
The cooling device can withstand a short-term inclination of 30°, for example on boats.

## 7.1 Scope of functions

- Power supply with priority circuit for connecting to the AC power supply
- Three-level battery monitor to protect the vehicle battery (switches off automatically at low battery voltage)
- Display with temperature gauge in °C and °F
- Temperature setting: In steps of 1 °C (1 °F)
- Integrated Bluetooth and WiFi function hence controllable using an app
- Foldable carry handles
- USB charger for portable devices such as mobile phones
- Removable wire basket
- Integrated bottle opener
- **CFX5 55IM only:** Ice maker

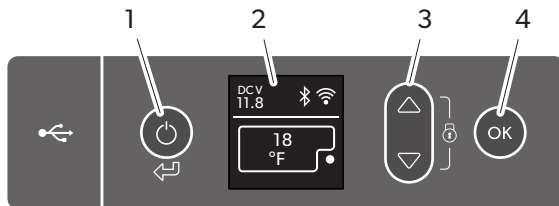
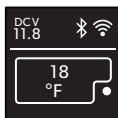
## 7.2 Operating and display elements

Lid latches (  Fig. 2 on page 8)

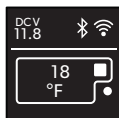


Operating panel (  Fig. 3 on page 9)

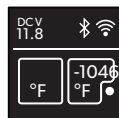
3

CFX5 25, CFX5 35,  
CFX5 45

CFX5 55 IM

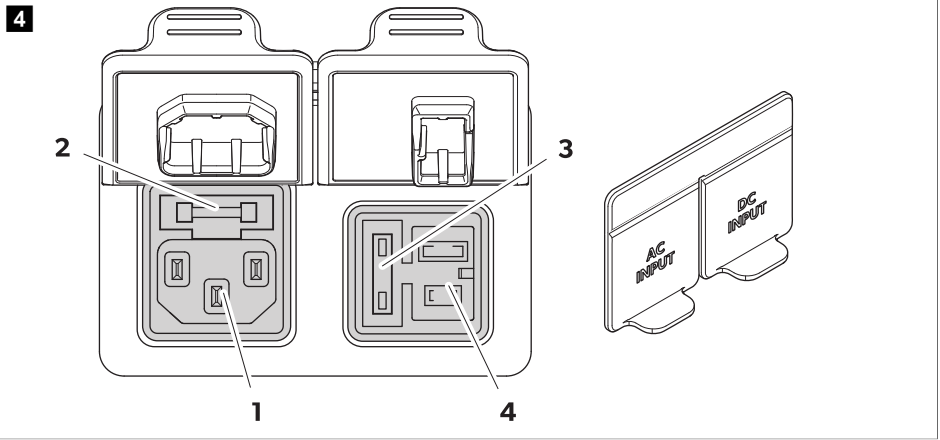


CFX5 75DZ, CFX5 95DZ



Item	Description	Explanation
1		Switches the cooling device on when the button is pressed briefly Switches the cooling device off when the button is pressed for three seconds Returns to the previous menu
2	Display	<b>AC</b> : AC power supply is connected <b>DCV</b> : DC power supply is connected ⌘: Bluetooth is activated 📶: WiFi is activated 🔒: Display is locked ●: Compressor is working ■: Ice maker is working (CFX5 55IM only)
3		Press  to navigate upwards or to increase the selected value. Press  to navigate downwards or to decrease the selected value. Press  and  simultaneously for 3 s to lock or unlock the display.
4		Press to select a menu or to save the selected value.

Connection sockets ( Fig. 4 on page 10)



Item	Description
1	Connection socket AC voltage supply
2	AC fuse holder
3	DC fuse cover
4	Connection socket DC voltage supply

## 8 Before first use



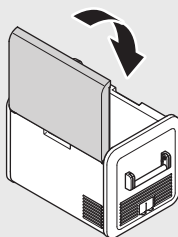
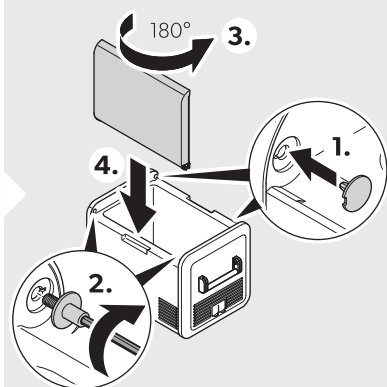
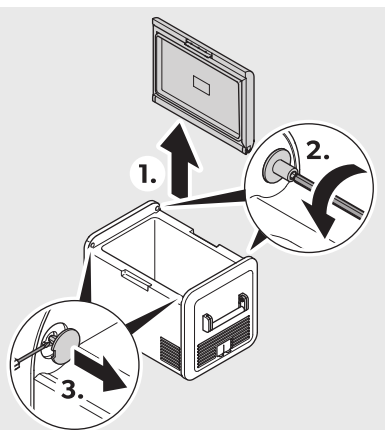
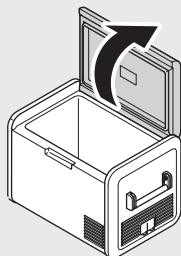
**NOTE** Before starting the cooling device for the first time, clean it inside and outside with a damp cloth for hygienic reasons (see *Cleaning and maintenance* on page 26).

## Reversing the lid opening

To reverse the lid opening proceed as shown:

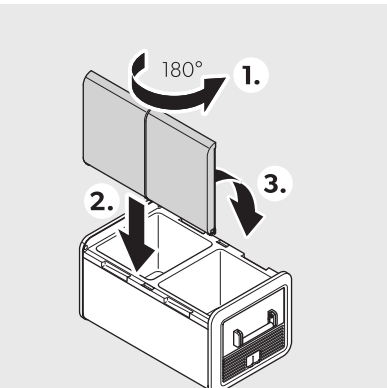
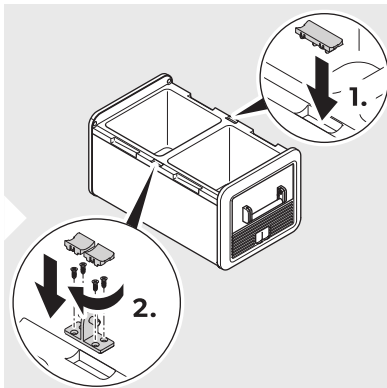
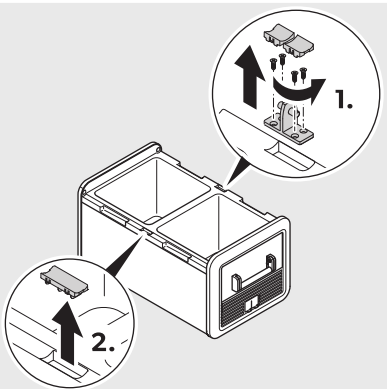
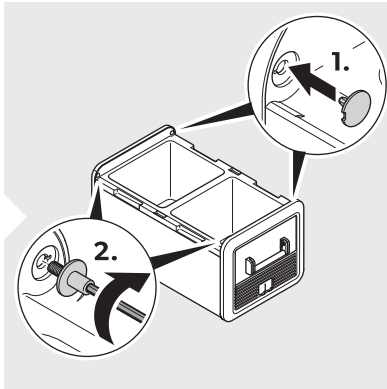
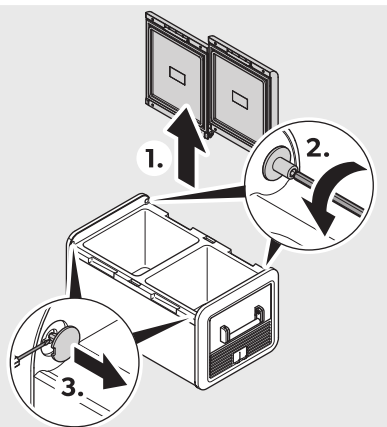
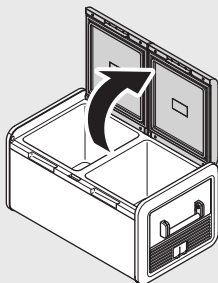
> **CFX5 55IM**

**5**



> CFX575DZ, CFX5 95DZ

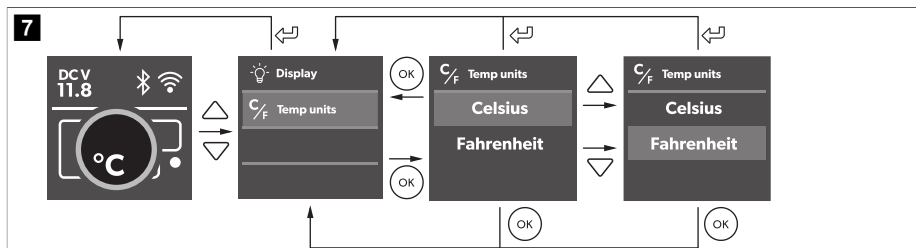
6





## Selecting the temperature units

- > Select the temperature as shown.



## 9 Operation

### 9.1 Saving energy

- > Choose a well ventilated location which is protected from direct sunlight.
- > Allow warm food to cool down first before placing it in the cooling device to keep cool.
- > Do not open the cooling device more often than necessary.
- > Do not leave the cooling device open for longer than necessary.
- > If the cooling device has a basket: For optimal energy consumption, position the basket according to its position on delivery.
- > On a regularly basis, ensure the lid seal still fits properly.
- > Avoid unnecessarily low temperatures.

### 9.2 Connecting the cooling device



#### **WARNING! Fire hazard**

Do not connect more than one power source to the product at any given time. Electrical system damage can occur and may result in a fire.

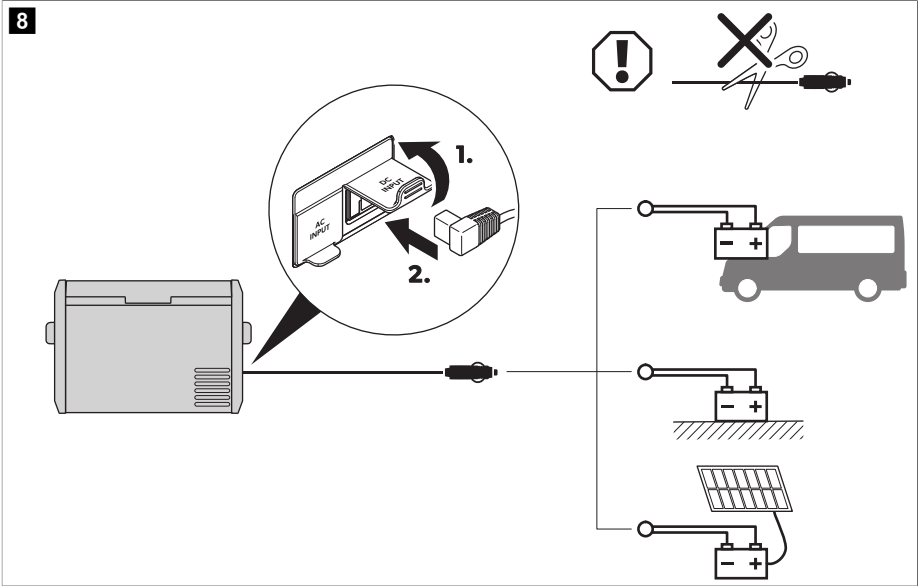
#### **Connecting to a DC source**



#### **NOTICE! Damage hazard**

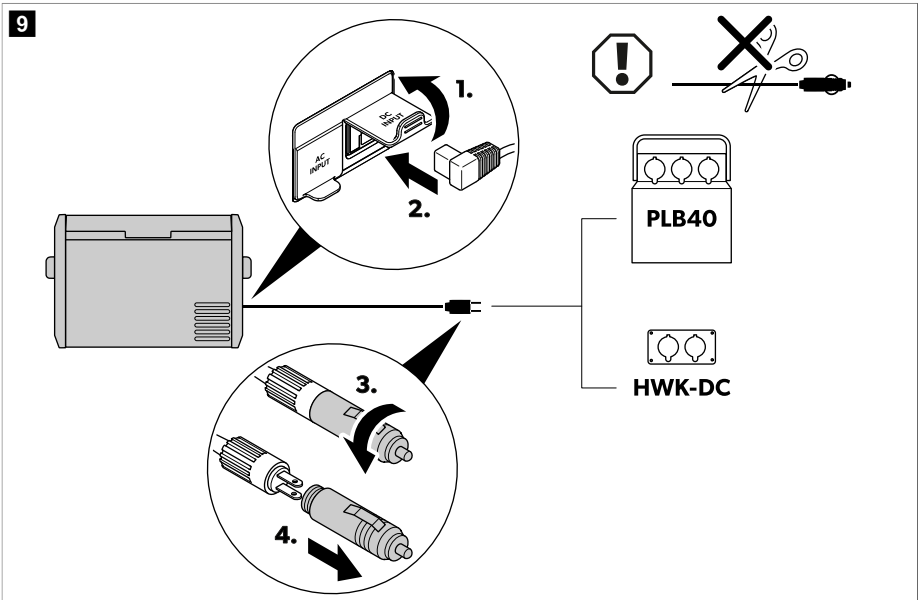
For protection of the device the DC cable supplied includes a fuse inside the plug. Do **not** remove the fused DC plug. Only use the DC cable supplied.

> Connect the device to a DC source as shown.



**Connecting to the Portable Battery Pack PLB40 or the Hardwiring Kit HWK-DC (accessories)**

> Connect the device to PLB40 or HWK-DC as shown.



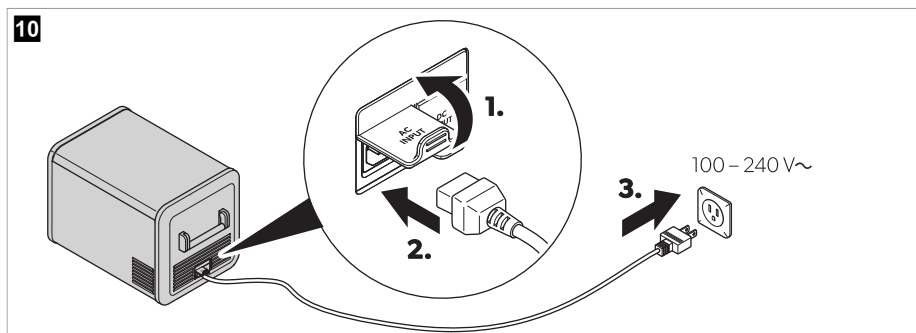
## Connecting to an AC power supply



### **DANGER! Electrocutation hazard**

- > Never handle plugs and switches with wet hands or if you are standing on a wet surface.
- > If necessary, seek advice from a trained technician.

- > Connect the device to an AC power supply as shown.



## 9.3 Using the battery monitor

The cooling device is equipped with a battery monitor that provides a 3-stage battery protection. The battery protection prevents excessive discharging when the cooling device is connected to a vehicle starter battery or maximises the use of a supply battery.

If the cooling device is operated when the vehicle ignition is switched off, the cooling device switches off automatically as soon as the supply voltage falls below a set level. The cooling device will switch back on once the battery has been recharged to the restart voltage level.



### **NOTICE! Damage hazard**

When switched off by the battery monitor, the battery will no longer be fully charged. Avoid starting repeatedly or operating current consumers without longer charging phases. Ensure that the battery is recharged.



**NOTE** When the cooling device is supplied by the starter battery, select the battery monitor mode "HIGH". If the cooling device is connected to a supply battery, the battery monitor mode "LOW" will suffice.

> Set the battery monitor as shown.

**11**

**Low**

**Medium/High**

		Low	Medium	High
12V 	OFF	10.1 V	11.2 V	11.8 V
	ON	11.4 V	12.2 V	12.6 V
24V 	OFF	21.5 V	24.1 V	24.6 V
	ON	23.0 V	25.3 V	26.2 V

### 9.4 Using the cooling device



**NOTICE! Risk of overheating**

Ensure at all times that there is sufficient ventilation so that the heat that generated during operation can dissipate. Ensure that the ventilation slots are not covered. Ensure that the device is sufficiently far away from walls and other objects so that the air can circulate.



**NOTICE! Damage hazard from excessively low temperature**

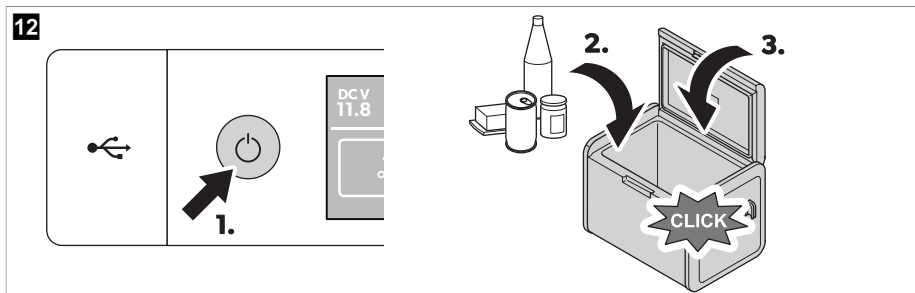
Ensure that only those objects are placed in the cooling device that are intended to be cooled at the selected temperature.



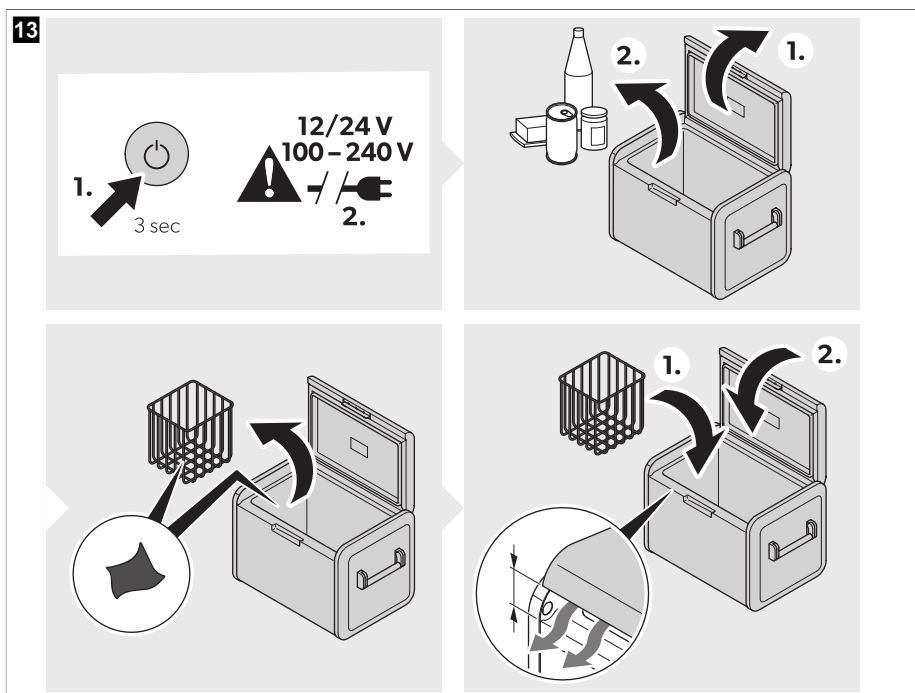
**NOTE** When operating with the battery:

- When voltage is  $< 8 \text{ V}$  the display switches off automatically.
- When voltage is  $\geq 8 \text{ V}$  and  $\leq 12 \text{ V}$  the display may show "ALERT - Voltage low" depending on the battery monitor mode setting.

> Switch the cooling device on:



> Switch the cooling device off:



## 9.5 Using the display

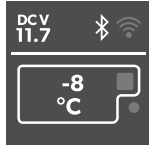
**Display states:**

14

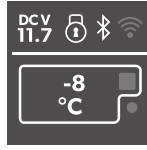
A



B



C



**Item Description**

A	Stand by
B	Idle
C	Locked

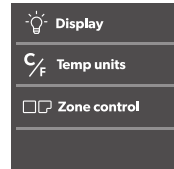
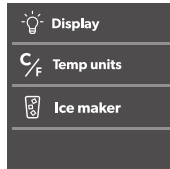
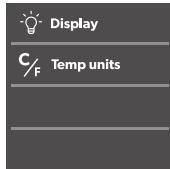
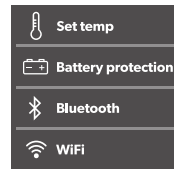
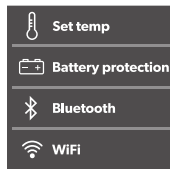
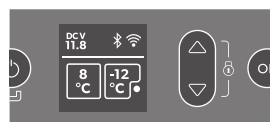
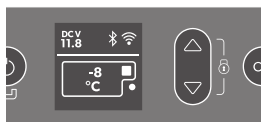
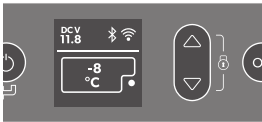
**Display overview:**

15

CFX5 25/CFX5 35/  
CFX5 45

CFX5 55IM

CFX5 75DZ/  
CFX5 95DZ



**Navigating through the menus**

The highlighted menu is selected.

- > Press to navigate upwards.
- > Press to navigate downwards.

**Choosing a menu**

- > Press to select the required menu.

## Changing settings

The highlighted value or setting is selected.

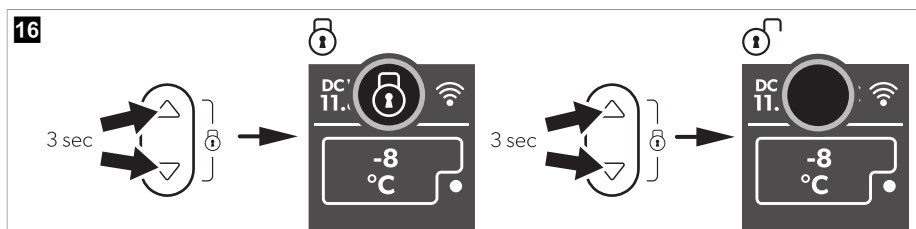
- > Press  $\triangle$  to increase the selected value or to choose the previous setting.
- > Press  $\nabla$  to decrease the selected value or to choose the next setting.

## Returning to the previous menu

- > Press  $\leftarrow$  to return to the previous menu without saving.

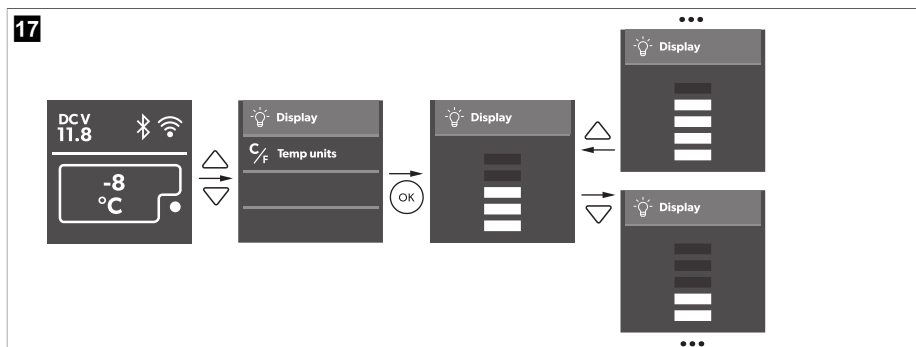
## 9.6 Locking/unlocking the display

- > Press  $\triangle$  and  $\nabla$  simultaneously for 3 s to lock or unlock the display.



## 9.7 Setting the display brightness

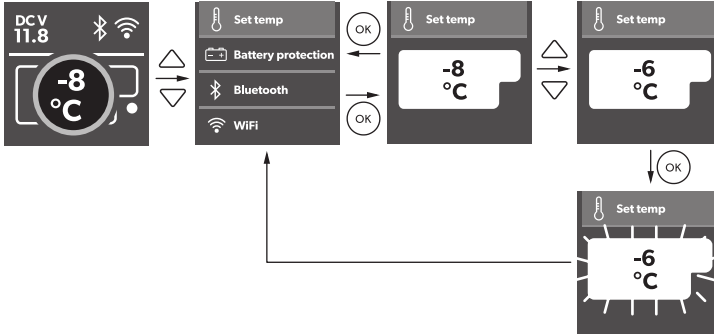
- > Set the display brightness as shown.



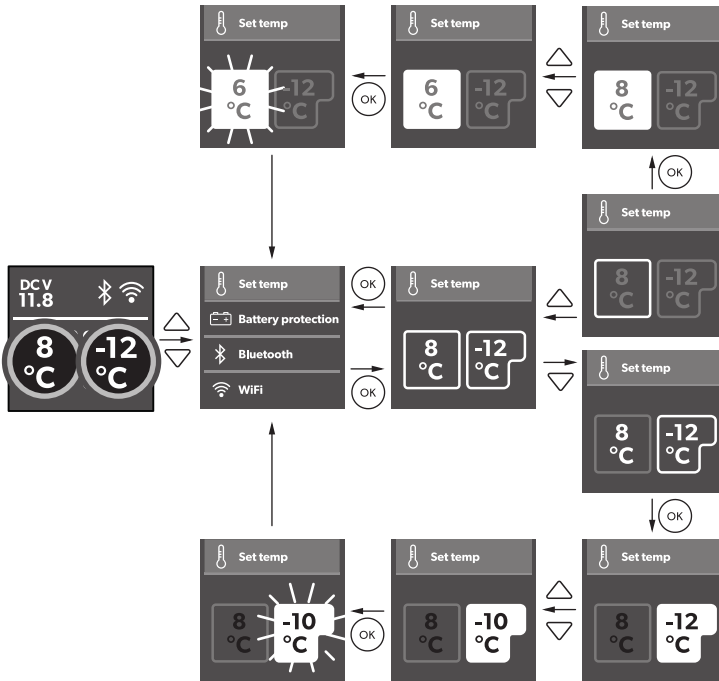
## 9.8 Setting the temperature

> Set the temperature as shown.

### 18 CFX5 25/CFX5 35/CFX5 45/CFX5 55IM



### CFX5 75DZ/CFX5 95DZ

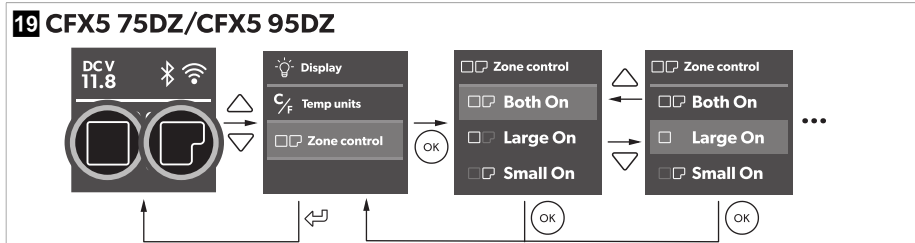




## 9.9 Switching a compartment off or on (CFX5 75DZ, CFX5 95DZ only)

You can activate each zone individually or both of them.

- > Activate or deactivate the zones as shown.



## 9.10 Using the ice maker (CFX5 55IM only)

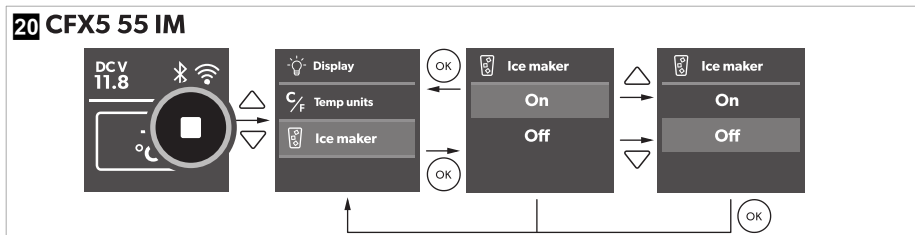


### NOTE

- > Independent of the main compartment's temperature setting, the ice maker zone is designed for making ice cubes if the ice maker is switched on.
- > The cooling device's energy consumption increases with ice maker on. Therefore you should switch off the ice maker if it is not needed.
- > The factory setting for the ice maker is OFF.

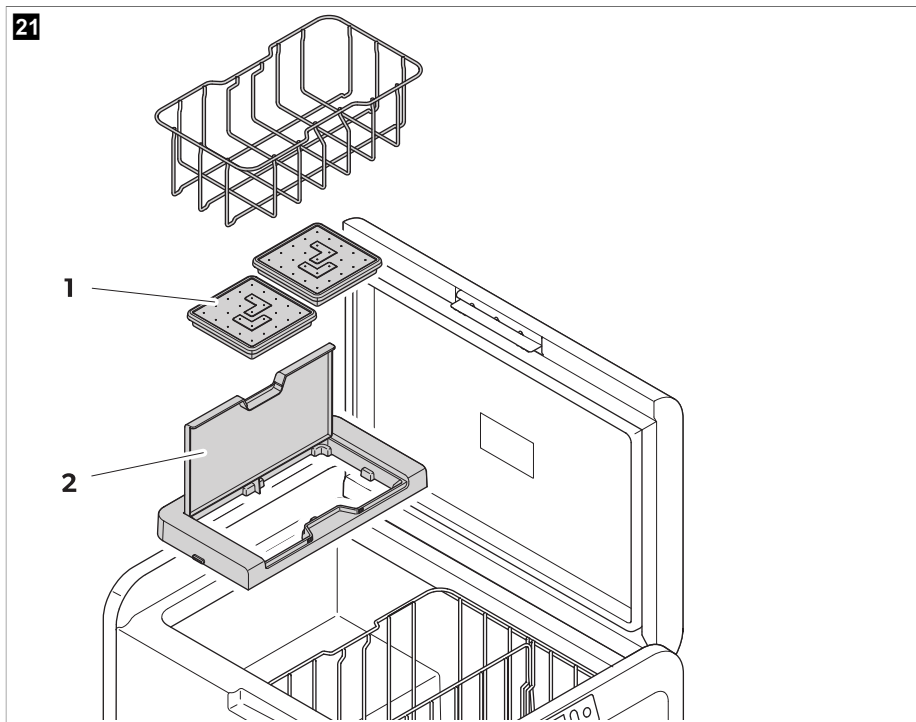
Tips for using the ice maker

- The ice maker makes ice fast for a number of hours after switching on and then automatically goes into an ice maintenance mode to reduce energy consumption. If multiple batches of ice are required as quickly as possible, switching the ice maker off and back on will set it back into fast ice making mode. Repeat as required.
  - Low freezer temperature settings in the main compartment may not be maintained in high ambient temperature conditions with the ice maker switched on.
- > To turn the ice maker on or off proceed as shown:



### Filling the ice trays with water

- > Remove the ice trays (  Fig. 21 on page 22 1) from the ice maker housing (  Fig. 21 on page 22 2).



### Removing the ice cubes



#### NOTE

Removal may require additional force using two hands in high humidity conditions which may create an ice bond underneath the ice trays.

1. Open the ice maker housing lid and lift under the front of the ice trays.
2. Remove the ice tray covers and twist trays to release the ice cubes.

### Removing the ice maker housing

The ice maker housing can be removed for cleaning or when not in use to increase usable space inside the cooling device.

- > Lift the housing at one end until the lug unclips, then remove.
- > Reverse procedure for re-fit, pushing down on lugs to snap into position.

### Cleaning and drying the ice maker

- > When not in use clean and dry the ice trays and inside the ice maker housing to prevent mould.

- > After extended periods of non-use clean the inside of the ice trays with a mild dish washing solution and rinse with clean water prior to use.

## 9.11 Using Bluetooth and Wi-Fi

### Downloading the Mobile Cooling app

The cooling device can be monitored and controlled via Bluetooth or Wi-Fi using an app that you can install on a compatible device.



Download the Mobile Cooling app.

### Setting the Bluetooth signal and connecting to the app

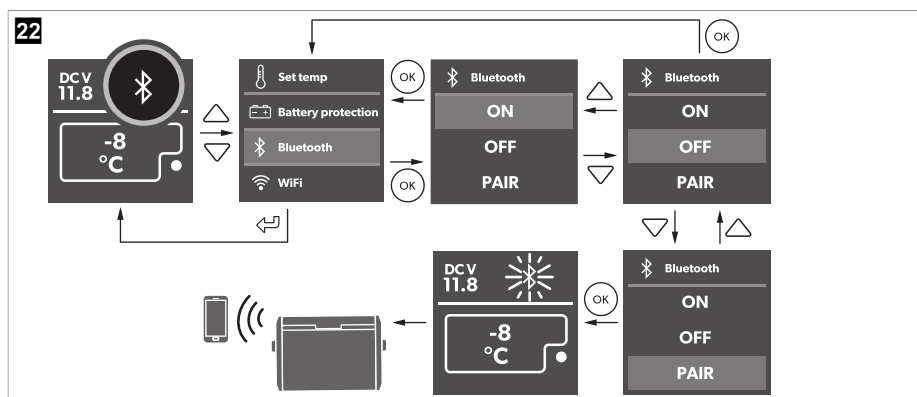
The cooling device can be monitored and controlled via Bluetooth. To do so pair the cooling device with your Bluetooth device.



#### NOTE

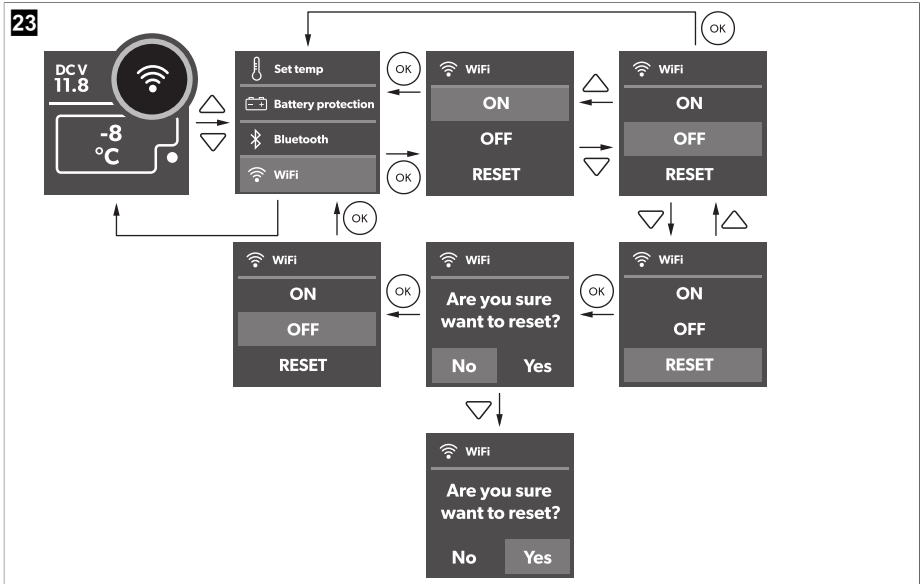
- Pairing must be done within the Mobile Cooling app, not in device settings.
- There is no password required for Bluetooth connection.

- > Setting the Bluetooth signal and connect the app as shown.



### Setting the Wi-Fi signal

- > Set the Wi-Fi signal as shown.



### Operating Bluetooth and Wi-Fi

- > Follow the instructions in the mobile cooling app.
- ✓ The Bluetooth or Wi-Fi LED lights up when the cooler is connected.

### 9.12 Resetting to factory settings

The reset function changes all display menu and app fields to the original factory settings.

- > Reset the device to factory settings as shown.



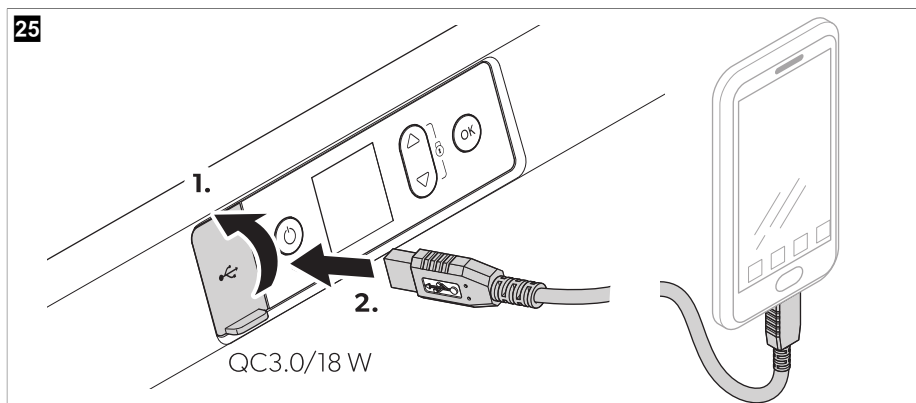
### 9.13 USB port for power supply

The USB port allows you to charge small devices like mobile phones and mp3 players.



**NOTE** Ensure that any small device connected to the USB port is compatible with 5 V/2.5 A operation.

- > Use the USB port as shown.



## 9.14 Defrosting the cooling device

Humidity can form frost in the interior of the cooling device or on the evaporator. This reduces the cooling capacity.



### NOTICE! Damage hazard

Never use hard or pointed tools to remove ice or to loosen objects which have frozen in place.

To defrost the cooling device proceed as follows:


1. Remove the contents of the cooling device.
2. If necessary, place the contents in another cooling device to keep them cold.
3. Switch off the cooling device.
4. Leave the lid open.
5. Wipe off defrosted water.

## 9.15 Replacing the AC fuse




### DANGER! Electrocutation hazard

Disconnect the power supply and the connection cable before you replace the device fuse.

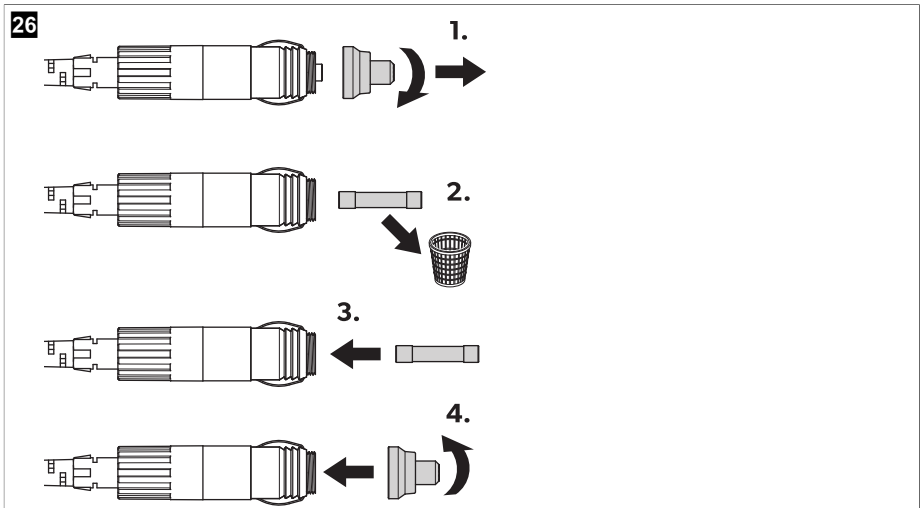
1. Disconnect the power supply to the device.
2. Remove the connection cable.
3. Pry out the fuse insert (  Fig. 4 on page 10 2) with a screwdriver.
4. Replace the defective glass fuse with a new one of the same type and rating (Fast acting, 4 A, 250 V).
5. Press the fuse insert back into the housing.
6. Reconnect the power supply to the device.

## 9.16 Replacing the DC fuse

1. Disconnect the power supply to the cooling device.
2. Pry out the fuse cover (  Fig. 4 on page 10 3) with a screwdriver.
3. Reverse the fuse cover and use hook to remove the defective blade fuse.
4. Push in a new fuse of the same type and rating.
  - CFX5 25, CFX5 35, CFX5 45: 10 A
  - CFX5 75DZ, CFX5 95DZ: 15 A
5. Re-fit the fuse cover.
6. Reconnect the power supply to the cooling device.

## 9.17 Replacing the DC plug fuse

- > Replace the defective fuse with a new fuse of the same type and rating as shown.



- CFX5 25, CFX5 35, CFX5 45: 10 A
- CFX5 75DZ, CFX5 95DZ: 15 A

## 10 Cleaning and maintenance



### CAUTION! Electrocutation hazard

Ensure that the cooling device is disconnected from the power supply before any cleaning or maintenance work.



### NOTICE! Damage hazard

- > Never clean the cooling device under running water or in dish water.
- > Do not use abrasive cleaning agents or hard objects during cleaning.

- > Occasionally clean the device interior and exterior with a damp cloth.

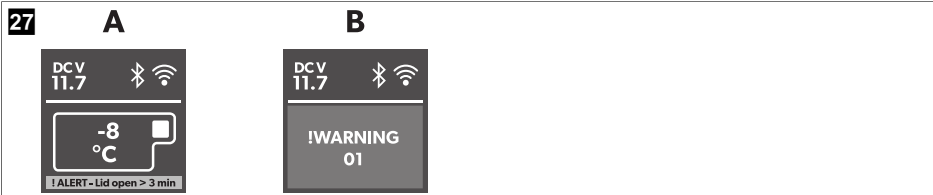
- > Ensure that the air inlet and outlet vents on the cooling device are free of any dust and dirt, so that heat can be released and the cooling device is not damaged.

## 11 Troubleshooting

Problem	Possible cause	Suggested remedy
The device does not function (DC mode, ignition on).	No voltage was detected in the DC power outlet	> In most vehicles the ignition must be turned on before power will be supplied to the DC power outlet.
	The DC outlet is dirty. This results in a poor electrical contact.	> If the plug of the device becomes very warm in the DC outlet, either the DC outlet must be cleaned or the plug has not been assembled correctly.
	The fuse of the DC plug has blown.	> Replace the defective fuse in the DC plug, see Replacing the DC plug fuse on page 26.
	The device DC fuse has blown.	> Replace the DC device fuse, see Replacing the DC fuse on page 26.
	The vehicle fuse has blown.	> Replace the vehicle's DC outlet fuse. Refer to your vehicle's operating manual.
Device does not function (AC mode).	No voltage was detected in the AC voltage socket.	> Try using another plug outlet.
	The device AC fuse has blown.	> Replace the AC device fuse, see Replacing the AC fuse on page 25.
	The integrated AC adapter is defective.	This can only be repaired by an authorized repair center.
The display does not respond to keystrokes.	The display is locked.	> Unlock the display, see Locking/unlocking the display on page 19.
The app cannot control the device.	Bluetooth or Wi-Fi is not connected.	> Connect to Bluetooth (see Setting the Bluetooth signal and connecting to the app on page 23) or connect to Wi-Fi (see Setting the Wi-Fi signal on page 24).
The display shows an alert message or warning code.	–	> See the following tables.

### 11.1 Alert messages

Example:



Alert message	Description	Possible cause	Suggested remedy
!ALERT - Lid open > 3 min	Lid open more than 3 min	Lid not fully latched	Check lid latched fully
		Internal fault	Authorized repair center inspection required
!ALERT - Voltage low	The device has stopped working on DC due to low voltage	Insufficient supply voltage	Check voltage drop from battery to power outlet and increase wiring gauge if necessary
		Battery voltage is too low	Test the battery and charge as needed
		Battery protection is set too high	Select a lower battery protection setting
		Wrong DC supply voltage specification	Ensure DC supply voltage specification matches product rating label
		Faulty supply voltage	Check DC voltage supply and repair or replace if faulty
	The device has stopped working on DC due to abnormally high voltage > 31.5 V (unlikely event – for electronics protection only – uses same alert message as low voltage above)	Internal fault	Authorized repair center inspection required

## 11.2 Warning codes

Example:  Fig. 27 on page 28

Warning code	Fault	Possible cause	Suggested remedy
!WARNING 01	NTC open circuit SZ & DZ LARGE	Internal fault	Authorized repair center inspection required
!WARNING 02	NTC short circuit SZ & DZ LARGE		
!WARNING 11	NTC open circuit DZ SMALL		
!WARNING 12	NTC short circuit DZ SMALL		
!WARNING 03/43	Communication error		
!WARNING 09	DZ valve or Ice maker valve faulty		Power off the device for at least 1 min, then restart. If the problem persists, authorized repair center inspection is required.
!WARNING 32	Fan over-current	Internal fault	Power off the device for at least 5 min, then restart. If the problem persists, authorized repair center inspection is required.
!WARNING 33	Compressor start fail		



Warning code	Fault	Possible cause	Suggested remedy
!WARNING 34	Compressor speed low	<ul style="list-style-type: none"> <li>High ambient temperature</li> </ul>	<ul style="list-style-type: none"> <li>Power off the device for at least 30 min or move to a cooler location, then restart.</li> </ul>
!WARNING 35	Controller over-temperature	<ul style="list-style-type: none"> <li>Air vent blocked or insufficient clearance</li> <li>Internal fault</li> </ul>	<ul style="list-style-type: none"> <li>Clear the vents</li> <li>Authorized repair center inspection required</li> </ul>

## 12 Warranty

Refer to the sections below for information about warranty and warranty support in the US, Canada, and all other regions.

### United States and Canada

LIMITED WARRANTY AVAILABLE AT

[DOMETIC.COM/EN-US/TERMS-AND-CONDITIONS-CONSUMER/WARRANTY](http://DOMETIC.COM/EN-US/TERMS-AND-CONDITIONS-CONSUMER/WARRANTY). IF YOU HAVE QUESTIONS, OR TO OBTAIN A COPY OF THE LIMITED WARRANTY FREE OF CHARGE, CONTACT:

DOMETIC CORPORATION  
CUSTOMER SUPPORT CENTER  
5155 VERDANT DRIVE  
ELKHART, INDIANA 46516  
1-800-544-4881

### All Other Regions

For repair and warranty processing, please include the following documents when you send in the device:

- A copy of the receipt with purchasing date
- A reason for the claim or description of the fault

Note that self-repair or nonprofessional repair can have safety consequences and might void the warranty.

## 13 Disposal



Recycling packaging material: Place the packaging material in the appropriate recycling waste bins wherever possible.



### **WARNING! Risk of child entrapment**

Before disposing of your old cooling device, dismantle the lid. Leave the baskets in place so that children may not easily climb inside.



Recycling products with non-replaceable batteries, rechargeable batteries, or light sources:

- Dispose the product in accordance with all applicable regulations.
- The product can be disposed free of charge.

## 14 Technical data



**NOTE** The minimum temperature shown in “Cooling capacity” may be attained if the ambient temperature is above 32°C (89.6°F).



Test/certificates:

Follow EPA use conditions.

	<b>CFX5 25</b>
Connection voltage	12 V $\overline{=}$ / 24 V $\overline{=}$ 100 V $\sim$ ... 240 V $\sim$
Rated current	12 V $\overline{=}$ : 7.2 A 24 V $\overline{=}$ : 3.2 A 100 V $\sim$ : 0.85 A 240 V $\sim$ : 0.36 A
Cooling capacity	20°C (68°F) ... -22°C (-7.6°F)
Climate class	N, T
Volume	25 L (6.61 gal)
Ambient temperature	16°C (60.8°F) ... 43°C (109.4°F)
Refrigerant	R1234yf
Refrigerant quantity	21 g (0.7 oz)
Frequency range	WiFi: 2400 MHz ... 2483.5 MHz Bluetooth/BLE: 2400 MHz ... 2483.5 MHz
Frequency band (WiFi)	2.4 GHz
RF output power	WiFi: 19.91 dBm (802.11b), 19.91 dBm (802.11g), 19.91 dBm (802.11n), Bluetooth: 11.23 dBm Bluetooth LE: 11.23 dBm
Dimensions W x D x H (including handles)	342 mm (13.46 in) x 569 mm (22.40 in) x 420 mm (16.54 in)
Weight	15.5 kg (34.2 lb)
	<b>CFX5 35</b>
Connection voltage	12 V $\overline{=}$ / 24 V $\overline{=}$ 100 V $\sim$ ... 240 V $\sim$

	<b>CFX5 35</b>
Rated current	12 V <sub>DC</sub> : 7.6 A 24 V <sub>DC</sub> : 3.4 A 100 V <sub>AC</sub> : 0.9 A 240 V <sub>AC</sub> : 0.38 A
Cooling capacity	20°C (68°F) ... -22°C (-7.6°F)
Climate class	N, T
Volume	36 L (9.51 gal)
Ambient temperature	16°C (60.8°F) ... 43°C (109.4°F)
Refrigerant	R1234yf
Refrigerant quantity	30 g (1.1 oz)
Frequency range	WiFi: 2400 MHz ... 2483.5 MHz Bluetooth/BLE: 2400 MHz ... 2483.5 MHz
Frequency band (WiFi)	2.4 GHz
RF output power	WiFi: 19.91 dBm (802.11b), 19.91 dBm (802.11g), 19.91 dBm (802.11n), Bluetooth: 11.23 dBm Bluetooth LE: 11.23 dBm
Dimensions W x D x H (including handles)	398 mm (15.67 in) x 694 mm (27.32 in) x 407 mm (16.02 in)
Weight	19 kg (41.9 lb)

	<b>CFX5 45</b>
Connection voltage	12 V <sub>DC</sub> / 24 V <sub>DC</sub> 100 V <sub>AC</sub> ... 240 V <sub>AC</sub>
Rated current	12 V <sub>DC</sub> : 8.1 A 24 V <sub>DC</sub> : 3.7 A 100 V <sub>AC</sub> : 0.94 A 240 V <sub>AC</sub> : 0.39 A
Cooling capacity	20°C (68°F) ... -22°C (-7.6°F)
Climate class	N, T
Volume	46 L (12.15 gal)
Ambient temperature	16°C (60.8°F) ... 43°C (109.4°F)
Refrigerant	R1234yf
Refrigerant quantity	33 g (1.2 oz)

	<b>CFX5 45</b>
Frequency range	WiFi: 2400 MHz ... 2483.5 MHz Bluetooth/BLE: 2400 MHz ... 2483.5 MHz
Frequency band (WiFi)	2.4 GHz
RF output power	WiFi: 19.91 dBm (802.11b), 19.91 dBm (802.11g), 19.91 dBm (802.11n), Bluetooth: 11.23 dBm Bluetooth LE: 11.23 dBm
Dimensions W x D x H (including handles)	398 mm (15.67 in) × 694 mm (27.32 in) × 476 mm (18.74 in)
Weight	20.9 kg (46.1 lb)

	<b>CFX5 55IM</b>
Connection voltage	12 V $\overline{=}$ / 24 V $\overline{=}$ 100 V $\sim$ ... 240 V $\sim$
Rated current	12 V $\overline{=}$ : 8.5 A 24 V $\overline{=}$ : 4 A 100 V $\sim$ : 0.96 A 240 V $\sim$ : 0.4 A
Cooling capacity	20°C (68°F) ... -22°C (-7.6°F)
Climate class	N, T
Total volume	55 L (14.53 gal)
Ambient temperature	16°C (60.8°F) ... 43°C (109.4°F)
Refrigerant	R1234yf
Refrigerant quantity	34 g (1.2 oz)
Frequency range	WiFi: 2400 MHz ... 2483.5 MHz Bluetooth/BLE: 2400 MHz ... 2483.5 MHz
Frequency band (WiFi)	2.4 GHz
RF output power	WiFi: 19.91 dBm (802.11b), 19.91 dBm (802.11g), 19.91 dBm (802.11n), Bluetooth: 11.23 dBm Bluetooth LE: 11.23 dBm
Dimensions W x D x H (including handles)	720 mm (28.35 in) × 455 mm (17.91 in) × 480 mm (18.90 in)
Weight	24.3 kg (53.6 lb)

	<b>CFX5 75DZ</b>
Connection voltage	12 V <sup>===</sup> / 24 V <sup>===</sup> 100 V <sup>~</sup> ... 240 V <sup>~</sup>
Rated current	12 V <sup>===</sup> : 9.7 A 24 V <sup>===</sup> : 4.4 A 100 V <sup>~</sup> : 1.11 A 240 V <sup>~</sup> : 0.47 A
Cooling capacity	20°C (68°F) ... -22°C (-7.6°F)
Climate class	N, T
Total volume	75 L (19.82 gal) (45 L (11.89 gal)/30 L (7.93 gal))
Ambient temperature	16°C (60.8°F) ... 43°C (109.4°F)
Refrigerant	R1234yf
Refrigerant quantity	46 g (1.6 oz)
Frequency range	WiFi: 2400 MHz ... 2483.5 MHz Bluetooth/BLE: 2400 MHz ... 2483.5 MHz
Frequency band (WiFi)	2.4 GHz
RF output power	WiFi: 19.91 dBm (802.11b), 19.91 dBm (802.11g), 19.91 dBm (802.11n), Bluetooth: 11.23 dBm Bluetooth LE: 11.23 dBm
Dimensions W x D x H (including handles)	892 mm (35.12 in) × 495 mm (19.49 in) × 472 mm (18.58 in)
Weight	30.5 kg (67.3 lb)

	<b>CFX5 95DZ</b>
Connection voltage	12 V <sup>===</sup> / 24 V <sup>===</sup> 100 V <sup>~</sup> ... 240 V <sup>~</sup>
Rated current	12 V <sup>===</sup> : 9.8 A 24 V <sup>===</sup> : 4.5 A 100 V <sup>~</sup> : 1.15 A 240 V <sup>~</sup> : 0.48 A
Cooling capacity	20°C (68°F) ... -22°C (-7.6°F)
Climate class	N, T
Total volume	94 L (24.83 gal) (55 L (14.53 gal)/39 L (10.30 gal))

	<b>CFX5 95DZ</b>
Ambient temperature	16°C (60.8°F) ... 43°C (109.4°F)
Refrigerant	R1234yf
Refrigerant quantity	54 g (1.9 oz)
Frequency range	WiFi: 2400 MHz ... 2483.5 MHz Bluetooth/BLE: 2400 MHz ... 2483.5 MHz
Frequency band (WiFi)	2.4 GHz
RF output power	WiFi: 19.91 dBm (802.11b), 19.91 dBm (802.11g), 19.91 dBm (802.11n), Bluetooth: 11.23 dBm Bluetooth LE: 11.23 dBm
Dimensions W x D x H (including handles)	962 mm (37.87 in) x 530 mm (20.87 in) x 472 mm (18.58 in)
Weight	32.6 kg (71.9 lb)

## 15 Legal

This device complies with Part 15 of the FCC Rules. Operation is subject to the following two conditions:

- This device may not cause harmful interference.
- This device must accept any interference received, including interference that may cause undesired operation.

Changes or modifications not expressly approved by the party responsible for compliance could void the user's authority to operate the equipment. This equipment has been tested and found to comply with the limits for a Class B digital device, pursuant to part 15 of the FCC Rules. These limits are designed to provide reasonable protection against harmful interference in a residential installation. This equipment generates, uses and can radiate radio frequency energy and, if not installed and used in accordance with the instructions, may cause harmful interference to radio communications. However, there is no guarantee that interference will not occur in a particular installation. If this equipment does cause harmful interference to radio or television reception, which can be determined by turning the equipment off and on, the user is encouraged to try to correct the interference by one or more of the following measures:

- Reorient or relocate the receiving antenna.
- Increase the separation between the equipment and receiver.
- Connect the equipment into an outlet on a circuit different from that to which the receiver is connected.
- Consult the dealer or an experienced radio/TV technician for help.

This device complies with Industry Canada license-exempt RSS standard(s). Operation is subject to the following two conditions:

- This device may not cause interference.
- This device must accept any interference, including interference that may cause undesired operation of the device. This Class B digital apparatus complied with Canadian ICES-3(B)/NBM-3(B).

# Français

1	Remarques importantes.....	35
2	Signification des symboles.....	35
3	Consignes de sécurité.....	36
4	Contenu de la livraison.....	38
5	Accessoires.....	38
6	Usage conforme.....	39
7	Description technique.....	40
8	Avant la première utilisation.....	42
9	Utilisation.....	45
10	Nettoyage et entretien.....	58
11	Dépannage.....	59
12	Garantie.....	61
13	Mise au rebut.....	61
14	Caractéristiques techniques.....	62
15	Mentions légales.....	66

## 1 Remarques importantes

Veuillez lire et suivre attentivement l'ensemble des instructions, directives et avertissements figurant dans ce manuel afin d'installer, d'utiliser et d'entretenir le produit correctement à tout moment. Ces instructions DOIVENT rester avec le produit.

En utilisant ce produit, vous confirmez expressément avoir lu attentivement l'ensemble des instructions, directives et avertissements et que vous comprenez et acceptez de respecter les modalités et conditions énoncées dans le présent document. Vous acceptez d'utiliser ce produit uniquement pour l'usage et l'application prévus et conformément aux instructions, directives et avertissements figurant dans le présent manuel, ainsi qu'à toutes les lois et réglementations applicables. En cas de non-respect des instructions et avertissements figurant dans ce manuel, vous risquez de vous blesser ou de blesser d'autres personnes, d'endommager votre produit ou d'endommager d'autres biens à proximité. Le présent manuel produit, y compris les instructions, directives et avertissements, ainsi que la documentation associée peuvent faire l'objet de modifications et de mises à jour. Pour obtenir des informations actualisées sur le produit, consulter le site [documents.dometic.com](http://documents.dometic.com).

## 2 Signification des symboles

Un mot de signalement identifie les messages relatifs à la sécurité et aux dégâts matériels en indiquant le degré ou le niveau de gravité du danger.



### **DANGER !**

Indique une situation dangereuse qui, si elle n'est pas évitée, entraînera des blessures graves, voire mortelles.



### **AVERTISSEMENT !**

Indique une situation dangereuse qui, si elle n'est pas évitée, est susceptible d'entraîner des blessures graves, voire mortelles.



### **ATTENTION !**

Indique une situation dangereuse qui, si elle n'est pas évitée, est susceptible d'entraîner des blessures légères ou de gravité modérée.



### **AVIS !**

Indique une situation dangereuse qui, si elle n'est pas évitée, peut entraîner des dommages matériels.



**REMARQUE** Informations complémentaires sur l'utilisation de ce produit.

### 3 Consignes de sécurité



#### **DANGER ! Risque d'électrocution**

- > Sur les bateaux : Si l'appareil est alimenté sur secteur, assurez-vous que l'alimentation dispose d'un dispositif différentiel, d'un disjoncteur différentiel ou d'un disjoncteur de fuite à la terre. L'installation, en particulier dans les zones potentiellement humides, doit être conforme à toutes les réglementations applicables.
- > Ne touchez pas les câbles dénudés à mains nues. Cela est surtout valable en cas de fonctionnement sur secteur.
- > Avant de mettre l'appareil en service, assurez-vous que la ligne d'alimentation électrique et le connecteur sont secs.



#### **AVERTISSEMENT ! Risque d'explosion**

Ne stockez aucune substance explosive comme p. ex. des aérosols contenant un agent propulseur inflammable dans le dispositif de réfrigération.



#### **AVERTISSEMENT ! Risque d'électrocution**

- > Si le dispositif de réfrigération présente des dégâts visibles, ne le mettez pas en service.
- > Si le câble d'alimentation du dispositif de réfrigération est endommagé, il doit être remplacé par un câble ou un bloc d'alimentation approprié fourni par le fabricant ou un agent de service agréé pour éviter tout danger.
- > Seul un personnel qualifié est habilité à effectuer des réparations sur le dispositif de réfrigération. Des réparations inadéquates peuvent engendrer des risques considérables.
- > Branchez l'appareil sur des prises permettant un raccordement approprié, en particulier lorsque l'appareil doit être relié à la terre.



#### **AVERTISSEMENT ! Risque d'incendie**

- > Lors de la mise en place du dispositif de réfrigération, prenez garde à ne pas coincer ou endommager le cordon d'alimentation.
- > Ne placez pas de multiprises portables ou de blocs d'alimentation portables à l'arrière de l'appareil.
- > En cas d'endommagement du circuit frigorifique :
  - Tenez le dispositif de réfrigération à l'écart de toute flamme nue ou source d'ignition potentielle.
  - Aérez bien la pièce.
  - Mettez le dispositif de réfrigération à l'arrêt.
- > Dégagez les ouvertures d'aération sur le bâti de l'appareil ou dans les éléments encastrés.
- > N'exploitez aucun objet mécanique ou tout autre moyen pour accélérer le processus de dégivrage, sauf si le fabricant le recommande.
- > N'ouvrez ou n'endommagez en aucun cas le circuit frigorifique.
- > N'exploitez pas d'appareils électriques dans le dispositif de réfrigération, sauf s'ils sont recommandés par le fabricant pour cet usage.



#### **AVERTISSEMENT ! Risque pour la santé**

- > Ce dispositif de réfrigération ne doit pas être utilisé par des personnes (y compris les enfants) souffrant de déficiences physiques, sensorielles ou mentales ou manquant d'expérience ou de connaissances, sauf si une personne garante de leur sécurité les surveille ou leur fournit toutes les instructions adéquates concernant son utilisation.



- > Les enfants âgés de 3 à 8 ans peuvent charger et décharger les appareils de réfrigération.
- > Les enfants doivent être surveillés pour s'assurer qu'ils ne jouent pas avec l'appareil.
- > Le nettoyage et la maintenance ne doivent pas être effectués par des enfants sans surveillance.



#### **ATTENTION ! Risque d'électrocution**

- > Avant de mettre le dispositif de réfrigération en service, assurez-vous que la ligne d'alimentation électrique et le connecteur sont secs.
- > Coupez l'alimentation en courant du dispositif de réfrigération
  - Avant toute opération de nettoyage et d'entretien
  - Après chaque utilisation



#### **ATTENTION ! Risque pour la santé**

- > Pour éviter la contamination des aliments, respectez les instructions suivantes :
  - Vérifiez que la puissance frigorifique du dispositif de réfrigération correspond à la température de conservation recommandée pour les aliments à refroidir.
  - Les aliments doivent être conservés dans leur emballage d'origine ou dans des récipients appropriés.
  - L'ouverture prolongée du dispositif de réfrigération peut entraîner une augmentation significative de la température dans les compartiments du dispositif.
  - Nettoyez régulièrement les surfaces qui entrent en contact avec les aliments, ainsi que les systèmes de drainage accessibles.
- > Si le dispositif de réfrigération est laissé vide pendant une longue période :
  - Mettez le dispositif de réfrigération à l'arrêt.
  - Dégivrez le dispositif de réfrigération.
  - Nettoyez et séchez le dispositif de réfrigération.
  - Laissez le couvercle ouvert pour éviter que des moisissures ne se développent dans le dispositif de réfrigération.



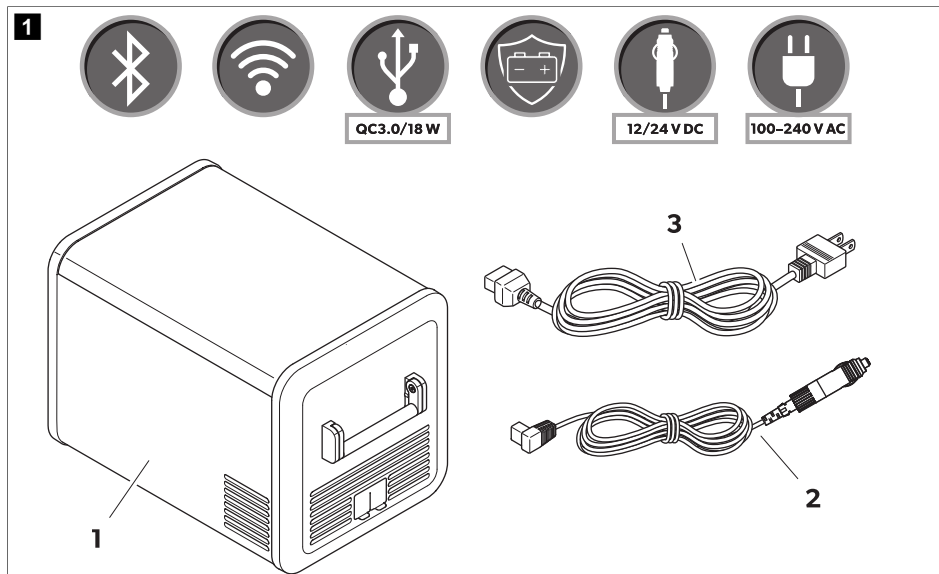
#### **AVIS ! Risque d'endommagement**


- > Vérifiez que la tension indiquée sur la plaque signalétique correspond à l'alimentation électrique dont vous disposez.
- > Raccordez le dispositif de réfrigération uniquement comme indiqué ci-dessous :
  - Raccordez le câble de raccordement au courant continu à l'alimentation en courant continu du véhicule
  - Avec le câble de raccordement CA à une alimentation CA.
- > Ne tirez jamais sur le câble de raccordement pour sortir la fiche de la prise.
- > Si le dispositif de réfrigération est raccordé à une prise de courant continu, débranchez le dispositif de réfrigération et les autres dispositifs électriques de la batterie avant de raccorder un chargeur rapide.
- > Si le dispositif de réfrigération est raccordé à une prise CC, débranchez-le ou éteignez-le lorsque vous éteignez le moteur. Dans le cas contraire, il se peut que la batterie se décharge.
- > Le dispositif de réfrigération n'est pas adapté pour le transport des matières caustiques ou contenant des solvants.
- > L'isolation du dispositif de réfrigération contient des gaz inflammables et nécessite des procédures d'élimination spéciales. À la fin de son cycle de vie, remettez le dispositif de réfrigération à un centre de recyclage approprié.
- > Ne placez pas le dispositif de réfrigération de flammes nues ou d'autres sources de chaleur (radiateurs, lumière du soleil, fours à gaz, etc.).
- > **Risque de surchauffe !** En toutes circonstances, maintenez une zone de ventilation de 50 mm (1,97 in) minimum tout autour du dispositif de réfrigération. Cette zone de ventilation doit rester

exempte de tout objet susceptible d'obstruer le flux d'air vers les composants réfrigérants. N'utilisez pas le dispositif de réfrigération et ne le stockez pas dans des zones ou compartiments clos, dans lesquels la circulation de l'air est insuffisante, voire inexistante.

- > Ne remplissez pas le bac intérieur de substances liquides ou de glace.
- > Ne plongez jamais le dispositif de réfrigération dans l'eau.
- > Tenez le dispositif de réfrigération et les câbles à l'abri de la chaleur et de l'humidité.
- > Le dispositif de réfrigération ne doit pas être exposé à la pluie.

## 4 Contenu de la livraison



Élément dans  fig. 1 à la page 38	Quantité	Description
1	1	Glacière
2	1	Câble de raccordement au courant continu
3	1	Câble de raccordement au courant alternatif

## 5 Accessoires

Disponibles en accessoire (non compris dans les pièces fournies) :

Désignation	N° d'article	Modèle
<b>Cache de protection</b>		
PC25	9620012808	CFX5 25
PC35	9620012806	CFX5 35
PC45	9620012805	CFX5 45

Désignation	N° d'article	Modèle
PC55	9620012810	CFX5 55IM
PC75	9620012811	CFX5 75DZ
PC95	9620012807	CFX5 95DZ
<b>Glissière pour réfrigérateur</b>		
CFX5 SLD3545	9610000651	CFX5 35
		CFX5 45
CFX5 SLD55	9610000652	CFX5 55IM
CFX5 SLD75	9610000653	CFX5 75DZ
CFX5 SLD95100	9610000655	CFX5 95DZ
Application Mobile Cooling	–	convient à tous les modèles
Kit d'attaches - US	9600017007	convient à tous les modèles
Kit de sangles - US	9600017296	convient à tous les modèles
Kit de câblage HWK-DC	9600024894	convient à tous les modèles

Notez qu'il se peut que l'application ne soit pas disponible dans votre pays.

## 6 Usage conforme

Le dispositif de réfrigération est conçu pour la réfrigération d'aliments. Le dispositif de réfrigération peut également être utilisé dans des véhicules.

Le dispositif de réfrigération est conçu pour fonctionner sur l'alimentation électrique CC embarquée d'un véhicule ou d'un bateau, sur une batterie auxiliaire CC ou sur une alimentation électrique CA.

Le dispositif de réfrigération est conçu pour le camping et autres activités de loisirs similaires.

Le dispositif de réfrigération est destiné à être utilisé dans des applications telles que :

- les réfectoires destinés au personnel des magasins, des bureaux et autres environnements de travail
- les maisons d'hôtes
- les hôtels, motels et autres environnements de type résidentiel
- les gîtes et environnements similaires
- la restauration et les applications similaires non liées à la vente au détail

Ce produit convient uniquement à l'usage et à l'application prévus, conformément au présent manuel d'instructions.

Ce manuel fournit les informations nécessaires à l'installation et/ou à l'utilisation correcte du produit. Une installation, une utilisation ou un entretien inappropriés entraînera des performances insatisfaisantes et une éventuelle défaillance.

Le fabricant décline toute responsabilité en cas de blessure ou de dommage résultant :

- d'une installation, d'un montage ou d'un raccordement incorrect, y compris d'une surtension
- d'un entretien inadapté ou de l'utilisation de pièces de rechange autres que les pièces de rechange d'origine fournies par le fabricant
- de modifications apportées au produit sans autorisation explicite du fabricant
- d'usages différents de ceux décrits dans ce manuel

Dometic se réserve le droit de modifier l'apparence et les spécifications produit.

## 7 Description technique

La réfrigération est assurée par un circuit de refroidissement à compresseur qui nécessite peu d'entretien. L'isolation forte et le puissant compresseur assurent un refroidissement particulièrement rapide.

Le dispositif de réfrigération convient pour une utilisation mobile.

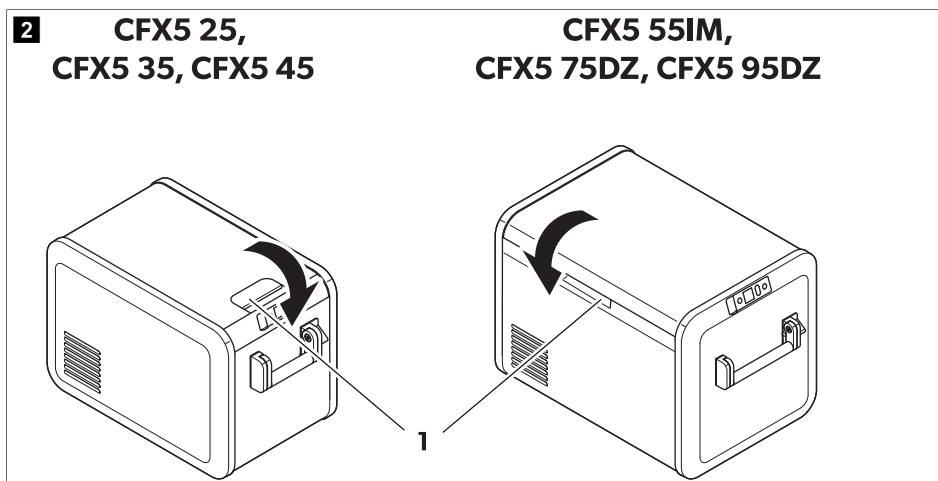
Le dispositif de réfrigération supporte pendant une courte durée d'être incliné à 30°, par exemple sur les bateaux.


### 7.1 Étendue des fonctions

- Bloc d'alimentation avec raccordement prioritaire pour raccordement sur une alimentation électrique CA
- Le protecteur de batterie à trois niveaux pour protéger la batterie du véhicule (s'éteint automatiquement si la tension de la batterie est faible)
- Écran avec affichage de la température en °C et °F
- Réglage de la température : Par incréments de 1 °C (1 °F)
- Fonctions Bluetooth et WiFi intégrées contrôlables à l'aide d'une application
- Poignées rabattables
- Chargeur USB pour appareils portables tels que les téléphones mobiles
- Élément panier amovible
- Décapsuleur intégré
- **CFX5 55IM uniquement** : Machine à glaçons

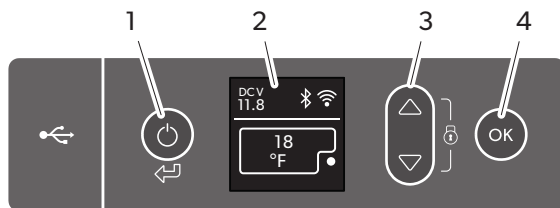
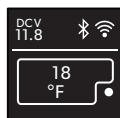
### 7.2 Éléments de commande et d'affichage

Loquets du couvercle (  fig. 2 à la page 40)

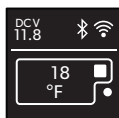


Panneau de commande (  fig. 3 à la page 41)

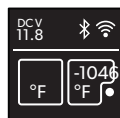
3

CFX5 25, CFX5 35,  
CFX5 45

CFX5 55 IM

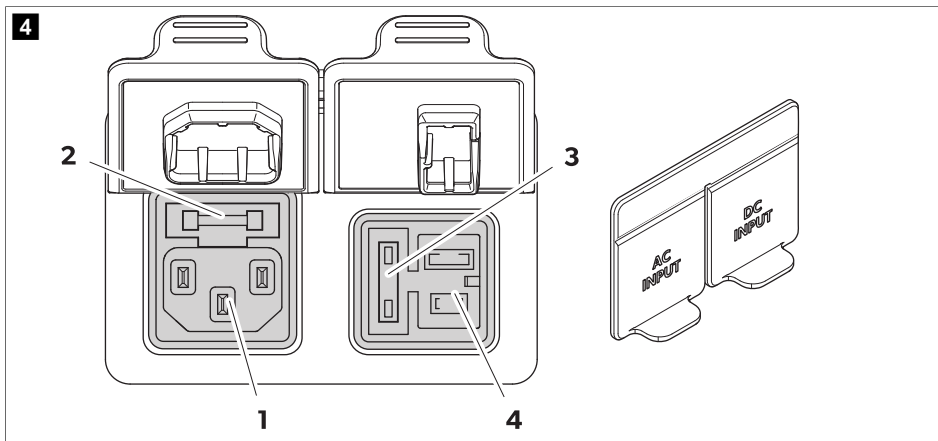


CFX5 75DZ, CFX5 95DZ



Élément	Description	Explication
1		Allume le dispositif de réfrigération en appuyant brièvement sur la touche Éteint le dispositif de réfrigération en appuyant trois secondes sur la touche Revient au menu précédent
2	Écran	<b>AC</b> : réseau alternatif connecté <b>DCV</b> : réseau continu connecté ⌘ : Bluetooth activé 📶 : WiFi activé 🔒 : écran verrouillé ● : compresseur en marche ■ : machine à glaçon en marche (CFX5 55IM uniquement)
3		Appuyez sur  pour naviguer vers le haut ou pour augmenter la valeur sélectionnée. Appuyez sur  pour naviguer vers le bas ou pour diminuer la valeur sélectionnée. Appuyez sur  et  simultanément pendant 3 s pour verrouiller ou déverrouiller l'écran.
4		Appuyez pour sélectionner un menu ou pour enregistrer la valeur sélectionnée.

Prises de raccordement ( fig. 4 à la page 42)



Élément	Description
1	Prise de raccordement de l'alimentation en tension alternative
2	Porte-fusible CA
3	Couvercle de fusible CC
4	Prise de raccordement de l'alimentation en tension continue

## 8 Avant la première utilisation



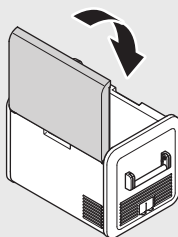
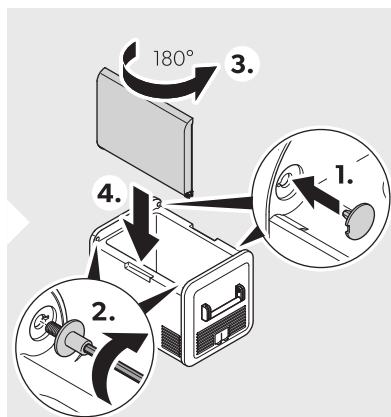
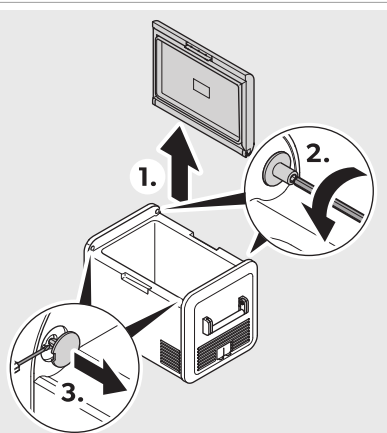
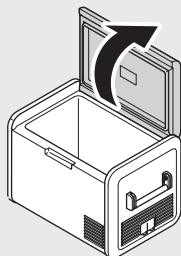
**REMARQUE** Pour des raisons d'hygiène, nettoyez l'intérieur et l'extérieur du dispositif de réfrigération à l'aide d'un chiffon humide avant de l'allumer pour la première fois (voir Nettoyage et entretien à la page 58).

## Inversion du sens d'ouverture du couvercle

Pour inverser l'ouverture du couvercle, procédez comme indiqué :

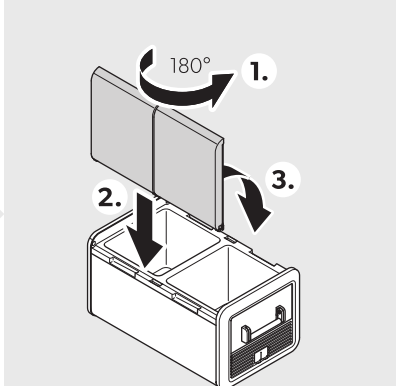
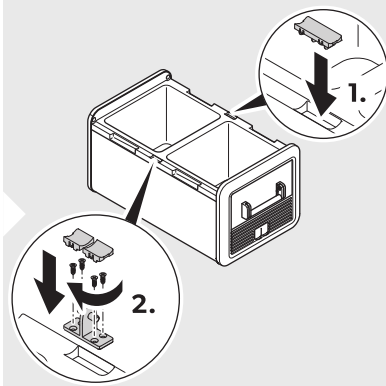
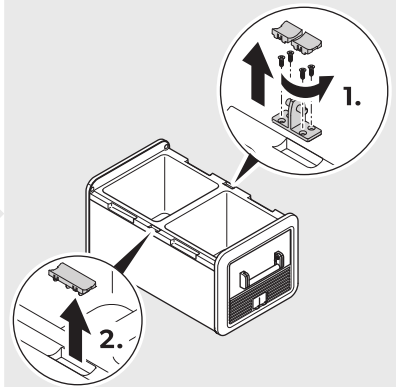
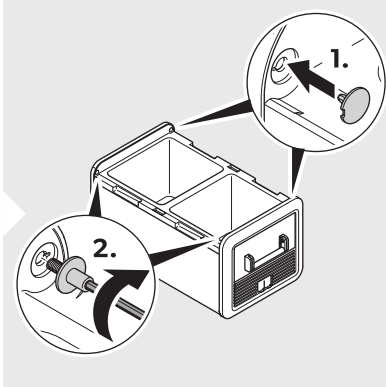
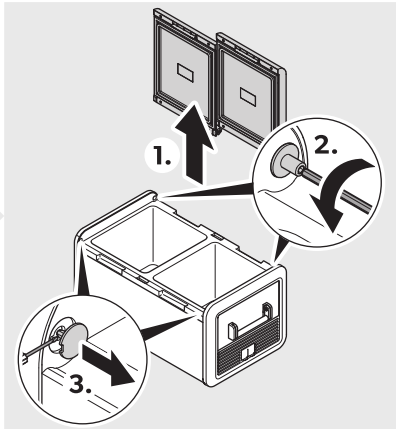
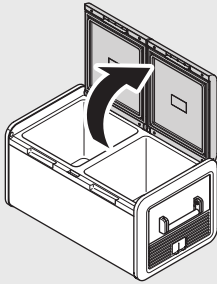
> **CFX5 55IM**

**5**



## &gt; CFX575DZ, CFX5 95DZ

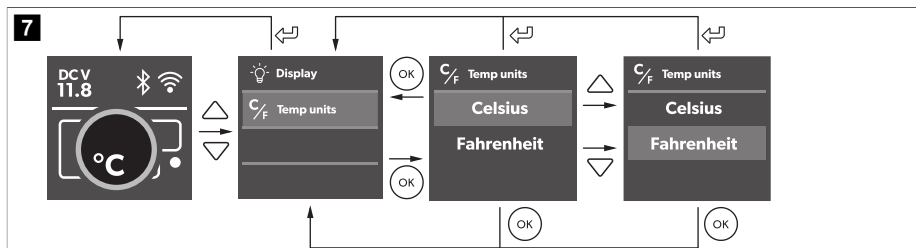
6





## Sélection des unités de température

> Procédez comme indiqué :



## 9 Utilisation

### 9.1 Économie d'énergie

- > Choisissez un emplacement bien aéré et à l'abri du soleil.
- > Laissez refroidir les aliments chauds avant de les placer dans le dispositif de réfrigération.
- > N'ouvrez pas le dispositif de réfrigération plus souvent que nécessaire.
- > Ne laissez pas le dispositif de réfrigération ouvert plus longtemps que nécessaire.
- > Si le dispositif de réfrigération est équipé d'un bac : Pour une consommation d'énergie optimale, positionnez le bac conformément à sa position à la livraison.
- > Vérifiez régulièrement que le joint de la porte est correctement positionné.
- > Évitez les basses températures inutiles.

### 9.2 Raccordement du dispositif de réfrigération



#### AVERTISSEMENT ! Risque d'incendie

Ne connectez pas plus d'une source d'alimentation au produit à la fois. Le système électrique peut être endommagé et provoquer un incendie.

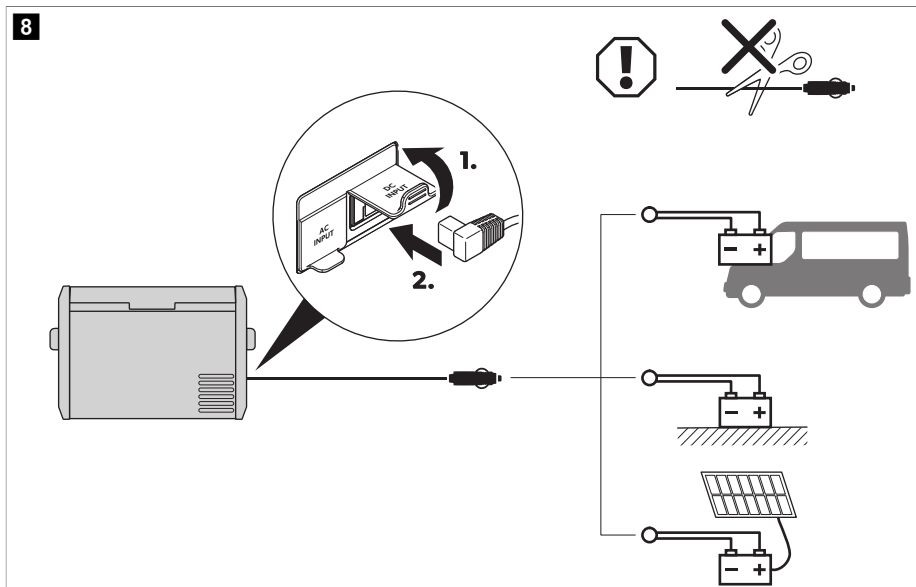
#### Connecter à une source CC



#### AVIS ! Risque d'endommagement

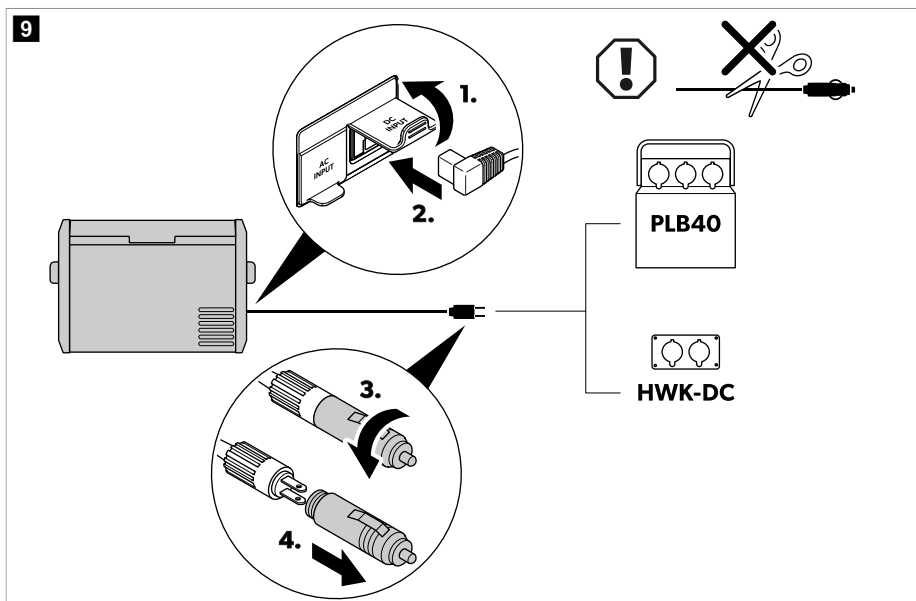
Pour la protection de l'appareil, le câble CC fourni comprend un fusible à l'intérieur de la fiche. Ne retirez **pas** la fiche CC protégée par fusible. Utilisez uniquement le câble de raccordement fourni à la livraison.

> Procédez comme indiqué :



### Connexion à la batterie portable PLB40 ou au kit de câblage HWK-DC (accessoires)

> Procédez comme indiqué :



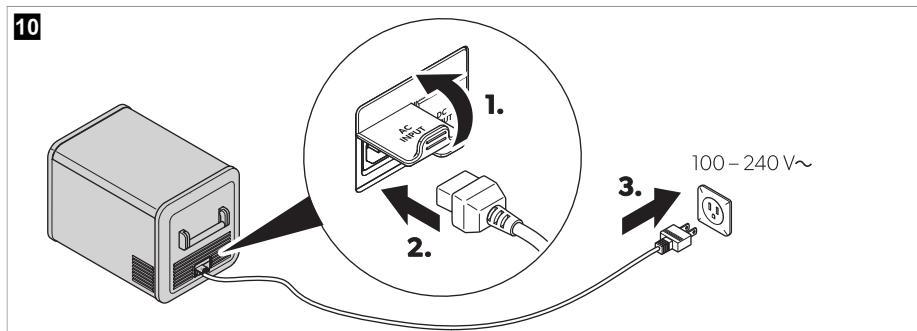
## Raccordement à un réseau alternatif



### **DANGER ! Risque d'électrocution**

- > Ne vous approchez pas de fiches ou de commutateurs lorsque vous avez les mains mouillées ou les pieds dans l'eau.
- > Si nécessaire, veuillez vous renseigner auprès d'un spécialiste.

- > Procédez comme indiqué :



## 9.3 Utilisation du protecteur de batterie

Le dispositif de réfrigération est équipé d'un moniteur de batterie qui fournit une protection de batterie en 3 étapes. La protection de batterie empêche une décharge excessive lorsque le dispositif de réfrigération est connecté à une batterie de démarrage de véhicule ou maximise l'utilisation d'une batterie d'alimentation.

Si le dispositif de réfrigération est mis en marche alors que l'allumage du véhicule est éteint, il s'arrête automatiquement dès que la tension d'alimentation descend en dessous d'une valeur réglable. Le dispositif de réfrigération se remet en marche dès que la batterie est rechargée et que la tension de rallumage est atteinte.



### **AVIS ! Risque d'endommagement**

En cas d'extinction par le protecteur de batterie, la batterie n'est plus complètement chargée. Évitez les démarrages répétés ou l'utilisation de consommateurs d'énergie sans phases de charge plus longues. Veillez à recharger la batterie.



**REMARQUE** Lorsque le dispositif de réfrigération est alimenté par la batterie de démarrage, réglez le protecteur de batterie sur le mode « HIGH ». Si le dispositif de réfrigération est raccordé à une batterie d'alimentation, le mode « LOW » suffit.

> Procédez comme indiqué :

**11**

**Low**

**Medium/High**

		Low	Medium	High
12V 	OFF	10.1 V	11.2 V	11.8 V
	ON	11.4 V	12.2 V	12.6 V
24V 	OFF	21.5 V	24.1 V	24.6 V
	ON	23.0 V	25.3 V	26.2 V

## 9.4 Utilisation du dispositif de réfrigération



### AVIS ! Risque de surchauffe

Garantissez en permanence une ventilation suffisante pour que la chaleur générée pendant le fonctionnement puisse se dissiper. Assurez-vous que les fentes d'aération ne sont pas recouvertes. Veillez à ce que l'appareil se trouve à distance suffisante des murs ou autres objets, de sorte que l'air puisse circuler.



### AVIS ! Risque d'endommagement dû à une température trop basse

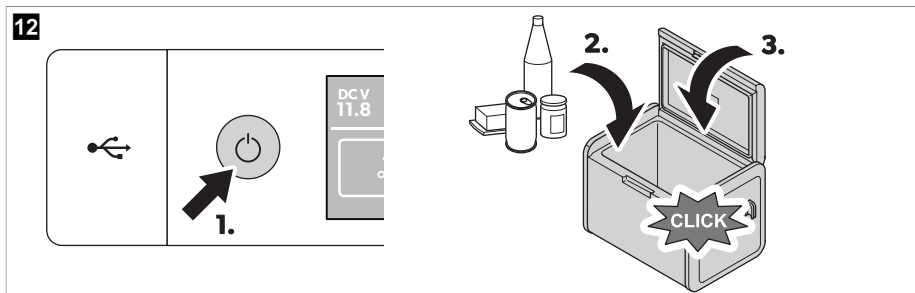
Veillez à ne déposer dans le dispositif réfrigération que des objets ou des aliments qui peuvent être réfrigérés à la température sélectionnée.



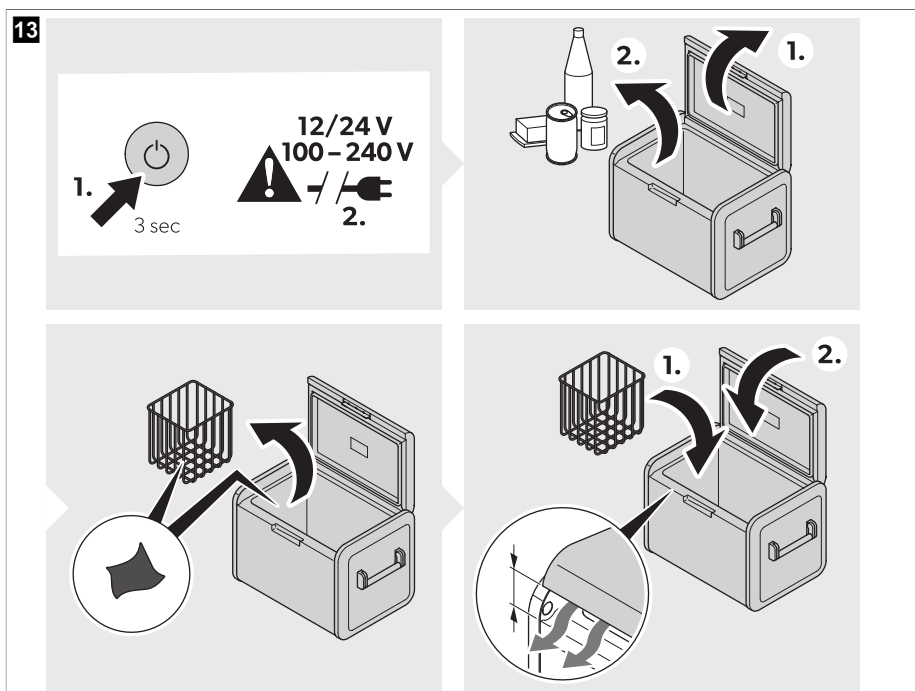
**REMARQUE** En cas d'utilisation avec batterie :

- Lorsque la tension est de  $< 8 \text{ V}$ , l'écran s'éteint automatiquement.
- Lorsque la tension est de  $\geq 8 \text{ V}$  et  $\leq 12 \text{ V}$ , l'écran peut afficher "ALERTE - Tension basse" en fonction du réglage du mode du protecteur de batterie.

> Mettre en marche le dispositif de réfrigération :

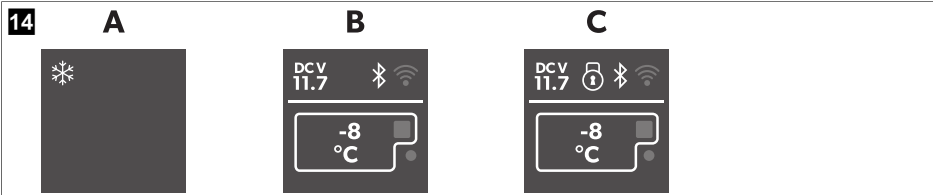


> Éteignez le dispositif de réfrigération :



## 9.5 Utilisation de l'écran

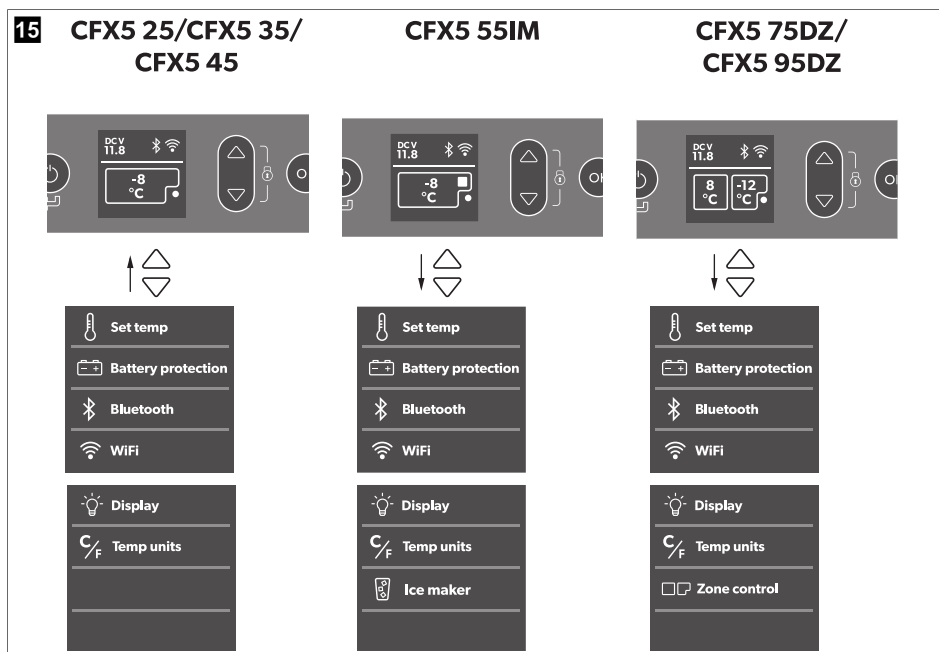
**Affichage des états :**



Élément	Description
---------	-------------

A	Veille
B	Inactif
C	Verrouillé

### Vue d'ensemble de l'écran :



### Navigation dans les menus

Le menu en surbrillance est sélectionné.

- > Appuyez sur pour naviguer vers le haut.
- > Appuyez sur pour naviguer vers le bas.

### Sélection d'un menu

- > Appuyez sur pour sélectionner le menu souhaité.

## Modification des réglages

La valeur ou le réglage en surbrillance est sélectionné.

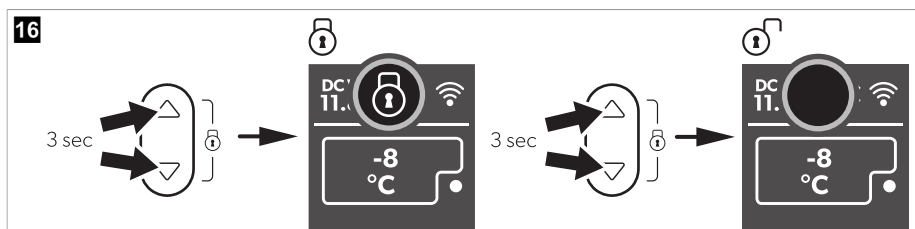
- > Appuyez sur  $\triangle$  pour augmenter la valeur sélectionnée ou pour sélectionner le réglage précédent.
- > Appuyez sur  $\nabla$  pour diminuer la valeur sélectionnée ou pour sélectionner le réglage suivant.

## Retour au menu précédent

- > Appuyez sur  $\leftarrow$  pour revenir au menu précédent sans enregistrer.

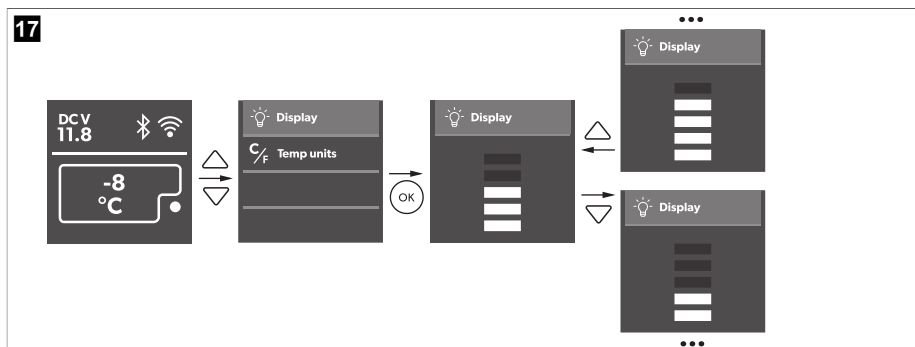
## 9.6 Verrouillage/déverrouillage de l'écran

- > Appuyez sur  $\triangle$  et  $\nabla$  simultanément pendant 3 s pour verrouiller ou déverrouiller l'écran.



## 9.7 Réglage de la luminosité de l'écran

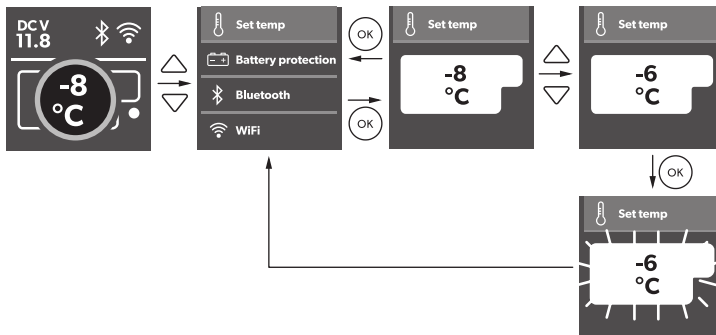
- > Procédez comme indiqué :



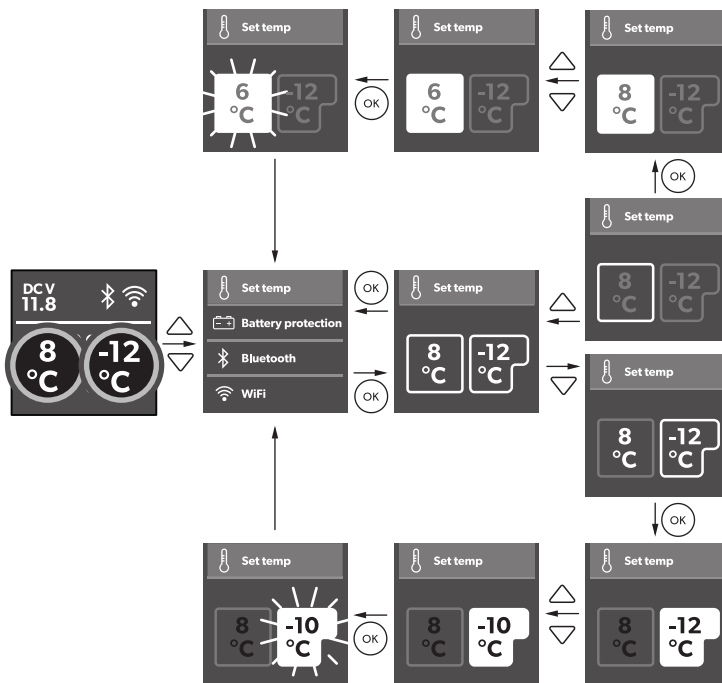
## 9.8 Réglage de la température

> Procédez comme indiqué :

### 18 CFX5 25/CFX5 35/CFX5 45/CFX5 55IM



### CFX5 75DZ/CFX5 95DZ

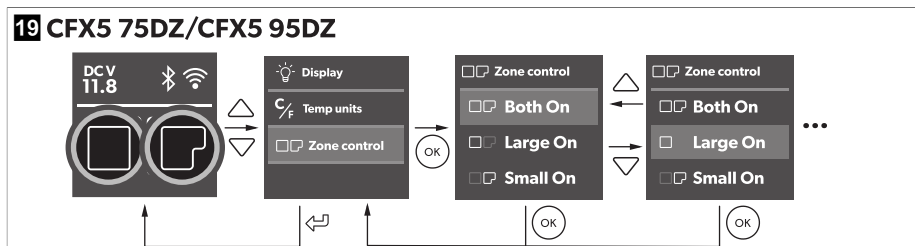




## 9.9 Mise hors tension ou sous tension d'un compartiment (CFX5 75DZ, CFX5 95DZ uniquement)

Vous pouvez activer chaque zone individuellement ou les deux.

> Procédez comme indiqué :



## 9.10 Utilisation de la machine à glaçons (CFX5 55IM uniquement)

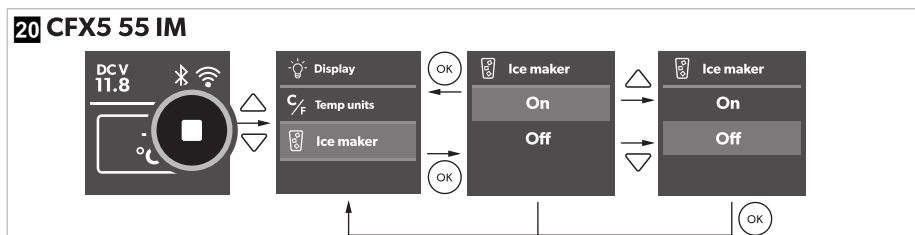


### REMARQUE



- > Indépendamment du réglage de la température du compartiment principal, la zone de la machine à glaçons est conçue pour la fabrication de glaçons si la machine à glaçons est en marche.
- > La consommation en énergie du dispositif de réfrigération augmente lorsque la machine à glaçons est en marche. C'est pourquoi il est recommandé d'éteindre la machine à glaçons si elle n'est pas utilisée.
- > La machine à glaçons est réglée sur OFF (arrêt) par défaut.

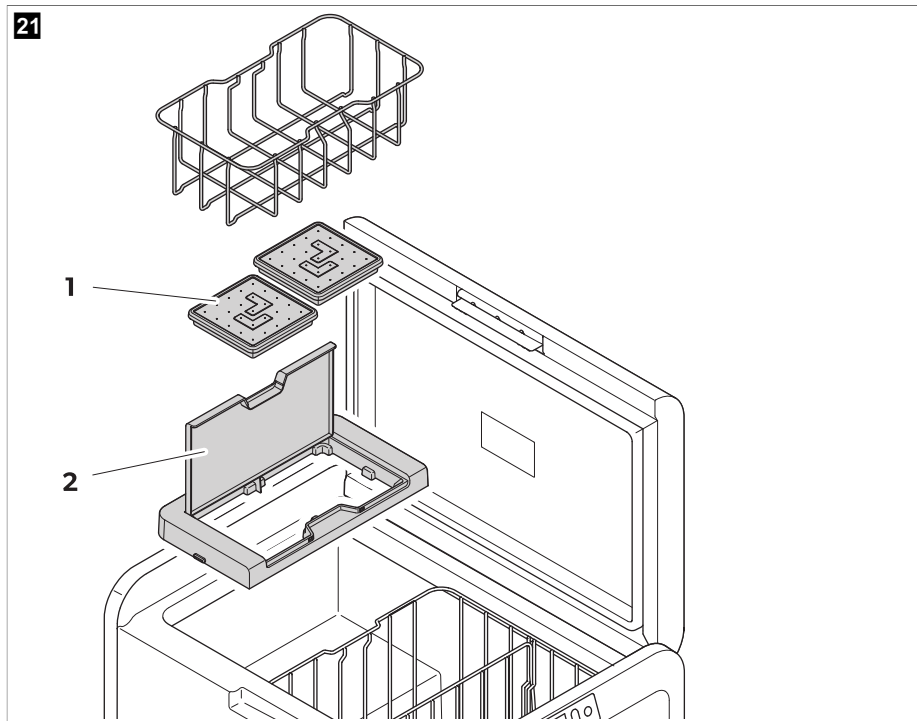
Conseils pour l'utilisation de la machine à glaçons

- La machine à glaçons produit rapidement des glaçons pendant un certain nombre d'heures après sa mise en marche, puis passe automatiquement en mode de maintenance pour réduire la consommation d'énergie. Si plusieurs lots de glaçons sont nécessaires aussi rapidement que possible, le fait d'éteindre et de rallumer la machine à glaçons permet de la remettre en mode de fabrication de glaçons rapide. Répétez au besoin.
  - Lorsque la machine à glaçons est en marche, les réglages de température de congélation basse dans le compartiment principal peuvent ne pas être maintenus si la température ambiante est élevée.
- > Pour allumer ou éteindre la machine à glaçons, procédez comme suit :



### Remplissage des bacs à glaçons d'eau

- > Retirez les bacs à glaçons (  fig. 21 à la page 54 1) du boîtier de la machine à glaçons (  fig. 21 à la page 54 2).



### Retrait des glaçons



#### REMARQUE

Le retrait peut nécessiter d'exercer une force supplémentaire en utilisant les deux mains en présence d'une humidité élevée ayant entraîné la formation de glace sous les bacs à glaçons.

1. Ouvrez le couvercle du boîtier de la machine à glaçons et le soulever sous l'avant des bacs à glaçons.
2. Retirez les caches des bacs à glaçons et vrillez les bacs pour faire sortir les glaçons.

### Retrait du boîtier de la machine à glaçons

Le boîtier de la machine à glaçons peut être retiré pour le nettoyage ou, lorsqu'il n'est pas utilisé, pour augmenter l'espace utilisable à l'intérieur de le dispositif de réfrigération.

- > Soulevez le boîtier d'un côté jusqu'à ce que le taquet se détache, puis retirez-le.
- > Effectuez la procédure inverse pour le remontage, en appuyant sur les taquets pour les réenclencher.

## Nettoyage et séchage de la machine à glaçons

- > Lorsqu'ils ne sont pas utilisés, nettoyez et séchez les bacs à glaçons et l'intérieur du boîtier de la machine à glaçons pour éviter la formation de moisissures.
- > Après une longue période de non-utilisation, nettoyez l'intérieur des bacs à glaçons avec du produit vaisselle et rincez à l'eau claire avant l'utilisation.

## 9.11 Via Bluetooth et Wi-Fi

### Télécharger l'application Mobile Cooling

Le dispositif de réfrigération peut être surveillé et piloté via Bluetooth ou WiFi à l'aide d'une application que vous pouvez installer sur un appareil compatible.



Télécharger l'application Mobile Cooling.

### Réglage du signal Bluetooth et connexion à l'application

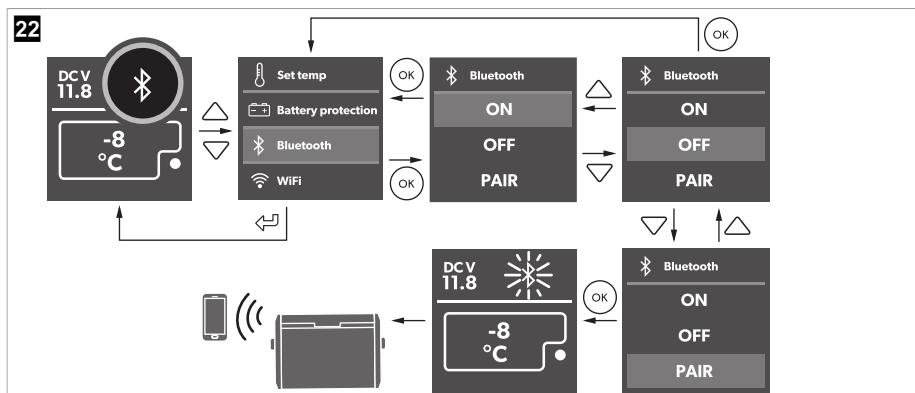
Le dispositif de réfrigération peut être surveillé et piloté via Bluetooth. Pour ce faire, coupez le dispositif de refroidissement avec votre appareil Bluetooth.



#### REMARQUE

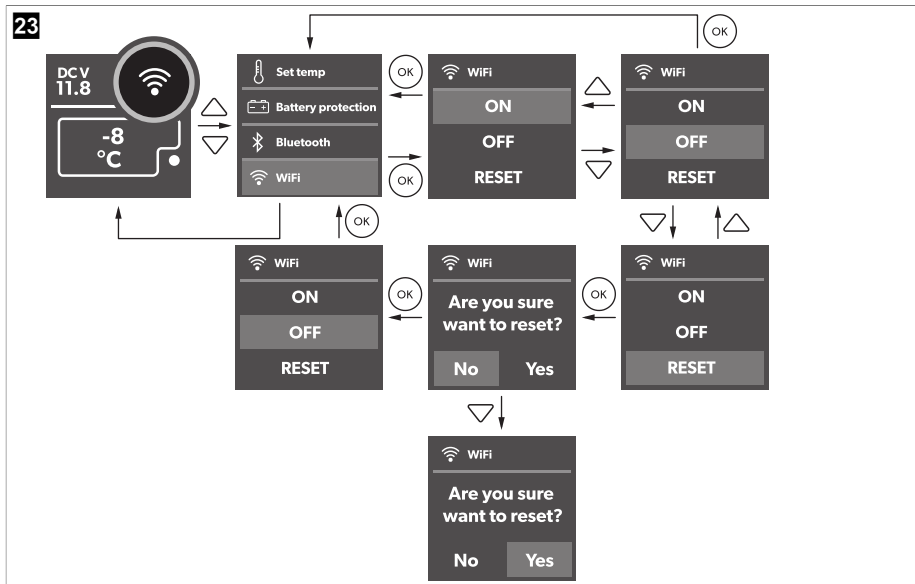
- Le couplage doit être effectué dans l'application Mobile Cooling, et non dans les paramètres de l'appareil.
- Aucun mot de passe n'est requis pour la connexion Bluetooth.

- > Procédez comme indiqué :



## Régler le signal Wi-Fi

> Procédez comme indiqué :



### Utiliser Bluetooth et Wi-Fi

- > Suivez les instructions de l'application Mobile Cooling.
- ✓ La LED Bluetooth ou Wi-Fi s'allume lorsque la glacière est connectée.

## 9.12 Restauration des réglages d'usine

La fonction de réinitialisation permet de rétablir les réglages d'usine de tous les menus d'affichage et des champs de l'application.

> Procédez comme indiqué :



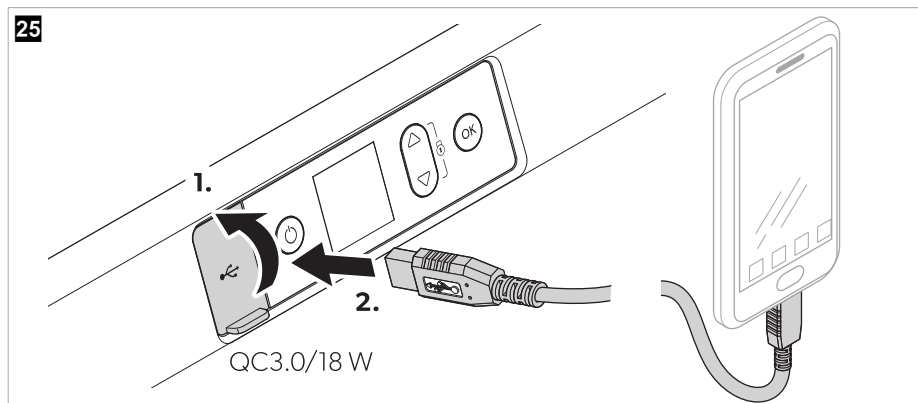
## 9.13 Port USB pour l'alimentation électrique

Vous pouvez utiliser le port USB pour le chargement de petits appareils (par ex. un téléphone mobile ou un lecteur MP3).



**REMARQUE** Assurez-vous que le petit appareil branché sur le port USB est utilisable avec 5 V/2,5 A.

> Procédez comme indiqué :



## 9.14 Dégivrage du dispositif de réfrigération

L'humidité de l'air peut se condenser sous forme de givre au niveau de l'évaporateur ou à l'intérieur du dispositif de réfrigération. Cela diminue la puissance frigorifique.



### AVIS ! Risque d'endommagement

N'utilisez jamais d'outils durs ou pointus pour enlever la glace ou pour décoincer les objets pris dans la glace.

Procédez de la manière suivante pour dégivrer le dispositif de réfrigération :


1. Retirez le contenu du dispositif de réfrigération.
2. Au besoin, rangez le contenu dans un autre dispositif de réfrigération pour le garder au frais.
3. Mettez le dispositif de réfrigération à l'arrêt.
4. Laissez le couvercle ouvert.
5. Essuyez l'eau de dégivrage.

## 9.15 Remplacement du fusible CA




### DANGER ! Risque d'électrocution

Débranchez l'alimentation électrique et le câble de raccordement avant de remplacer le fusible de l'appareil.

1. Débranchez l'alimentation électrique de l'appareil.
2. Retirez le câble de raccordement.
3. Retirez le porte-fusible (  fig. 4 à la page 42 2) en faisant levier avec un tournevis.

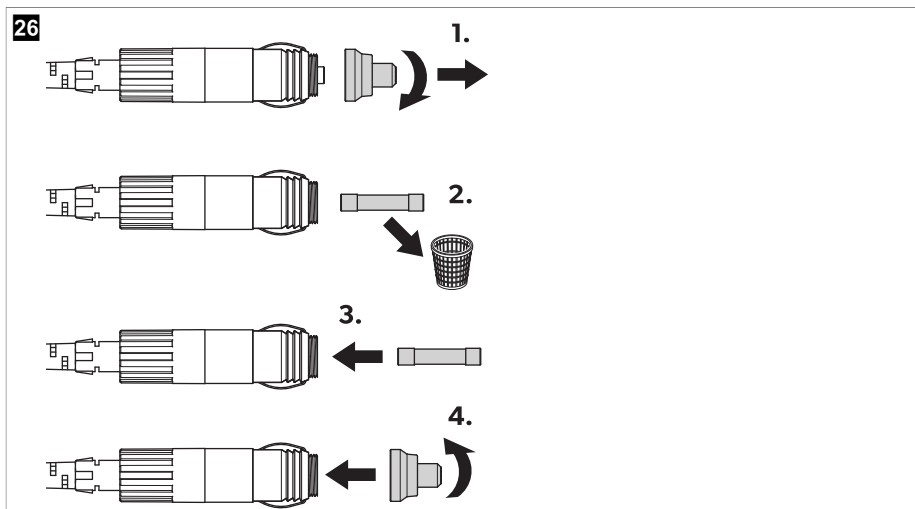
4. Remplacez le fusible en verre défectueux par un nouveau fusible du même type et de même caractéristique (rapide, 4 A, 250 V).
5. Remplacez le porte-fusible dans le boîtier, en appuyant dessus.
6. Raccordez de nouveau l'alimentation électrique de l'appareil.

### 9.16 Remplacement du fusible CC

1. Débranchez l'alimentation électrique du dispositif de réfrigération.
2. Retirez le couvercle du fusible (  fig. 4 à la page 42 3) en faisant levier avec un tournevis.
3. Retournez le couvercle du fusible et utilisez un crochet pour retirer le fusible enfilable défectueux.
4. Insérez un nouveau fusible du même type et de même caractéristique.
  - CFX5 25, CFX5 35, CFX5 45 : 10 A
  - CFX5 75DZ, CFX5 95DZ : 15 A
5. Remettez le couvercle du fusible en place.
6. Reconnectez l'alimentation électrique du dispositif de réfrigération.

### 9.17 Remplacement du fusible de la fiche CC

- > Remplacez le fusible défectueux par un fusible neuf de même type et de même calibre tel qu'illustré.



- CFX5 25, CFX5 35, CFX5 45 : 10 A
- CFX5 75DZ, CFX5 95DZ : 15 A

## 10 Nettoyage et entretien



### ATTENTION ! Risque d'électrocution

Assurez-vous que le dispositif de réfrigération est débranché de l'alimentation électrique avant toute tâche de nettoyage ou de maintenance.



### AVIS ! Risque d'endommagement

- > Ne nettoyez jamais le dispositif de réfrigération à l'eau courante et ne le plongez pas non plus dans l'eau.
  - > N'utilisez pas de produits abrasifs ou d'objets durs pendant le nettoyage.
- > Nettoyez l'appareil à l'intérieur et à l'extérieur de temps en temps avec un chiffon humide.
- > Assurez-vous que les ouvertures d'aération et de ventilation du dispositif de réfrigération ne sont pas obstruées par de la saleté ou de la poussière pour que la chaleur générée par le fonctionnement puisse s'évacuer et éviter d'endommager le dispositif de réfrigération.

## 11 Dépannage

Panne	Cause possible	Solution proposée
L'appareil ne fonctionne pas (mode CC, allumage en marche).	Aucune tension n'a été détectée dans la prise de sortie CC	> Dans la plupart des véhicules, l'allumage doit être allumé avant que l'alimentation soit fournie à la prise CC.
	La prise de courant continu est sale. Ceci entraîne un mauvais contact électrique.	> Si la fiche de l'appareil devient très chaude lorsqu'elle est branchée sur la prise CC, la prise CC doit être nettoyée ou la fiche n'est pas montée correctement.
	Le fusible de sécurité de la fiche CC a sauté.	> Remplacez le fusible de la fiche CC, voir Remplacement du fusible de la fiche CC à la page 58.
	Le fusible CC de l'appareil a sauté.	> Remplacez le fusible de l'appareil CC, voir Remplacement du fusible CC à la page 58.
	Le fusible du véhicule a grillé.	> Remplacez le fusible de la prise CC du véhicule. Veuillez vous référer au manuel d'utilisation de votre véhicule.
L'appareil ne fonctionne pas (mode CA).	Aucune tension n'a été détectée dans la prise de tension alternative.	> Essayez une autre prise.
	Le fusible CA de l'appareil a sauté.	> Remplacez le fusible de l'appareil CA, voir Remplacement du fusible CA à la page 57.
	L'adaptateur CA intégré est défectueux.	La réparation doit être effectuée uniquement par un service après-vente agréé.
L'écran ne répond pas lors de la saisie avec les touches.	L'écran est verrouillé.	> Déverrouillez l'écran, voir Verrouillage/déverrouillage de l'écran à la page 51.
L'application ne peut pas piloter l'appareil.	Le Bluetooth ou le Wi-Fi n'est pas connecté.	> Se connecter au Bluetooth (voir Réglage du signal Bluetooth et connexion à l'application à la page 55) ou au Wi-Fi (voir Régler le signal Wi-Fi à la page 56).
L'écran affiche un message d'alerte ou un code d'avertissement.	-	> Voir les tableaux suivants.

## 11.1 Messages d'alerte

Exemple :



Message d'alerte	Description	Cause possible	Solution proposée
!ALERTE - Couverture ouvert > 3 min	Couverture ouvert plus de 3 min	Couverture pas complètement verrouillé	Vérifiez que le couvercle est bien verrouillé
		Panne interne	Inspection par un service après-vente agréé requise
!ALERTE - Tension basse	L'appareil a cessé de fonctionner en courant continu car la tension est trop basse	Tension d'alimentation insuffisante	Vérifiez la chute de tension de la batterie à la prise de courant et augmentez l'épaisseur des câbles si nécessaire
		Tension de batterie trop faible	Contrôlez la batterie et chargez-la si nécessaire
		Le réglage de la protection de batterie est trop élevé	Sélectionnez un réglage de protection de batterie plus faible.
		L'appareil a cessé de fonctionner sur courant continu en raison d'une tension anormalement élevée > 31,5 V (événement improbable – pour la protection électronique uniquement – utilise le même message d'alerte que la tension basse ci-dessus)	Spécification de tension d'alimentation CC incorrecte
		Tension d'alimentation erronée	Vérifiez l'alimentation CC et réparez-la ou remplacez-la si elle est défectueuse.
		Panne interne	Inspection par un service après-vente agréé requise

## 11.2 Codes d'avertissement

Exemple :  fig. 27 à la page 60

Code d'avertissement	Panne	Cause possible	Solution proposée
!AVERTISSEMENT 01	NTC circuit ouvert SZ & DZ GRAND	Panne interne	Inspection par un service après-vente agréé requise
!AVERTISSEMENT 02	NTC court-circuit SZ & DZ GRAND		
!AVERTISSEMENT 11	NTC circuit ouvert DZ PETIT		
!AVERTISSEMENT 12	NTC court-circuit DZ PETIT		



Code d'avertissement	Panne	Cause possible	Solution proposée
!AVERTISSEMENT 03/43	Erreur de communication		Éteignez l'appareil pendant au moins 1 min, puis redémarrez. Si le problème persiste, une inspection par un service après-vente agréé est nécessaire.
!AVERTISSEMENT 09	Vanne DZ ou vanne de la machine à glaçons défectueuse		
!AVERTISSEMENT 32	Surintensité du ventilateur	Panne interne	Éteignez l'appareil pendant au moins 5 min, puis redémarrez. Si le problème persiste, une inspection par un service après-vente agréé est nécessaire.
!AVERTISSEMENT 33	Échec du démarrage du compresseur		
!AVERTISSEMENT 34	Vitesse du compresseur basse	<ul style="list-style-type: none"> <li>• Température ambiante élevée</li> <li>• Ouverture d'aération bloquée ou espace insuffisant</li> <li>• Panne interne</li> </ul>	<ul style="list-style-type: none"> <li>• Éteignez l'appareil pendant au moins 30 min, ou déplacez-le vers un endroit plus frais, puis redémarrez.</li> <li>• Dégagez les ouvertures</li> <li>• Inspection par un service après-vente agréé requise</li> </ul>
!AVERTISSEMENT 35	Surchauffe du contrôleur		

## 12 Garantie

Consultez les sections ci-dessous pour de plus amples informations relatives à la garantie et l'assistance dans le cadre de la garantie aux États-Unis, au Canada et dans toutes les autres régions.

### États-Unis et Canada

GARANTIE LIMITÉE DISPONIBLE SUR LA PAGE

[DOMETIC.COM/EN-US/TERMS-AND-CONDITIONS-CONSUMER/WARRANTY](http://DOMETIC.COM/EN-US/TERMS-AND-CONDITIONS-CONSUMER/WARRANTY). POUR TOUTE QUESTION OU POUR OBTENIR UNE COPIE GRATUITE DE LA GARANTIE LIMITÉE, CONTACTEZ :

DOMETIC CORPORATION  
 CUSTOMER SUPPORT CENTER  
 5155 VERDANT DRIVE  
 ELKHART, INDIANA 46516  
 1-800-544-4881

### Toutes les autres régions

Pour toutes réparations ou autres prestations de garantie, veuillez joindre à l'appareil les documents suivants :

- une copie de la facture avec la date d'achat
- un motif de réclamation ou une description du dysfonctionnement

Notez que toute réparation effectuée par une personne non agréée peut présenter un risque de sécurité et annuler la garantie.

## 13 Mise au rebut



Recyclage des emballages : Dans la mesure du possible, veuillez éliminer les emballages dans les conteneurs de déchets recyclables prévus à cet effet.



**AVERTISSEMENT ! Risque d'enfermement d'enfant**

Avant de mettre au rebut votre dispositif de réfrigération usagé, démontez le couvercle. Laissez les paniers en place afin que les enfants ne puissent pas entrer facilement dans l'appareil.



Recyclage des produits contenant des piles non remplaçables, des batteries ou des sources lumineuses rechargeables :

- Mettez le produit au rebut conformément à toutes les réglementations en vigueur.
- Le produit peut être mis au rebut gratuitement.

## 14 Caractéristiques techniques



**REMARQUE** La température minimale indiquée dans "Puissance de refroidissement" peut être atteinte si la température ambiante est supérieure à 32 °C (89,6 °F).



Contrôle/certificats :

Respectez les consignes d'utilisation EPA.

	<b>CFX5 25</b>
Tension de raccordement	12 V <sup>===</sup> / 24 V <sup>===</sup> 100 V <sup>~</sup> ... 240 V <sup>~</sup>
Courant nominal	12 V <sup>===</sup> : 7,2 A 24 V <sup>===</sup> : 3,2 A 100 V <sup>~</sup> : 0,85 A 240 V <sup>~</sup> : 0,36 A
Puissance de refroidissement	20 °C (68 °F) ... - 22 °C (7,6 °F)
Classe climatique	N, T
Volume	25 L (6,61 gal)
Température ambiante	16 °C (60,8 °F) ... 43 °C (109,4 °F)
Réfrigérant	R1234yf
Quantité de réfrigérant	21 g (0,7 oz)
Plage de fréquences	WiFi : 2400 MHz ... 2483,5 MHz Bluetooth/BLE : 2400 MHz ... 2483,5 MHz
Bande de fréquences (WiFi)	2,4 GHz
Puissance de sortie RF	WiFi : 19,91 dBm (802.11b), 19,91 dBm (802.11g), 19,91 dBm (802.11n), Bluetooth : 11,23 dBm Bluetooth LE : 11,23 dBm

	<b>CFX5 25</b>
Dimensions L x P x H (poignées comprises)	342 mm (13,46 in) × 569 mm (22,40 in) × 420 mm (16,54 in)
Poids	15,5 kg (34,2 lb)

	<b>CFX5 35</b>
Tension de raccordement	12 V $\equiv$ / 24 V $\equiv$ 100 V $\sim$ ... 240 V $\sim$
Courant nominal	12 V $\equiv$ : 7,6 A 24 V $\equiv$ : 3,4 A 100 V $\sim$ : 0,9 A 240 V $\sim$ : 0,38 A
Puissance de refroidissement	20 °C (68 °F) ... - 22 °C (7,6 °F)
Classe climatique	N, T
Volume	36 L (9,51 gal)
Température ambiante	16 °C (60,8 °F) ... 43 °C (109,4 °F)
Réfrigérant	R1234yf
Quantité de réfrigérant	30 g (1,1 oz)
Plage de fréquences	WiFi : 2400 MHz ... 2483,5 MHz Bluetooth/BLE : 2400 MHz ... 2483,5 MHz
Bande de fréquences (WiFi)	2,4 GHz
Puissance de sortie RF	WiFi : 19,91 dBm (802.11b), 19,91 dBm (802.11g), 19,91 dBm (802.11n), Bluetooth : 11,23 dBm Bluetooth LE : 11,23 dBm
Dimensions L x P x H (poignées comprises)	398 mm (15,67 in) × 694 mm (27,32 in) × 407 mm (16,02 in)
Poids	19 kg (41,9 lb)

	<b>CFX5 45</b>
Tension de raccordement	12 V $\equiv$ / 24 V $\equiv$ 100 V $\sim$ ... 240 V $\sim$
Courant nominal	12 V $\equiv$ : 8,1 A 24 V $\equiv$ : 3,7 A 100 V $\sim$ : 0,94 A 240 V $\sim$ : 0,39 A

	<b>CFX5 45</b>
Puissance de refroidissement	20 °C (68 °F) ... - 22 °C (7,6 °F)
Classe climatique	N, T
Volume	46 L (12,15 gal)
Température ambiante	16 °C (60,8 °F) ... 43 °C (109,4 °F)
Réfrigérant	R1234yf
Quantité de réfrigérant	33 g (1,2 oz)
Plage de fréquences	WiFi : 2400 MHz ... 2483,5 MHz Bluetooth/BLE : 2400 MHz ... 2483,5 MHz
Bande de fréquences (WiFi)	2,4 GHz
Puissance de sortie RF	WiFi : 19,91 dBm (802.11b), 19,91 dBm (802.11g), 19,91 dBm (802.11n), Bluetooth : 11,23 dBm Bluetooth LE : 11,23 dBm
Dimensions L x P x H (poignées comprises)	398 mm (15,67 in) × 694 mm (27,32 in) × 476 mm (18,74 in)
Poids	20,9 kg (46,1 lb)

	<b>CFX5 55IM</b>
Tension de raccordement	12 V $\overline{\text{---}}$ / 24 V $\overline{\text{---}}$ 100 V $\sim$ ... 240 V $\sim$
Courant nominal	12 V $\overline{\text{---}}$ : 8,5 A 24 V $\overline{\text{---}}$ : 4 A 100 V $\sim$ : 0,96 A 240 V $\sim$ : 0,4 A
Puissance de refroidissement	20 °C (68 °F) ... - 22 °C (7,6 °F)
Classe climatique	N, T
Volume total	55 L (14,53 gal)
Température ambiante	16 °C (60,8 °F) ... 43 °C (109,4 °F)
Réfrigérant	R1234yf
Quantité de réfrigérant	34 g (1,2 oz)
Plage de fréquences	WiFi : 2400 MHz ... 2483,5 MHz Bluetooth/BLE : 2400 MHz ... 2483,5 MHz
Bande de fréquences (WiFi)	2,4 GHz

	<b>CFX5 55IM</b>
Puissance de sortie RF	WiFi : 19,91 dBm (802.11b), 19,91 dBm (802.11g), 19,91 dBm (802.11n), Bluetooth : 11,23 dBm Bluetooth LE : 11,23 dBm
Dimensions L x P x H (poignées comprises)	720 mm (28,35 in) × 455 mm (17,91 in) × 480 mm (18,90 in)
Poids	24,3 kg (53,6 lb)

	<b>CFX5 75DZ</b>
Tension de raccordement	12 V $\overline{\text{---}}$ / 24 V $\overline{\text{---}}$ 100 V $\sim$ ... 240 V $\sim$
Courant nominal	12 V $\overline{\text{---}}$ : 9,7 A 24 V $\overline{\text{---}}$ : 4,4 A 100 V $\sim$ : 1,11 A 240 V $\sim$ : 0,47 A
Puissance de refroidissement	20 °C (68 °F) ... -22 °C (7,6 °F)
Classe climatique	N, T
Volume total	75 L (19,82 gal) (45 L (11,89 gal)/30 L (7,93 gal))
Température ambiante	16 °C (60,8 °F) ... 43 °C (109,4 °F)
Réfrigérant	R1234yf
Quantité de réfrigérant	46 g (1,6 oz)
Plage de fréquences	WiFi : 2400 MHz ... 2483,5 MHz Bluetooth/BLE : 2400 MHz ... 2483,5 MHz
Bande de fréquences (WiFi)	2,4 GHz
Puissance de sortie RF	WiFi : 19,91 dBm (802.11b), 19,91 dBm (802.11g), 19,91 dBm (802.11n), Bluetooth : 11,23 dBm Bluetooth LE : 11,23 dBm
Dimensions L x P x H (poignées comprises)	892 mm (35,12 in) × 495 mm (19,49 in) × 472 mm (18,58 in)
Poids	30,5 kg (67,3 lb)

	<b>CFX5 95DZ</b>
Tension de raccordement	12 V <sub>DC</sub> / 24 V <sub>DC</sub> 100 V <sub>AC</sub> ... 240 V <sub>AC</sub>
Courant nominal	12 V <sub>DC</sub> : 9,8 A 24 V <sub>DC</sub> : 4,5 A 100 V <sub>AC</sub> : 1,15 A 240 V <sub>AC</sub> : 0,48 A
Puissance de refroidissement	20 °C (68 °F) ... -22 °C (7,6 °F)
Classe climatique	N, T
Volume total	94 L (24,83 gal) (55 L (14,53 gal)/39 L (10,30 gal))
Température ambiante	16 °C (60,8 °F) ... 43 °C (109,4 °F)
Réfrigérant	R1234yf
Quantité de réfrigérant	54 g (1,9 oz)
Plage de fréquences	WiFi : 2400 MHz ... 2483,5 MHz Bluetooth/BLE : 2400 MHz ... 2483,5 MHz
Bande de fréquences (WiFi)	2,4 GHz
Puissance de sortie RF	WiFi : 19,91 dBm (802.11b), 19,91 dBm (802.11g), 19,91 dBm (802.11n), Bluetooth : 11,23 dBm Bluetooth LE : 11,23 dBm
Dimensions L x P x H (poignées comprises)	962 mm (37,87 in) × 530 mm (20,87 in) × 472 mm (18,58 in)
Poids	32,6 kg (71,9 lb)

## 15 Mentions légales

Cet appareil est conforme à la partie 15 des règles de la FCC. Le fonctionnement est soumis aux deux conditions suivantes :

- Cet appareil ne doit pas causer d'interférences nuisibles.
- Cet appareil doit accepter toutes les interférences, y compris celles susceptibles de causer un fonctionnement indésirable.

Les changements ou modifications qui ne sont pas expressément approuvés par la partie responsable de la conformité peuvent annuler le droit de l'utilisateur à utiliser l'équipement. Cet équipement a été testé et déclaré conforme aux limites d'un appareil numérique de classe B, conformément à la partie 15 des règles de la FCC. Ces limites sont destinées à fournir une protection raisonnable contre les interférences nuisibles dans une installation résidentielle. Cet équipement génère, utilise et peut émettre une énergie de radiofréquence et, s'il n'est pas installé et utilisé conformément aux instructions, causer des interférences nuisibles aux communications radio. Cependant, il n'y a aucune garantie que des interférences ne se produiront pas dans une installation particulière. Si cet équipement provoque des interférences nuisibles à la réception des signaux radio ou de télévision, ce qui peut être déterminé en

éteignant et en allumant l'équipement, l'utilisateur est encouragé à essayer de corriger ces interférences via une ou plusieurs des mesures suivantes :

- Réorienter ou déplacer l'antenne de réception.
- Augmenter la distance entre l'équipement et le récepteur.
- Connecter l'équipement à une prise sur un circuit différent de celui auquel le récepteur est connecté.
- Consulter le revendeur ou un technicien radio/TV expérimenté pour obtenir de l'aide.

Cet appareil est conforme aux normes RSS exemptes de licence d'Industrie Canada. Son utilisation est soumise aux deux conditions suivantes :

- Cet appareil ne doit pas causer d'interférences.
- Cet appareil doit supporter toutes les interférences, y compris celles susceptibles de causer un fonctionnement indésirable de l'appareil. Cet appareil numérique de classe B est conforme à la norme canadienne ICES-3(B)/NBM-3(B).

# Español

1	Notas importantes.....	68
2	Explicación de los símbolos.....	68
3	Indicaciones de seguridad.....	69
4	Volumen de entrega.....	71
5	Accesorios.....	71
6	Uso previsto.....	72
7	Descripción técnica.....	73
8	Antes del primer uso.....	75
9	Funcionamiento.....	78
10	Limpieza y mantenimiento.....	91
11	Solución de problemas.....	92
12	Garantía.....	94
13	Eliminación.....	95
14	Datos técnicos.....	95
15	Información legal.....	99

## 1 Notas importantes

Lea atentamente estas instrucciones y siga las indicaciones, directrices y advertencias incluidas en este manual para asegurarse de que instala, utiliza y mantiene correctamente el producto en todo momento. Estas instrucciones DEBEN conservarse junto con este producto.

Al utilizar el producto, usted confirma que ha leído cuidadosamente todas las instrucciones, directrices y advertencias, y que entiende y acepta cumplir los términos y condiciones aquí establecidos. Usted se compromete a utilizar este producto solo para el propósito y la aplicación previstos y de acuerdo con las instrucciones, directrices y advertencias establecidas en este manual del producto, así como de acuerdo con todas las leyes y reglamentos aplicables. La no lectura y observación de las instrucciones y advertencias aquí expuestas puede causarle lesiones a usted o a terceros, daños en el producto o daños en otras propiedades cercanas. Este manual del producto, incluyendo las instrucciones, directrices y advertencias, y la documentación relacionada, pueden estar sujetos a cambios y actualizaciones. Para obtener información actualizada sobre el producto, visite [documents.dometic.com](http://documents.dometic.com).

## 2 Explicación de los símbolos

Una palabra de advertencia señalará los mensajes de seguridad y de daño material, y también indicará el grado o nivel de gravedad del riesgo.



### ¡PELIGRO!

Indica una situación peligrosa que, de no evitarse, ocasionará la muerte o lesiones graves.



### ¡ADVERTENCIA!

Indica una situación peligrosa que, de no evitarse, puede ocasionar la muerte o lesiones graves.



### ¡ATENCIÓN!

Indica una situación peligrosa que, de no evitarse, puede ocasionar lesiones moderadas o leves.



### ¡AVISO!

Indica una situación peligrosa que, de no evitarse, puede provocar daños materiales.





**NOTA** Información complementaria para el manejo del producto.

### 3 Indicaciones de seguridad



#### **¡PELIGRO! Riesgo de electrocución**

- > En embarcaciones: Si el aparato funciona conectado a la red eléctrica, asegúrese de que el suministro de energía eléctrica esté protegido con un disyuntor de corriente residual (RCD), un interruptor diferencial (RCCB) o un interruptor de falla a tierra (GFCI). La instalación, especialmente en áreas potencialmente húmedas, debe efectuarse en conformidad con todas las normas de instalación aplicables.
- > No toque los cables sin aislamiento directamente con las manos. Esto rige especialmente en caso de funcionamiento con la red de corriente alterna.
- > Antes de la puesta en funcionamiento, asegúrese de que el cable de alimentación y la clavija de enchufe estén secos.



#### **¡ADVERTENCIA! Peligro de explosión**

No guarde en el aparato de refrigeración sustancias con peligro de explosión, tales como aerosoles con agente espumante inflamable.



#### **¡ADVERTENCIA! Riesgo de electrocución**

- > No ponga el aparato de refrigeración en funcionamiento si presenta desperfectos visibles.
- > Si el cable de alimentación este aparato de refrigeración está dañado, debe ser sustituido por un cable de alimentación o un conjunto adecuado proporcionado por el fabricante o por un socio de servicio autorizado para evitar riesgos de seguridad.
- > Este aparato de refrigeración solo debe ser reparado por personal cualificado. Las reparaciones inadecuadas pueden conllevar peligros considerables.
- > Enchufe el aparato en tomas que garanticen una conexión correcta, sobre todo cuando sea necesario poner a tierra el aparato.



#### **¡ADVERTENCIA! Peligro de incendio**

- > Cuando coloque la nevera en su ubicación, asegúrese de que el cable de suministro eléctrico no quede atrapado ni sufra daños.
- > No coloque varias tomas o suministros de corriente portátiles detrás del aparato.
- > En caso de daños en el circuito de refrigeración:
  - Mantenga cualquier llama o posible fuente de ignición alejadas de la nevera.
  - Ventile bien el recinto.
  - Apague la nevera.
- > Mantenga libres de obstáculos las aberturas de ventilación de la carcasa del aparato o de construcciones empotradas.
- > No emplee objetos mecánicos u otros medios para acelerar el proceso de descongelación, a no ser que el fabricante lo recomiende.
- > No abra o dañe el circuito de refrigerante.
- > No utilice ningún aparato eléctrico dentro del enfriador, a no ser que el aparato en cuestión haya sido recomendado para ello por el fabricante.



#### **¡ADVERTENCIA! Riesgo para la salud**

- > Este aparato de refrigeración no está diseñado para que lo usen personas (incluidos niños) con las capacidades físicas, sensoriales o mentales limitadas o sin la experiencia y los conocimientos

pertinentes, a menos que haya una persona responsable de la seguridad que supervise adecuadamente o explique detalladamente su uso.

- > Los menores de 3 a 8 años están autorizados a introducir y extraer productos en/de neveras.
- > Controle a los niños para asegurarse de que no jueguen con el aparato.
- > Los niños solo podrán realizar las tareas de limpieza y mantenimiento bajo vigilancia.



### ¡ATENCIÓN! Riesgo de electrocución

- > Antes de poner en funcionamiento el aparato de refrigeración, asegúrese de que el cable de alimentación y la clavija de enchufe estén secos.
- > Desconecte el aparato de refrigeración de la alimentación de corriente
  - antes de realizar cualquier tarea de limpieza o mantenimiento
  - después de cada uso



### ¡ATENCIÓN! Riesgo para la salud

- > Siga las siguientes instrucciones para evitar que los alimentos se contaminen:
  - Compruebe si la potencia de refrigeración del aparato cumple los requisitos de los alimentos que desea enfriar.
  - Los alimentos solo se pueden almacenar con su envase original o en recipientes adecuados.
  - Mantener la nevera abierta durante largos períodos de tiempo puede producir un incremento considerable de la temperatura en los compartimentos del aparato.
  - Limpie periódicamente las superficies que puedan estar en contacto con alimentos y los sistemas de desagüe accesibles.
- > Si la nevera se deja vacía durante un tiempo prolongado:
  - Apague la nevera.
  - Descongele la nevera.
  - Limpie y seque la nevera.
  - Deje la tapa abierta para evitar la proliferación de moho dentro de la nevera.

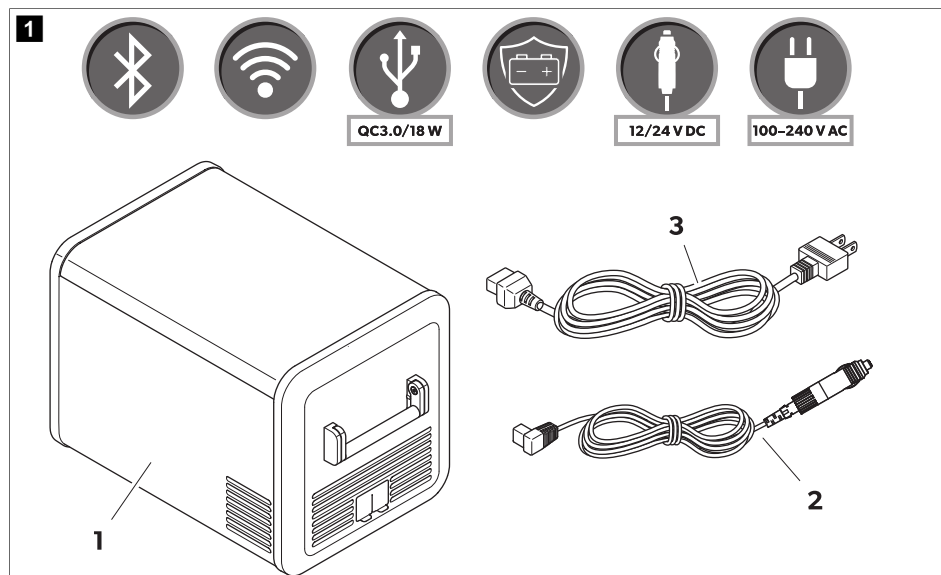



### ¡AVISO! Peligro de daños

- > Compruebe que el valor de tensión indicado en la etiqueta de tipo se corresponde con el del suministro de energía.
- > Conecte el aparato de refrigeración solo del siguiente modo:
  - Con el cable de conexión de corriente continua a la red de corriente continua
  - Con el cable de conexión de corriente alterna a una red de corriente alterna
- > No desenchufe nunca la clavija de la caja de enchufe tirando del cable.
- > Si la nevera está conectada a una toma de corriente continua, desconéctela de la batería junto con el resto de aparatos conectados antes de conectar un cargador rápido.
- > Si la nevera está conectada a una toma de corriente continua, desconéctela o apáguela cuando pare el motor. De lo contrario, podría descargarse la batería.
- > El aparato de refrigeración no es adecuado para transportar materiales cáusticos o materiales que contengan disolventes.
- > El aislamiento de la nevera contiene ciclopentano y requiere una gestión de residuos especial. Deposite el aparato de refrigeración en un centro de reciclaje adecuado al finalizar su vida útil.
- > No coloque la nevera cerca de llamas ni de otras fuentes de calor (calefacción, radiación solar directa, estufas de gas, etc.).
- > **¡Riesgo de sobrecalentamiento!** Asegúrese de que siempre haya un mínimo de 50 mm (1,97 in) de espacio de ventilación alrededor del aparato. Mantenga la zona de ventilación libre de objetos que puedan obstruir el paso de aire a los componentes refrigerantes. No utilice ni guarde la nevera en compartimentos cerrados o en áreas donde no haya un flujo mínimo de aire.

- > No introduzca líquidos ni hielo en el recipiente interior.
- > No sumerja nunca el aparato de refrigeración bajo el agua.
- > Proteja el aparato de refrigeración y los cables contra el calor y la humedad.
- > El aparato de refrigeración no debe quedar expuesto a la lluvia.

## 4 Volumen de entrega



Elemento en la  fig. 1 en la página 71	Cantidad	Descripción
1	1	Nevera
2	1	Cable de conexión para la conexión de corriente continua
3	1	Cable de conexión para la conexión de corriente alterna

## 5 Accesorios

Disponible como accesorio (no incluido en el volumen de entrega):

Denominación	N.º de art.	Modelo
<b>Cubierta de protección</b>		
PC25	9620012808	CFX5 25
PC35	9620012806	CFX5 35
PC45	9620012805	CFX5 45
PC55	9620012810	CFX5 55IM
PC75	9620012811	CFX5 75DZ

Denominación	N.º de art.	Modelo
PC95	9620012807	CFX5 95DZ
<b>Riel deslizante para nevera</b>		
CFX5 SLD3545	9610000651	CFX5 35
		CFX5 45
CFX5 SLD55	9610000652	CFX5 55IM
CFX5 SLD75	9610000653	CFX5 75DZ
CFX5 SLD95100	9610000655	CFX5 95DZ
Aplicación de refrigeración móvil	–	Apto para todos los modelos
KIT DE AMARRE - EE.UU.	9600017007	Apto para todos los modelos
KIT DE CORREAS - EE.UU.	9600017296	Apto para todos los modelos
Kit de cableado HWK-DC	9600024894	Apto para todos los modelos

Tenga en cuenta que la app puede no estar disponible en su país.

## 6 Uso previsto

Esta nevera es adecuada para enfriar alimentos. El aparato de refrigeración también es apto para su utilización en vehículos.

La nevera está diseñada para funcionar con una fuente de alimentación de corriente continua de a bordo de un vehículo o embarcación, con una batería auxiliar de corriente continua o con una fuente de alimentación de corriente alterna.

Esta nevera es adecuada para acampadas u otros usos recreativos similares.

El aparato de refrigeración está diseñado para su uso en aplicaciones como:

- Áreas de cocina para el personal en tiendas, oficinas y otros entornos de trabajo
- Casas rurales
- Clientes de hoteles, moteles y otros entornos de tipo residencial
- Ambientes de tipo “bed and breakfast”
- Catering y aplicaciones similares no comerciales

Este producto solo es apto para el uso previsto y la aplicación de acuerdo con estas instrucciones.

Este manual proporciona la información necesaria para la correcta instalación y/o funcionamiento del producto. Una instalación deficiente o un uso y mantenimiento inadecuados conllevan un rendimiento insatisfactorio y posibles fallos.

El fabricante no se hace responsable de ninguna lesión o daño en el producto ocasionados por:

- Una instalación, un montaje o una conexión incorrectos, incluido un exceso de tensión
- Un mantenimiento incorrecto o el uso de piezas de repuesto distintas de las originales proporcionadas por el fabricante
- Modificaciones realizadas en el producto sin el expreso consentimiento del fabricante
- Uso con una finalidad distinta de la descrita en las instrucciones

Dometic se reserva el derecho de cambiar la apariencia y las especificaciones del producto.

## 7 Descripción técnica

La refrigeración se realiza a través de un circuito de refrigeración de bajo mantenimiento con compresor. El elevado aislamiento y el potente compresor aseguran una refrigeración eficiente y rápida.

Esta nevera es portátil.

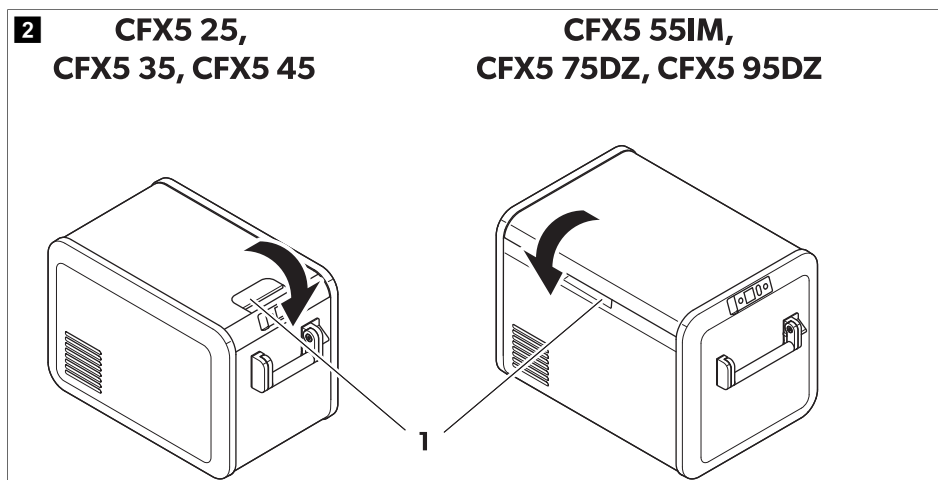
La nevera puede soportar una inclinación de 30° durante períodos cortos (por ejemplo, en embarcaciones).

### 7.1 Descripción de funciones

- Fuente de alimentación con conexión de prioridad al suministro de corriente alterna
- Controlador de batería de tres fases destinado a proteger la batería del vehículo (se desconecta automáticamente en caso de tensión de batería baja)
- Pantalla con sensor de temperatura en °C y °F
- Regulación de la temperatura: A intervalos de 1 °C (1 °F)
- Función WiFi y Bluetooth integradas y, por tanto, controlables mediante una app
- Asas de transporte abatibles
- Cargador USB para aparatos portátiles como teléfonos móviles
- Cesta interior extraíble
- Abridor de botellas integrado
- **Solo para CFX5 55IM:** Máquina de hielo

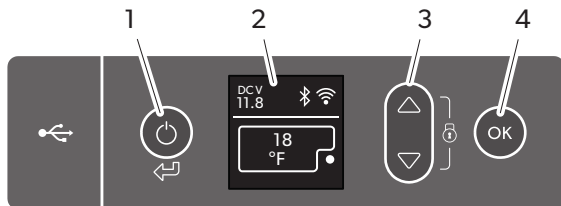
### 7.2 Elementos de mando y de indicación

**Bloqueos de la tapa (  fig. 2 en la página 73)**

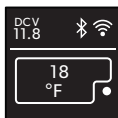


**Panel de control (  fig. 3 en la página 74)**

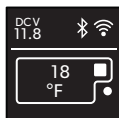
3



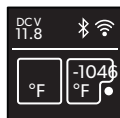
CFX5 25, CFX5 35,  
CFX5 45



CFX5 55 IM

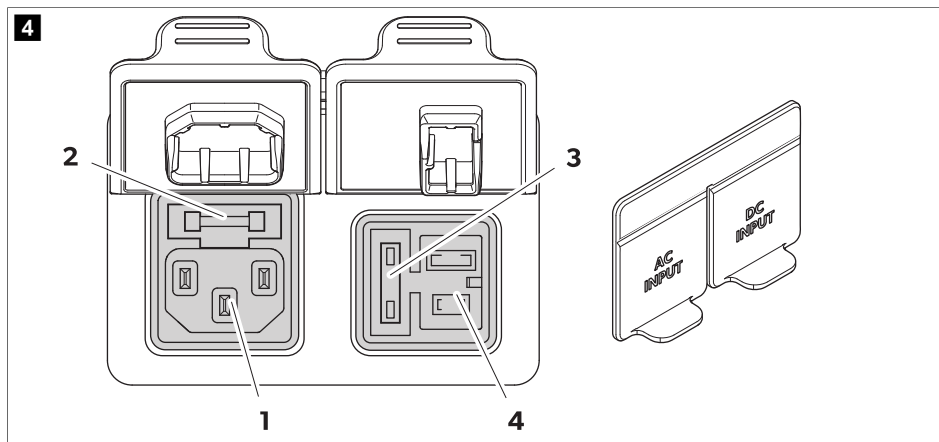


CFX5 75DZ, CFX5 95DZ



Elemento	Descripción	Explicación
1		Pulsando brevemente este botón se enciende la nevera Pulsando durante tres segundos este botón se apaga la nevera Vuelve al menú anterior
2	Pantalla	<b>AC</b> : está conectada la red de corriente alterna <b>DCV</b> : está conectada la red de corriente continua ⌘: está activada la función Bluetooth 📶: está activada la función WiFi 🔒: la pantalla está bloqueada ●: el compresor está funcionando ■: La máquina de hielo está funcionando (solo CFX5 55IM)
3		Pulse △ para desplazarse hacia arriba o para aumentar el valor seleccionado. Pulse ▽ para desplazarse hacia abajo o para disminuir el valor seleccionado. Pulse △ y ▽ simultáneamente durante 3 s para bloquear o desbloquear la pantalla.
4		Pulse para seleccionar un menú o para guardar el valor seleccionado.

**Conexiones de enchufe ( fig. 4 en la página 75)**



Elemento	Descripción
1	Conexión de enchufe para la alimentación de tensión alterna
2	Portafusibles de corriente alterna
3	Tapa del fusible de corriente continua
4	Conexión de enchufe para la alimentación de tensión continua

## 8 Antes del primer uso



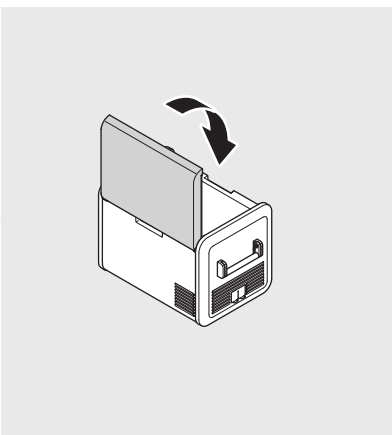
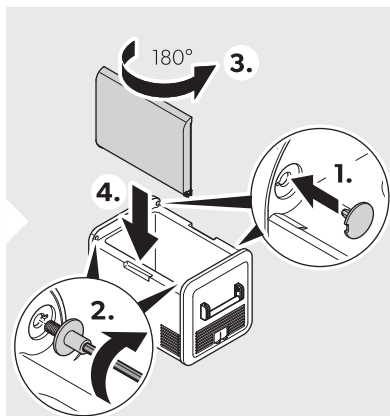
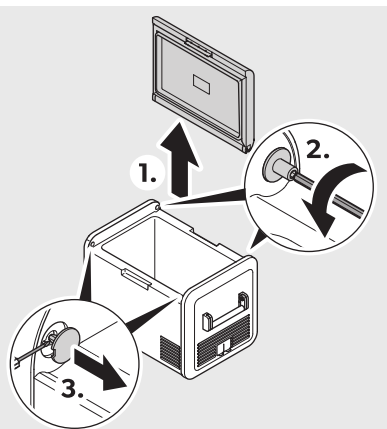
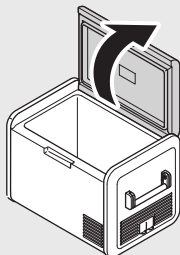
**NOTA** Por razones de higiene, limpie la nevera por dentro y por fuera con un paño húmedo antes de ponerla en funcionamiento (véase Limpieza y mantenimiento en la página 91).

### Inversión del sentido de apertura de la tapa

Para invertir el sentido de apertura de la tapa, proceda como se muestra:

> CFX5 55IM

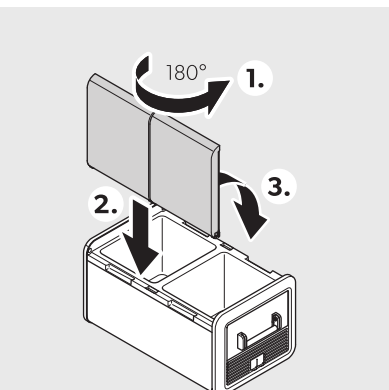
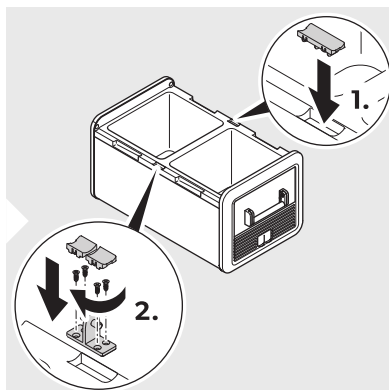
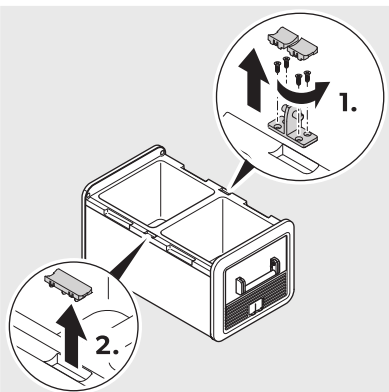
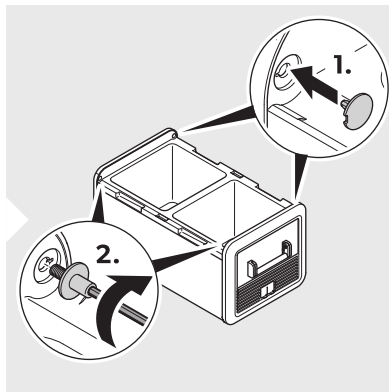
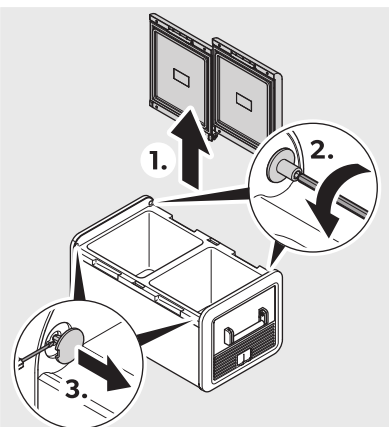
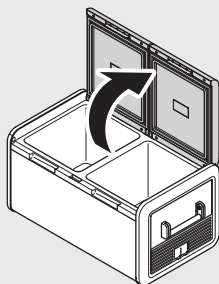
5





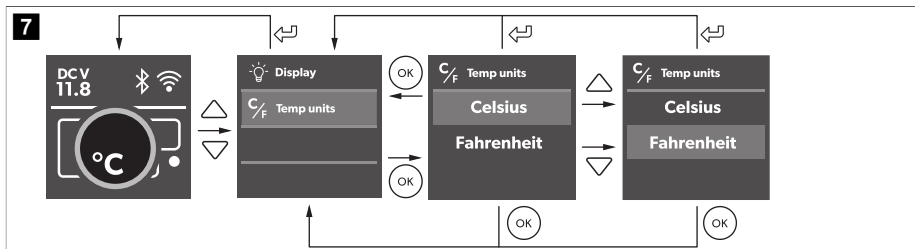
## &gt; CFX575DZ, CFX5 95DZ

6



## Selección de las unidades de temperatura

> Proceda como se indica:



## 9 Funcionamiento

### 9.1 Ahorro de energía

- > Elija un lugar de emplazamiento bien ventilado y protegido de la radiación solar.
- > Antes de introducir alimentos calientes en el aparato para refrigerarlos, deje que se enfríen un poco.
- > No abra la nevera con mayor frecuencia de la necesaria.
- > No deje la nevera abierta más tiempo del necesario.
- > Si la nevera dispone de una cesta: para un consumo de energía óptimo, coloque la cesta en la misma posición que ocupa en el momento de la entrega.
- > Compruebe periódicamente que la junta de la tapa sigue encajando correctamente.
- > Evite temperaturas innecesariamente bajas.

### 9.2 Conexión de la nevera



#### ¡ADVERTENCIA! Peligro de incendio

No conecte el producto a más de una fuente de alimentación al mismo tiempo. Se pueden producir daños en el sistema eléctrico y provocar un incendio.

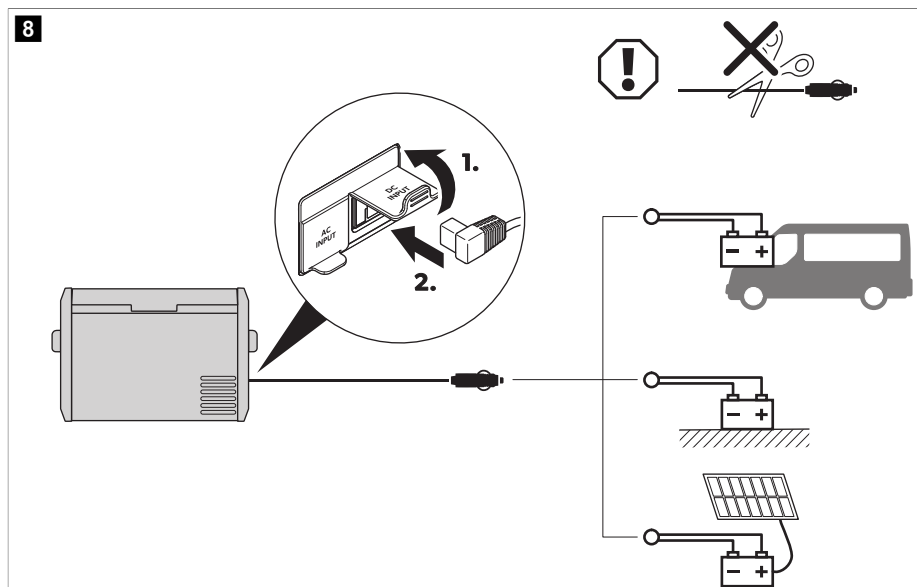
#### Conexión a una fuente de corriente continua



#### ¡AVISO! Peligro de daños

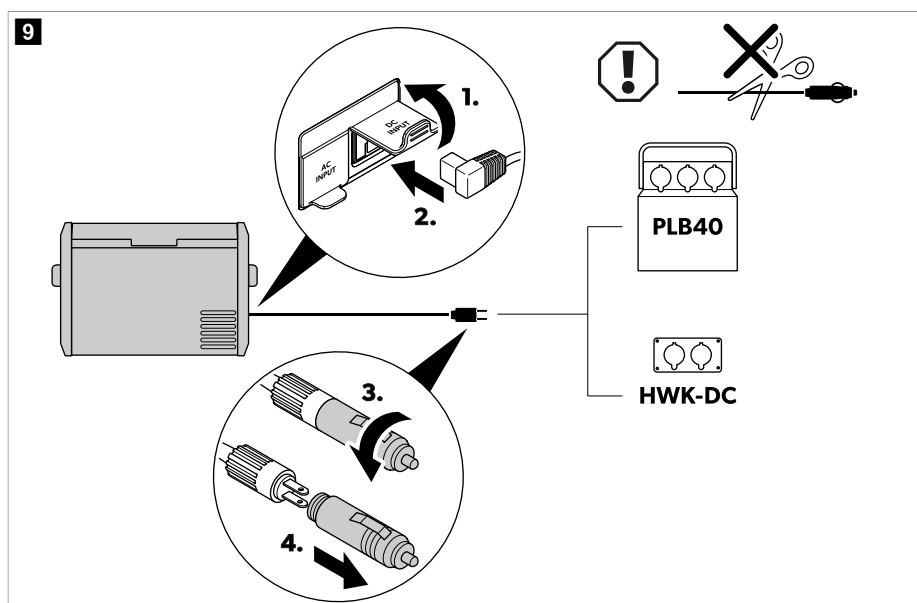
Para proteger el aparato, el cable de corriente continua suministrado incluye un fusible dentro de la clavija. **No** retire el enchufe de CC con fusible. Utilice únicamente el cable de corriente continua suministrado.

> Proceda como se indica:



### Conexión a la batería portátil PLB40 o al kit de cableado HWK-DC (accesorios)

> Proceda como se indica:



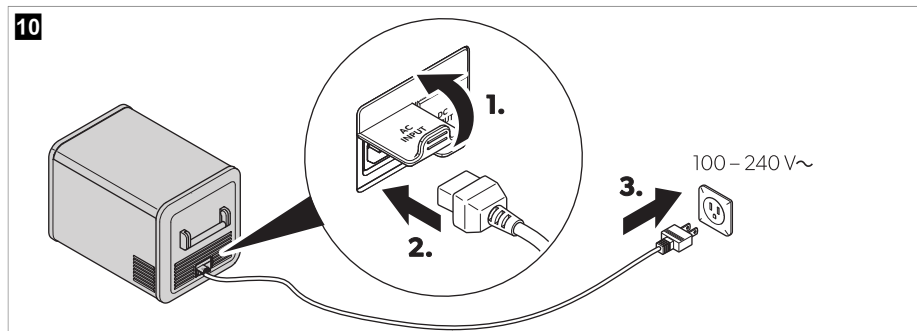
## Conexión a una red de corriente alterna



### ¡PELIGRO! Riesgo de electrocución

- > No manipule los enchufes ni interruptores con las manos mojadas ni con los pies sobre una superficie mojada.
- > Si es necesario, consulte con un especialista.

- > Proceda como se indica:



## 9.3 Utilización del controlador de la batería

La nevera está equipada con un controlador de batería que proporciona una protección de la batería en 3 fases. El protector de batería evita una descarga excesiva cuando la nevera está conectada a la batería de arranque de un vehículo o maximiza el uso de una batería de alimentación.

En caso de poner la nevera en funcionamiento en el vehículo con el contacto apagado, esta se desconectará automáticamente cuando la tensión de alimentación descienda por debajo de un valor ajustable. La nevera volverá a conectarse en cuanto se cargue la batería y se alcance la tensión de alimentación de reconexión.



### ¡AVISO! Peligro de daños

La batería no se cargará de forma completa, al ser desconectada por el controlador de la batería. Evite arranques repetidos o utilizar los aparatos conectados a la corriente sin fases de recarga largas. Asegúrese de que la batería está recargada.



**NOTA** Si la nevera está alimentada por la batería de arranque, seleccione el modo del controlador de batería "HIGH". Si la nevera está conectada a una batería de alimentación, es suficiente el modo de controlador de batería "LOW".

> Proceda como se indica:

**11**

**Low**

**Medium/High**

		Low	Medium	High
12V 	OFF	10.1 V	11.2 V	11.8 V
	ON	11.4 V	12.2 V	12.6 V
24V 	OFF	21.5 V	24.1 V	24.6 V
	ON	23.0 V	25.3 V	26.2 V

## 9.4 Utilización de la nevera



### ¡AVISO! Riesgo de sobrecalentamiento

Asegúrese de que en todo momento exista suficiente ventilación para que el calor originado durante el uso se pueda disipar. Evite que se obstruyan las ranuras de ventilación. Asegúrese de que la nevera guarde la suficiente distancia respecto a paredes u objetos, de forma que el aire pueda circular.



### ¡AVISO! Peligro de daños por temperatura excesivamente baja

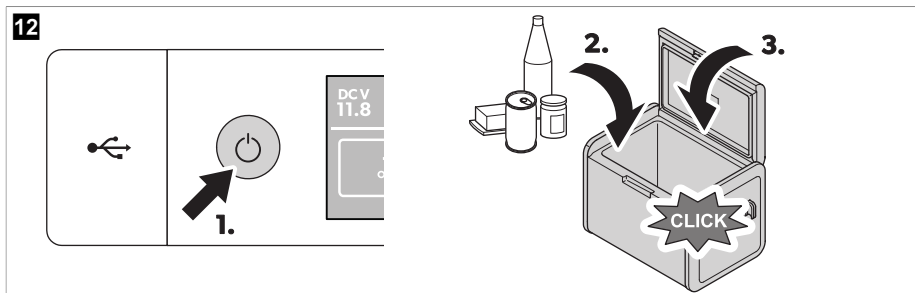
Asegúrese de que en la nevera solo haya objetos o productos que puedan enfriarse a la temperatura seleccionada.



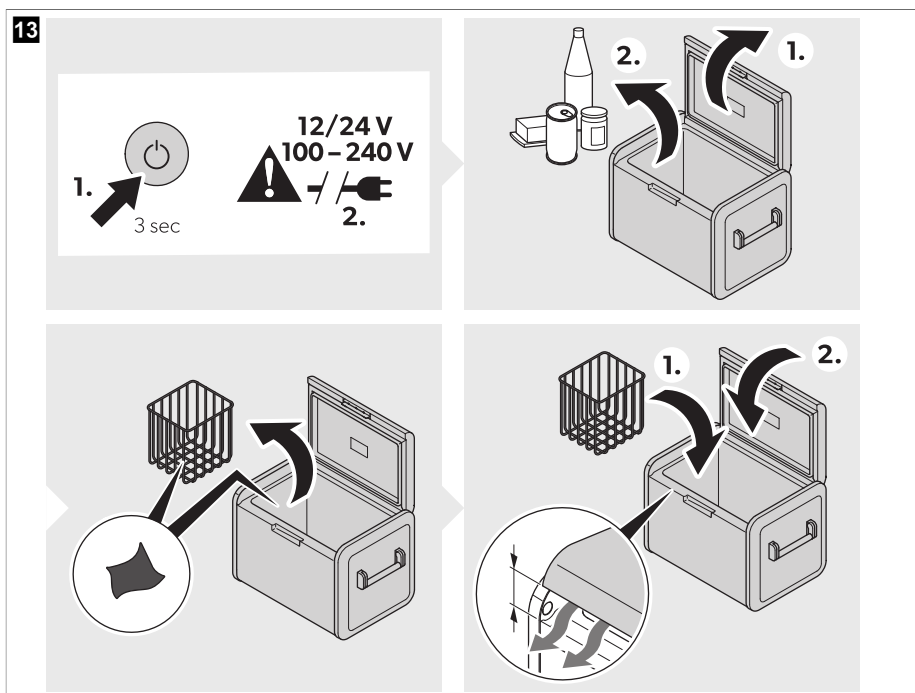
**NOTA** Cuando funciona con la batería:

- Cuando la tensión es de  $< 8\text{ V}$ , la pantalla se apaga automáticamente.
- Cuando la tensión es de  $\geq 8\text{ V}$  y  $\leq 12\text{ V}$  la pantalla puede mostrar “¡ALERTA! - Tensión baja” en función del ajuste del modo del controlador de la batería.

> Encienda la nevera:

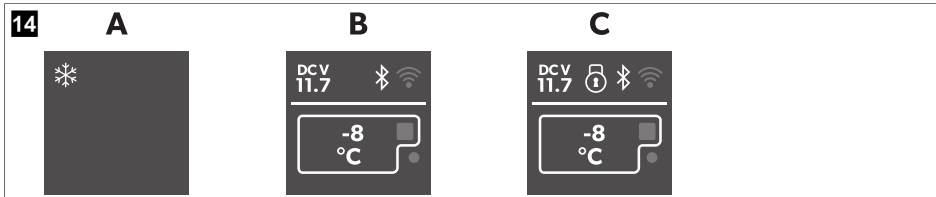


> Apague la nevera:



## 9.5 Uso de la pantalla

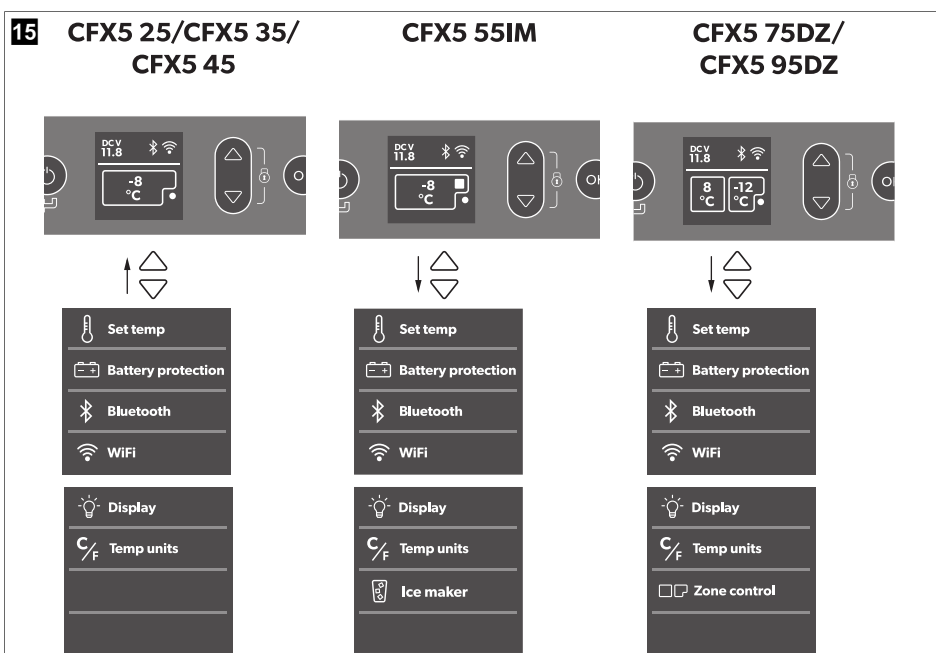
**Estados de la pantalla:**



**Elemento      Descripción**

A	Stand-by
B	Inactivo
C	Bloqueado

**Vista general de la pantalla:**



**Navegación por los menús**

Está seleccionado el menú marcado.

- > Pulse  $\triangle$  para desplazarse hacia arriba.
- > Pulse  $\nabla$  para desplazarse hacia abajo.

**Elección de menú**

- > Pulse  $\odot$  para seleccionar el menú deseado.

### Cambio de ajustes

Está seleccionado el valor o ajuste marcado.

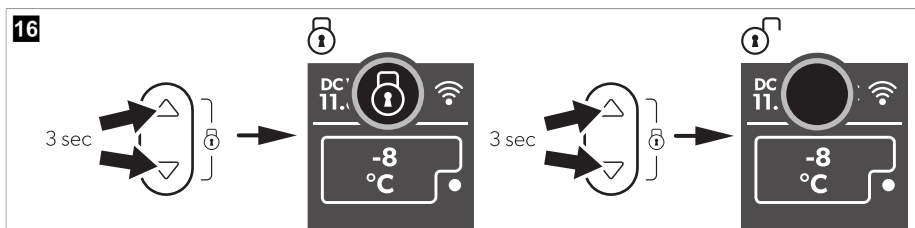
- > Pulse  $\triangle$  para aumentar el valor seleccionado o para elegir el ajuste anterior.
- > Pulse  $\nabla$  para disminuir el valor seleccionado o para elegir el siguiente ajuste.

### Vuelta al menú anterior

- > Pulse  $\leftarrow$  para volver al menú anterior sin guardar.

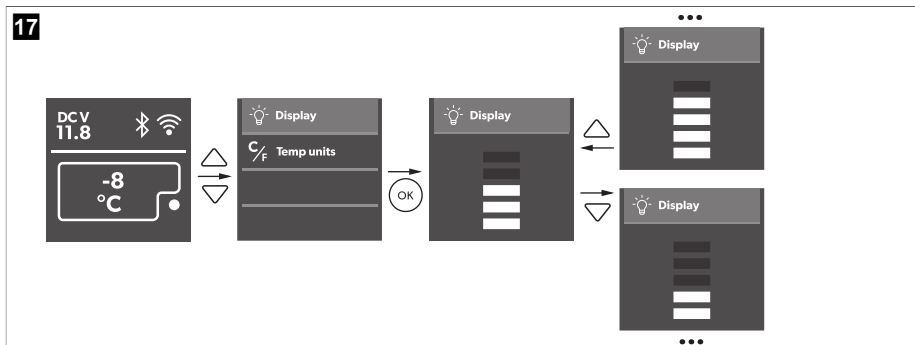
## 9.6 Bloqueo/desbloqueo de la pantalla

- > Pulse  $\triangle$  y  $\nabla$  simultáneamente durante 3 s para bloquear o desbloquear la pantalla.



## 9.7 Ajuste del brillo de la pantalla

- > Proceda como se indica:

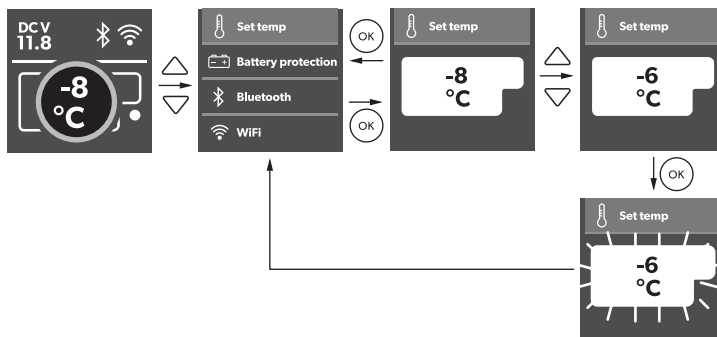




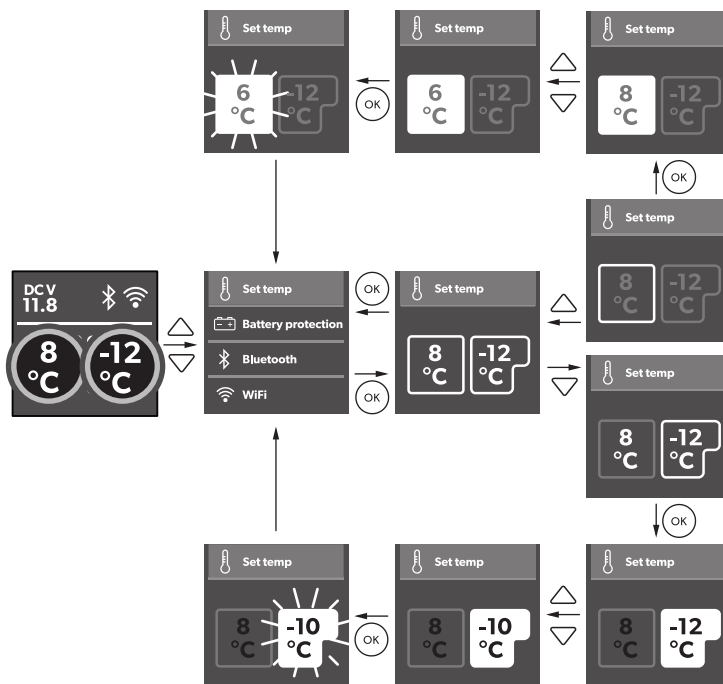
## 9.8 Ajuste de la temperatura

> Proceda como se indica:

### 18 CFX5 25/CFX5 35/CFX5 45/CFX5 55IM



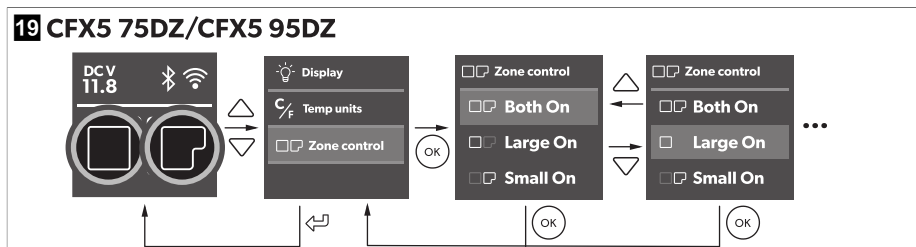
### CFX5 75DZ/CFX5 95DZ



## 9.9 Encendido y apagado de un compartimento (solo modelos CFX5 75DZ, CFX5 95DZ)

Puede activar cada zona por separado o conjuntamente.

> Proceda como se indica:



## 9.10 Uso de la máquina de hielo (solo modelo CFX5 55IM)

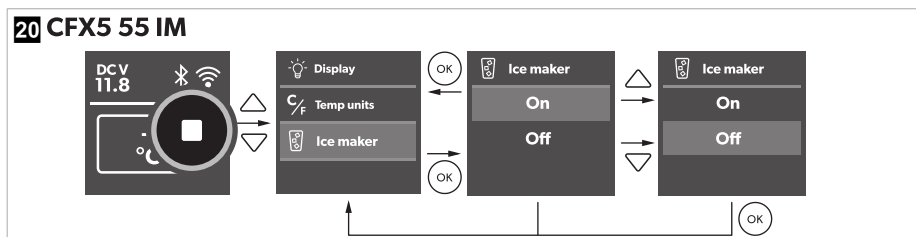


### NOTA

- > Independientemente del ajuste de temperatura del compartimento principal, la zona de la máquina de hielo está diseñada para producir cubitos de hielo cuando dicha máquina está encendida.
- > El consumo de energía de la nevera aumenta si la máquina de hielo está encendida. Por ello conviene apagar la máquina de hielo cuando no se necesite.
- > La máquina de hielo viene de fábrica ajustada a OFF.

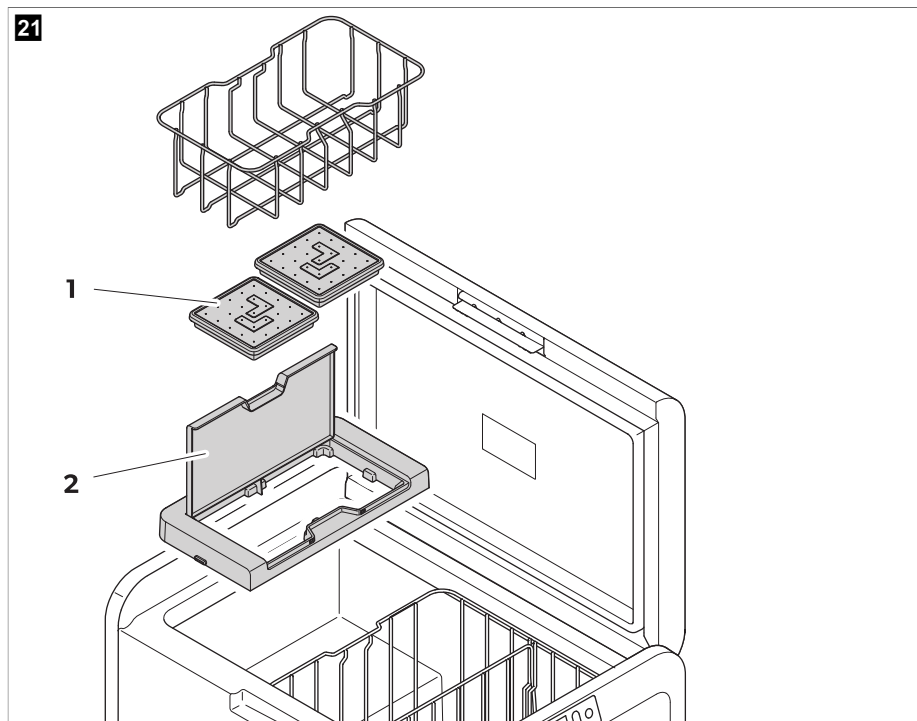
Consejos para el uso de la máquina de hielo

- Cuando se enciende, la máquina de hielo produce rápidamente hielo durante varias horas y, a continuación, pasa automáticamente a un modo de mantenimiento de hielo para reducir el consumo de energía. Si se necesitan varios lotes de hielo lo antes posible, apagando y volviendo a encender la máquina de hielo se pondrá nuevamente en marcha el modo de fabricación rápida de hielo. Repita este proceso según sea necesario.
  - Cuando la máquina de hielo está encendida no es posible mantener los ajustes de baja temperatura del congelador en el compartimento principal si la temperatura ambiente es elevada.
- > Para encender o apagar la máquina de hielo, proceda como se muestra:



### Llenado de agua de las bandejas de hielo

- > Retire las bandejas de hielo ( fig. 21 en la página 87 1) de la carcasa de la máquina de hielo ( fig. 21 en la página 87 2).



### Retirada de los cubitos de hielo



#### NOTA

La retirada puede requerir aplicar una fuerza adicional utilizando las dos manos en condiciones de elevada humedad, lo que puede crear una unión de hielo debajo de las bandejas de hielo.

1. Abra la tapa de la carcasa de la máquina de hielo y levántela por debajo de la parte delantera de las bandejas de hielo.
2. Retire las tapas de la bandeja de hielo y gire las bandejas para liberar los cubitos de hielo.

### Retirada de la carcasa de la máquina de hielo

La carcasa de la máquina de hielo se puede extraer para su limpieza o cuando no se utiliza para así aumentar el espacio útil dentro de la nevera.

- > Levante la carcasa por un extremo hasta que la lengüeta se desbloquee y seguidamente extraiga la carcasa.
- > Para volver a colocarla, proceda a la inversa empujando hacia abajo las lengüetas de modo que quede encajada en su posición.

### Limpieza y secado de la máquina de hielo

- > Cuando no se utilicen, limpie y seque las bandejas de hielo y el interior de la carcasa de la máquina de hielo para evitar la formación de moho.
- > Antes de volver a utilizar la máquina de hielo tras un largo período sin usarla, limpie el interior de las bandejas de hielo con una solución de detergente suave para vajillas y enjuague con agua limpia.

## 9.11 Uso de Bluetooth y WiFi

### Descarga de la aplicación de refrigeración móvil

La nevera se puede monitorear y controlar a través de Bluetooth o WiFi con una aplicación que se puede instalar en un dispositivo compatible.



Descarga de la aplicación de refrigeración móvil.

### Ajuste de la señal Bluetooth y conexión a la app

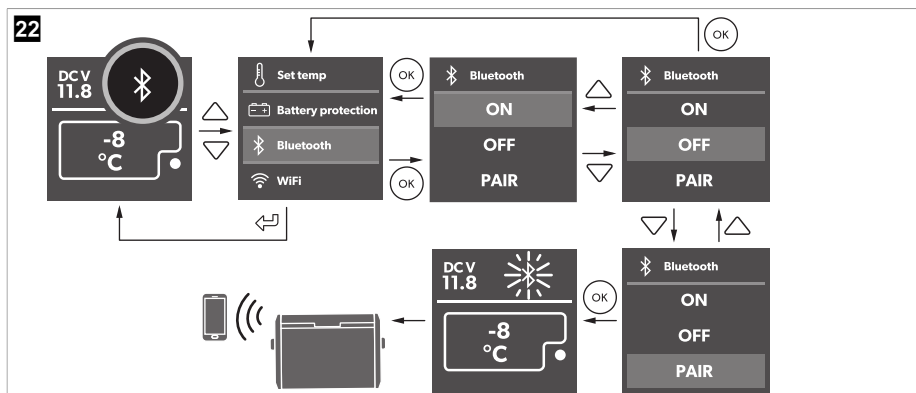
La nevera se puede monitorear y controlar a través de Bluetooth. Para ello, empareje la nevera con el dispositivo Bluetooth.



**NOTA**

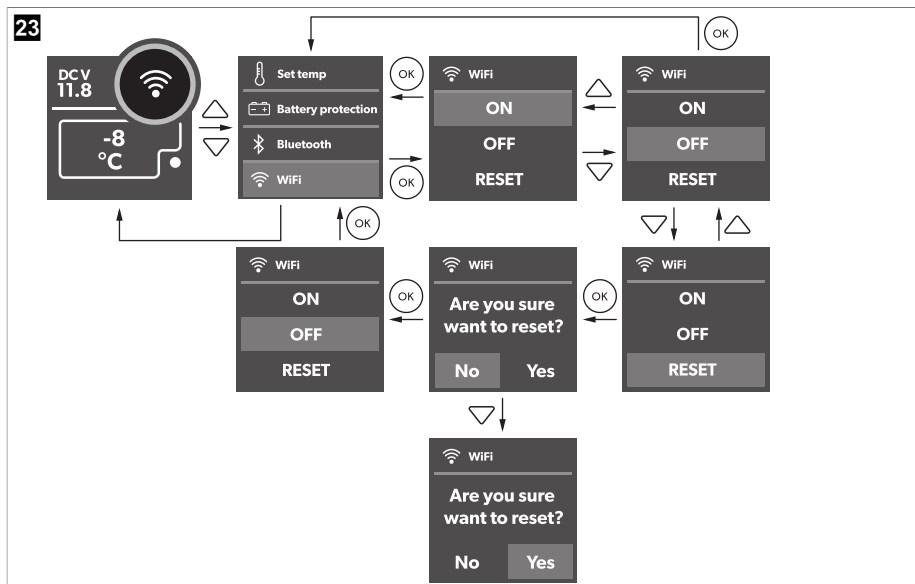
- El emparejamiento debe realizarse en la app de refrigeración móvil y no en la configuración del dispositivo.
- No se requiere ninguna contraseña para la conexión Bluetooth.

> Proceda como se indica:



## Configuración de la señal WiFi

> Proceda como se indica:



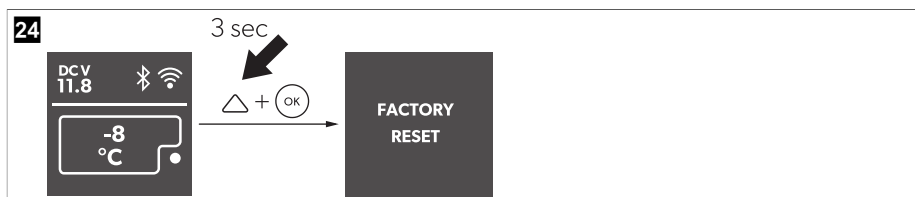
## Uso del Bluetooth y la WiFi

- > Siga las instrucciones de la aplicación de refrigeración móvil.
- ✓ El LED de Bluetooth o el de la WiFi se ilumina cuando la nevera está conectada.

## 9.12 Restablecimiento de los ajustes de fábrica

La función de restablecimiento restablece los ajustes originales de fábrica de todos los campos de visualización de menú y campos de app.

> Proceda como se indica:



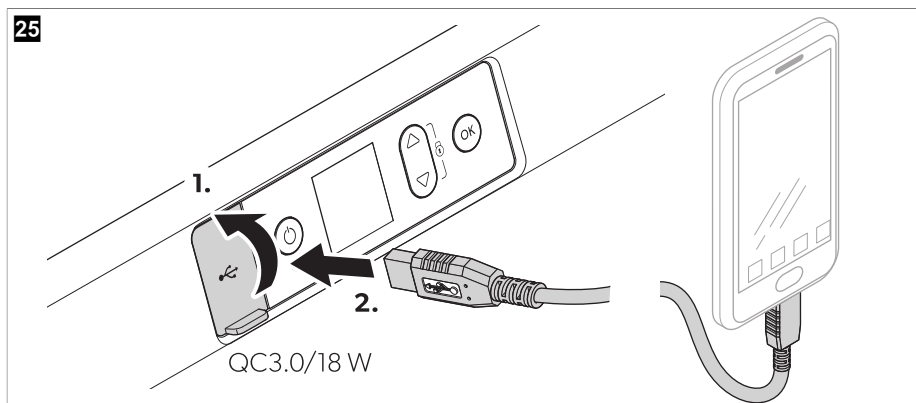
## 9.13 Conexión USB para alimentación de tensión

La conexión USB permite cargar dispositivos pequeños como teléfonos móviles y reproductores de mp3.



**NOTA** Asegúrese de que el dispositivo pequeño que enchufe a la conexión USB sea adecuado para el funcionamiento con 5 V/2,5 A.

> Proceda como se indica:



## 9.14 Descongelación del aparato de refrigeración

La humedad del aire puede formar escarcha en el interior de la nevera o en el evaporador. Esto reduce la potencia de refrigeración.



### ¡AVISO! Peligro de daños

No utilice nunca herramientas de material duro o afiladas para quitar el hielo o soltar objetos que se hayan congelado en su ubicación.

Para descongelar la nevera, proceda como se indica a continuación:


1. Retire los productos guardados en la nevera.
2. En caso necesario, trásélalos a otra nevera para mantenerlos fríos.
3. Apague la nevera.
4. Deje la tapa abierta.
5. Elimine el agua de descongelación.

## 9.15 Cambio del fusible de corriente alterna




### ¡PELIGRO! Riesgo de electrocución

Desconecte el suministro eléctrico y el cable de conexión antes de sustituir el fusible del aparato.

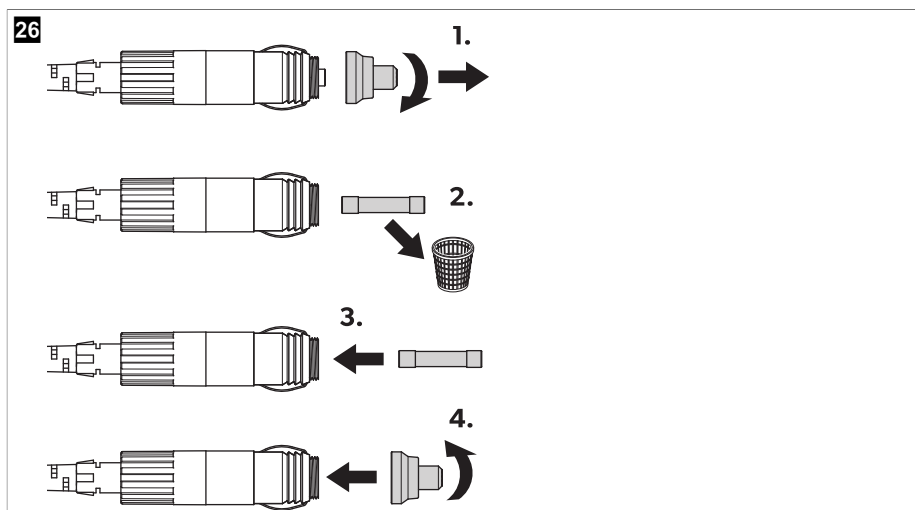
1. Desconecte la alimentación de corriente del aparato.
2. Retire el cable de conexión.
3. Extraiga el juego de fusibles (  fig. 4 en la página 75 2) con un destornillador.
4. Cambie el fusible de vidrio averiado por otro nuevo del mismo tipo y capacidad (Fast acting, 4 A, 250 V).
5. Vuelva a presionar el juego de fusibles en la carcasa.
6. Vuelva a conectar la alimentación de corriente del aparato.

## 9.16 Sustitución del fusible de corriente continua

1. Desconecte la alimentación de corriente de la nevera.
2. Extraiga la cubierta de fusibles (  fig. 4 en la página 75 3) con un destornillador.
3. Dé la vuelta a la cubierta de fusibles y utilice el gancho para extraer el fusible de hoja defectuoso.
4. Introduzca un fusible nuevo del mismo tipo y capacidad.
  - CFX5 25, CFX5 35, CFX5 45: 10 A
  - CFX5 75DZ, CFX5 95DZ: 15 A
5. Vuelva a colocar la cubierta de fusibles.
6. Vuelva a conectar la alimentación de corriente de la nevera.

## 9.17 Sustitución del fusible de la clavija de corriente continua

- > Sustituya el fusible defectuoso por uno nuevo del mismo tipo y capacidad tal como se muestra.



- CFX5 25, CFX5 35, CFX5 45: 10 A
- CFX5 75DZ, CFX5 95DZ: 15 A

## 10 Limpieza y mantenimiento



### ¡ATENCIÓN! Riesgo de electrocución

Asegúrese de que el aparato de refrigeración está desconectado de la fuente de alimentación antes de realizar cualquier trabajo de limpieza o mantenimiento.



### ¡AVISO! Peligro de daños

- > Nunca limpie el aparato bajo un chorro de agua corriente ni inmerso en agua jabonosa.
- > No utilice limpiadores abrasivos ni objetos duros para limpiar el aparato.

- > Limpie de vez en cuando el interior y el exterior del aparato con un paño húmedo.

- > Asegúrese de que las ranuras de entrada y salida de aire de la nevera no contengan polvo y estén limpias para que el calor pueda salir y el aparato no se estropee.

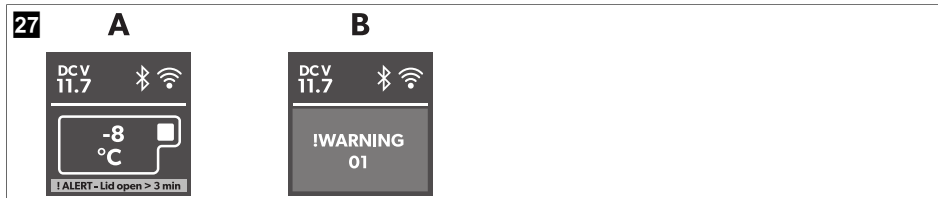
## 11 Solución de problemas

Fallo	Posible causa	Propuesta de solución
El dispositivo no funciona (modo CC, ignición activada).	No se ha detectado tensión en la salida de corriente continua	> En la mayoría de los vehículos, el encendido debe estar conectado para que se pueda suministrar corriente a la salida de alimentación de corriente continua.
	La salida de corriente continua está sucia. En consecuencia, el contacto eléctrico es defectuoso.	> Si la clavija del aparato se calienta mucho en la salida de corriente continua, significa que dicha salida está sucia o que la clavija no está correctamente montada.
	El fusible de la clavija de corriente continua se ha fundido.	> Cambie el fusible defectuoso de la clavija de corriente continua, véase Sustitución del fusible de la clavija de corriente continua en la página 91.
	El fusible de la salida de corriente continua del aparato se ha fundido.	> Cambie el fusible de CC del aparato, véase Sustitución del fusible de corriente continua en la página 91.
	Se ha fundido el fusible del vehículo.	> Sustituya el fusible de la salida de corriente continua del vehículo. Consulte las instrucciones de uso del vehículo.
El aparato no funciona (modo CA).	No se ha detectado tensión en la toma de corriente alterna.	> Inténtelo en otra toma de salida.
	El fusible de corriente alterna del aparato se ha fundido.	> Cambie el fusible de CA del aparato, véase Cambio del fusible de corriente alterna en la página 90.
	El adaptador de corriente alterna integrado está averiado.	Solo un servicio de atención al cliente autorizado puede realizar la reparación.
La pantalla no responde a las pulsaciones de teclas.	La pantalla está bloqueada.	> Desbloquee la pantalla, véase Bloqueo/desbloqueo de la pantalla en la página 84.
La app no puede controlar el aparato.	Bluetooth o WiFi no están conectados.	> Conéctese a Bluetooth (véase Ajuste de la señal Bluetooth y conexión a la app en la página 88) o a una WiFi (véase Configuración de la señal WiFi en la página 89).
La pantalla muestra un mensaje de alerta o un código de advertencia.	–	> Consulte las siguientes tablas.

### 11.1 Mensajes de alerta

Ejemplo:





Mensaje de alerta	Descripción	Posible causa	Propuesta de solución
¡ALERTA! - Tapa abierta > 3 min	Tapa abierta más de 3 min	La tapa no está completamente encajada	Comprobar que la tapa esté completamente encajada
		Avería interna	Se requiere la inspección por parte de un centro de reparación autorizado
¡ALERTA! - Tensión baja	El aparato ha dejado de funcionar en corriente continua debido a la baja tensión	Tensión de alimentación insuficiente	Comprobar la caída de tensión desde la batería hasta la salida de alimentación de corriente y, en caso necesario, aumentar el calibre del cableado
		Tensión de la batería demasiado baja	Comprobar la batería y cargarla correspondientemente
		El protector de batería está ajustado demasiado alto	Seleccionar un ajuste más bajo para el protector de batería
		Especificación incorrecta de la tensión de alimentación CC	Asegúrese de que la especificación de la tensión de alimentación CC coincide con la etiqueta de clasificación del producto
		Tensión de alimentación defectuosa	Controle la fuente de alimentación CC y si presenta algún defecto, encárgase de las reparaciones o sustituciones necesarias
Avería interna	Se requiere la inspección por parte de un centro de reparación autorizado		

## 11.2 Códigos de advertencia

Ejemplo:  fig. 27 en la página 93

Código de advertencia	Fallo	Posible causa	Propuesta de solución
¡ADVERTENCIA 01	Circuito abierto NTC SZ & DZ GRANDE	Avería interna	Se requiere la inspección por parte de un centro de reparación autorizado
¡ADVERTENCIA 02	Cortocircuito NTC SZ & DZ GRANDE		
¡ADVERTENCIA 11	Circuito abierto NTC DZ PEQUEÑO		

Código de advertencia	Fallo	Posible causa	Propuesta de solución
IADVERTENCIA 12	Cortocircuito NTC DZ PE-QUEÑO		
IADVERTENCIA 03/43	Error de comunicación		Apague el aparato durante, al menos, 1 min y seguidamente reinicielo. Si el problema persiste, se requiere una inspección por parte de un centro de reparación autorizado.
IADVERTENCIA 09	Defecto en la válvula DZ o la válvula de la máquina de hielo		
IADVERTENCIA 32	Sobrecorriente del ventilador	Avería interna	Apague el aparato durante, al menos, 5 min y seguidamente reinicielo. Si el problema persiste, se requiere una inspección por parte de un centro de reparación autorizado.
IADVERTENCIA 33	Fallo de arranque del compresor		
IADVERTENCIA 34	Velocidad del compresor baja	<ul style="list-style-type: none"> <li>Alta temperatura ambiente</li> </ul>	<ul style="list-style-type: none"> <li>Apague el aparato durante al menos 30 min o trasládalo a un lugar más fresco y, a continuación, reinicielo.</li> </ul>
IADVERTENCIA 35	Sobrettemperatura del controlador	<ul style="list-style-type: none"> <li>Abertura de aire bloqueada o espacio libre insuficiente</li> <li>Avería interna</li> </ul>	<ul style="list-style-type: none"> <li>Despejar las aberturas</li> <li>Se requiere la inspección por parte de un centro de reparación autorizado</li> </ul>

## 12 Garantía

Consulte las siguientes secciones para obtener información sobre garantía y asistencia para garantía en EE. UU., Canadá y el resto de regiones.

### Estados Unidos y Canadá

GARANTÍA LIMITADA DISPONIBLE EN [DOMETIC.COM/EN-US/TERMS-AND-CONDITIONS-CONSUMER/WARRANTY](http://DOMETIC.COM/EN-US/TERMS-AND-CONDITIONS-CONSUMER/WARRANTY). SI TIENE PREGUNTAS O DESEA OBTENER UNA COPIA SIN COSTO DE LA GARANTÍA LIMITADA, CONTACTE CON:

DOMETIC CORPORATION  
 CUSTOMER SUPPORT CENTER  
 5155 VERDANT DRIVE  
 ELKHART, INDIANA 46516  
 1-800-544-4881

### Otras regiones

Para tramitar la reparación y la garantía, incluya los siguientes documentos cuando envíe el aparato:

- Una copia de la factura con fecha de compra
- El motivo de la reclamación o una descripción de la avería

Tenga en cuenta que una reparación por medios propios o no profesionales puede tener consecuencias de seguridad y suponer la anulación de la garantía.

## 13 Eliminación



Reciclaje del material de embalaje: Si es posible, deseche el material de embalaje en el contenedor de reciclaje adecuado.



### ¡ADVERTENCIA! Riesgo de atrapamiento infantil

Antes de deshacerse de su aparato de refrigeración viejo, desmonte la tapa. Deje las cestas colocadas en su sitio para impedir que los niños puedan introducirse en el aparato.



Reciclaje de productos con baterías no sustituibles, recargables o fuentes de luz:

- Deseche el producto respetando todas las normativas aplicables.
- El producto podrá desecharse gratuitamente.

## 14 Datos técnicos



**NOTA** La temperatura mínima mostrada en "Potencia de refrigeración" se puede alcanzar si la temperatura ambiente es superior a 32 °C (89,6 °F).



Inspección/certificados:

Siga las condiciones de uso EPA.

	CFX5 25
Tensión de conexión	12 V $\overline{\text{---}}$ / 24 V $\overline{\text{---}}$ 100 V $\sim$ ... 240 V $\sim$
Corriente nominal	12 V $\overline{\text{---}}$ : 7,2 A 24 V $\overline{\text{---}}$ : 3,2 A 100 V $\sim$ : 0,85 A 240 V $\sim$ : 0,36 A
Potencia de refrigeración	20 °C (68 °F) ... -22 °C (7,6 °F)
Clase climática	N, T
Volumen ("Volume")	25 L (6,61 gal)
Temperatura ambiente	16 °C (60,8 °F) ... 43 °C (109,4 °F)
Refrigerante	R1234yf
cantidad existente de refrigerante	21 g (0,7 oz)
Gama de frecuencias	WiFi: 2400 MHz ... 2483,5 MHz Bluetooth/BLE: 2400 MHz ... 2483,5 MHz
Banda de frecuencia (WiFi)	2,4 GHz

	<b>CFX5 25</b>
Potencia RF de salida	WiFi: 19,91 dBm (802.11b), 19,91 dBm (802.11g), 19,91 dBm (802.11n), Bluetooth: 11,23 dBm Bluetooth LE: 11,23 dBm
Dimensiones A x H x P (asas incluidas)	342 mm (13,46 in) × 569 mm (22,40 in) × 420 mm (16,54 in)
Peso	15,5 kg (34,2 lb)

	<b>CFX5 35</b>
Tensión de conexión	12 V <sup>---</sup> / 24 V <sup>---</sup> 100 V <sup>~</sup> ... 240 V <sup>~</sup>
Corriente nominal	12 V <sup>---</sup> : 7,6 A 24 V <sup>---</sup> : 3,4 A 100 V <sup>~</sup> : 0,9 A 240 V <sup>~</sup> : 0,38 A
Potencia de refrigeración	20 °C (68 °F) ... -22 °C (7,6 °F)
Clase climática	N, T
Volumen ("Volume")	36 L (9,51 gal)
Temperatura ambiente	16 °C (60,8 °F) ... 43 °C (109,4 °F)
Refrigerante	R1234yf
cantidad existente de refrigerante	30 g (1,1 oz)
Gama de frecuencias	WiFi: 2400 MHz ... 2483,5 MHz Bluetooth/BLE: 2400 MHz ... 2483,5 MHz
Banda de frecuencia (WiFi)	2,4 GHz
Potencia RF de salida	WiFi: 19,91 dBm (802.11b), 19,91 dBm (802.11g), 19,91 dBm (802.11n), Bluetooth: 11,23 dBm Bluetooth LE: 11,23 dBm
Dimensiones A x H x P (asas incluidas)	398 mm (15,67 in) × 694 mm (27,32 in) × 407 mm (16,02 in)
Peso	19 kg (41,9 lb)

	<b>CFX5 45</b>
Tensión de conexión	12 V <sub>DC</sub> / 24 V <sub>DC</sub> 100 V <sub>AC</sub> ... 240 V <sub>AC</sub>
Corriente nominal	12 V <sub>DC</sub> : 8,1 A 24 V <sub>DC</sub> : 3,7 A 100 V <sub>AC</sub> : 0,94 A 240 V <sub>AC</sub> : 0,39 A
Potencia de refrigeración	20 °C (68 °F) ... - 22 °C (7,6 °F)
Clase climática	N, T
Volumen ("Volume")	46 L (12,15 gal)
Temperatura ambiente	16 °C (60,8 °F) ... 43 °C (109,4 °F)
Refrigerante	R1234yf
cantidad existente de refrigerante	33 g (1,2 oz)
Gama de frecuencias	WiFi: 2400 MHz ... 2483,5 MHz Bluetooth/BLE: 2400 MHz ... 2483,5 MHz
Banda de frecuencia (WiFi)	2,4 GHz
Potencia RF de salida	WiFi: 19,91 dBm (802.11b), 19,91 dBm (802.11g), 19,91 dBm (802.11n), Bluetooth: 11,23 dBm Bluetooth LE: 11,23 dBm
Dimensiones A x H x P (asas incluidas)	398 mm (15,67 in) × 694 mm (27,32 in) × 476 mm (18,74 in)
Peso	20,9 kg (46,1 lb)

	<b>CFX5 55IM</b>
Tensión de conexión	12 V <sub>DC</sub> / 24 V <sub>DC</sub> 100 V <sub>AC</sub> ... 240 V <sub>AC</sub>
Corriente nominal	12 V <sub>DC</sub> : 8,5 A 24 V <sub>DC</sub> : 4 A 100 V <sub>AC</sub> : 0,96 A 240 V <sub>AC</sub> : 0,4 A
Potencia de refrigeración	20 °C (68 °F) ... - 22 °C (7,6 °F)
Clase climática	N, T
Volumen total	55 L (14,53 gal)

	<b>CFX5 55IM</b>
Temperatura ambiente	16 °C (60,8 °F) ... 43 °C (109,4 °F)
Refrigerante	R1234yf
cantidad existente de refrigerante	34 g (1,2 oz)
Gama de frecuencias	WiFi: 2400 MHz ... 2483,5 MHz Bluetooth/BLE: 2400 MHz ... 2483,5 MHz
Banda de frecuencia (WiFi)	2,4 GHz
Potencia RF de salida	WiFi: 19,91 dBm (802.11b), 19,91 dBm (802.11g), 19,91 dBm (802.11n), Bluetooth: 11,23 dBm Bluetooth LE: 11,23 dBm
Dimensiones A x H x P (asas incluidas)	720 mm (28,35 in) × 455 mm (17,91 in) × 480 mm (18,90 in)
Peso	24,3 kg (53,6 lb)

	<b>CFX5 75DZ</b>
Tensión de conexión	12 V $\text{---}$ / 24 V $\text{---}$ 100 V $\sim$ ... 240 V $\sim$
Corriente nominal	12 V $\text{---}$ : 9,7 A 24 V $\text{---}$ : 4,4 A 100 V $\sim$ : 1,11 A 240 V $\sim$ : 0,47 A
Potencia de refrigeración	20 °C (68 °F) ... - 22 °C (7,6 °F)
Clase climática	N, T
Volumen total	75 L (19,82 gal) (45 L (11,89 gal)/30 L (7,93 gal))
Temperatura ambiente	16 °C (60,8 °F) ... 43 °C (109,4 °F)
Refrigerante	R1234yf
cantidad existente de refrigerante	46 g (1,6 oz)
Gama de frecuencias	WiFi: 2400 MHz ... 2483,5 MHz Bluetooth/BLE: 2400 MHz ... 2483,5 MHz
Banda de frecuencia (WiFi)	2,4 GHz

	<b>CFX5 75DZ</b>
Potencia RF de salida	WiFi: 19,91 dBm (802.11b), 19,91 dBm (802.11g), 19,91 dBm (802.11n), Bluetooth: 11,23 dBm Bluetooth LE: 11,23 dBm
Dimensiones A x H x P (asas incluidas)	892 mm (35,12 in) × 495 mm (19,49 in) × 472 mm (18,58 in)
Peso	30,5 kg (67,3 lb)

	<b>CFX5 95DZ</b>
Tensión de conexión	12 V $\overline{=}$ / 24 V $\overline{=}$ 100 V $\sim$ ... 240 V $\sim$
Corriente nominal	12 V $\overline{=}$ : 9,8 A 24 V $\overline{=}$ : 4,5 A 100 V $\sim$ : 1,15 A 240 V $\sim$ : 0,48 A
Potencia de refrigeración	20 °C (68 °F) ... -22 °C (7,6 °F)
Clase climática	N, T
Volumen total	94 L (24,83 gal) (55 L (14,53 gal)/39 L (10,30 gal))
Temperatura ambiente	16 °C (60,8 °F) ... 43 °C (109,4 °F)
Refrigerante	R1234yf
cantidad existente de refrigerante	54 g (1,9 oz)
Gama de frecuencias	WiFi: 2400 MHz ... 2483,5 MHz Bluetooth/BLE: 2400 MHz ... 2483,5 MHz
Banda de frecuencia (WiFi)	2,4 GHz
Potencia RF de salida	WiFi: 19,91 dBm (802.11b), 19,91 dBm (802.11g), 19,91 dBm (802.11n), Bluetooth: 11,23 dBm Bluetooth LE: 11,23 dBm
Dimensiones A x H x P (asas incluidas)	962 mm (37,87 in) × 530 mm (20,87 in) × 472 mm (18,58 in)
Peso	32,6 kg (71,9 lb)

## 15 Información legal

Este dispositivo cumple con la Parte 15 de las normas de la FCC. Su uso está sujeto a las siguientes dos condiciones:

- Este dispositivo no puede causar interferencias perjudiciales.
- Este dispositivo debe aceptar cualquier interferencia recibida, incluyendo interferencias que puedan causar un funcionamiento no deseado.

Los cambios o modificaciones no aprobados expresamente por la parte responsable del cumplimiento podrían anular la autoridad del usuario para operar el equipo. Después de poner a prueba este equipo, se ha determinado que cumple los límites exigidos para un dispositivo digital de clase B, de acuerdo con el apartado 15 de las normas de la Comisión Federal de Comunicaciones (FCC). Estos límites se han diseñado para proporcionar protección razonable contra interferencias perjudiciales en una instalación residencial. Este equipo genera, usa y puede irradiar energía de radiofrecuencia, y si no se instala y usa de acuerdo con lo estipulado en las instrucciones, podría causar interferencias perjudiciales en las comunicaciones de radio. Sin embargo, no existe garantía de que no se produzcan interferencias en una instalación concreta. Si este equipo genera interferencias perjudiciales para la recepción de radio o televisión, que pueden percibirse al encender y apagar el equipo, se recomienda al usuario que trate de corregir la interferencia siguiendo una o varias de las siguientes instrucciones:

- Reorientar o recolocar la antena receptora.
- Aumentar la separación entre el equipo y el receptor.
- Conectar el equipo a una toma de salida con un circuito diferente de al que está conectado el receptor.
- Consultar al distribuidor o a un técnico especialista en radio o televisión.

Este aparato cumple con la reglamentación RSS exenta de licencia de la industria canadiense. Su uso está sujeto a las dos condiciones siguientes:

- Este dispositivo no puede causar interferencias.
- Este aparato debe aceptar cualquier interferencia recibida, incluidas las que puedan causar un funcionamiento no deseado. Este aparato digital de clase B cumple con la norma ICES-3(B)/NBM-3(B) de Canadá.









**dometic.com**

---

**YOUR LOCAL  
DEALER**

**[dometic.com/dealer](https://dometic.com/dealer)**

**YOUR LOCAL  
SUPPORT**

**[dometic.com/contact](https://dometic.com/contact)**

**YOUR LOCAL  
SALES OFFICE**

**[dometic.com/sales-offices](https://dometic.com/sales-offices)**

---