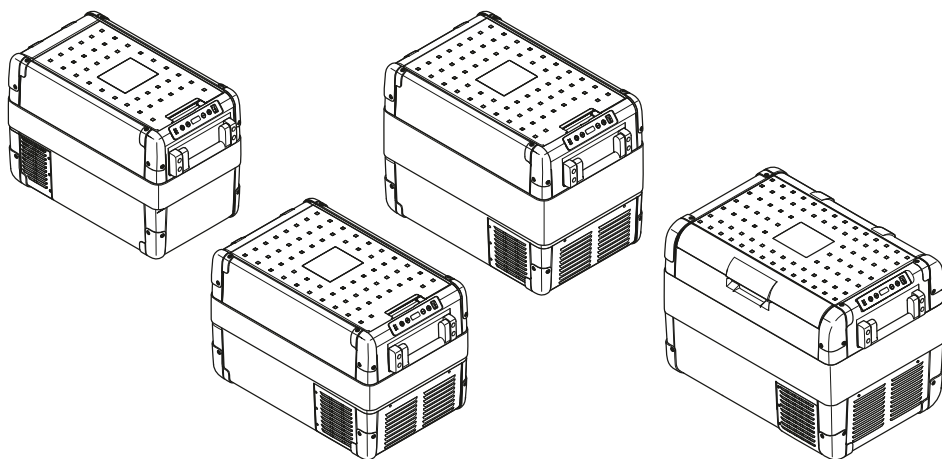


↗ DOMETIC

MOBILE COOLING

CFX2



Dometic CFX2 28, CFX2 37, CFX2 45, CFX2 57

EN

Portable compressor fridge

Operating Manual..... 3

Copyright

© 2024 Dometic Group. The visual appearance of the contents of this manual is protected by copyright and design law. The underlying technical design and the products contained herein may be protected by design, patent or pending patent. The trademarks mentioned in this manual belong to Dometic Sweden AB. All rights are reserved.

English

1	Important notes.....	3
2	Explanation of symbols.....	3
3	Explanation of symbols on the device.....	4
4	Safety instructions.....	4
5	Scope of delivery.....	6
6	Accessories.....	6
7	Intended use.....	7
8	Technical description.....	7
9	Operation.....	9
10	Cleaning and maintenance.....	18
11	Troubleshooting.....	18
12	Warranty.....	19
13	Disposal.....	20
14	Technical data.....	20

1 Important notes

Please read these instructions carefully and follow all instructions, guidelines, and warnings included in this product manual in order to ensure that you install, use, and maintain the product properly at all times. These instructions **MUST** stay with this product.

By using the product, you hereby confirm that you have read all instructions, guidelines, and warnings carefully and that you understand and agree to abide by the terms and conditions as set forth herein. You agree to use this product only for the intended purpose and application and in accordance with the instructions, guidelines, and warnings as set forth in this product manual as well as in accordance with all applicable laws and regulations. A failure to read and follow the instructions and warnings set forth herein may result in an injury to yourself and others, damage to your product or damage to other property in the vicinity. This product manual, including the instructions, guidelines, and warnings, and related documentation, may be subject to changes and updates. For up-to-date product information, please visit documents.dometic.com.

2 Explanation of symbols



DANGER!

Indicates a hazardous situation that, if not avoided, will result in death or serious injury.



WARNING!

Indicates a hazardous situation that, if not avoided, could result in death or serious injury.



CAUTION!

Indicates a hazardous situation that, if not avoided, could result in minor or moderate injury.



NOTICE!

Indicates a situation that, if not avoided, can result in property damage.



NOTE Supplementary information for operating the product.

3 Explanation of symbols on the device



Warning! Risk of fire. Flammable materials.

4 Safety instructions



DANGER! Electrocutation hazard

- On boats: If the device is powered by the mains, ensure that the power supply has a residual current circuit breaker (RCCB) or a ground fault circuit interrupter (GFCI). Installation, especially in potentially damp areas, must be in accordance with all applicable installation regulations.
- Do not touch exposed cables with your bare hands. This applies especially when operating the device from the AC mains.



WARNING! Electrocutation hazard

- Do not operate the cooling device if it is visibly damaged.
- If this cooling device's power cable is damaged, it must be replaced to prevent safety hazards.
- This cooling device may only be repaired by qualified personnel. Improper repairs can lead to considerable hazards.
- Plug the device to sockets that ensure proper connection especially when the device needs to be earthed.



WARNING! Fire hazard

- When positioning the device, ensure the supply cord is not trapped or damaged.
- Do not locate multiple portable socket-outlets or portable power supplies at the rear of the device.
- The refrigerant in the refrigerant circuit is highly flammable and in the event of a leakage combustible gases could build up if the appliance is in a small room. In the event of any damage to the refrigerant circuit:
 - Keep naked flames and potential ignition sources away from the refrigerator.
 - Ventilate the room well.
 - Switch off the refrigerator.
- For cooling devices with R600a refrigerant:
 - The refrigeration circuit contains a small quantity of an environmentally friendly but flammable refrigerant. It does not damage the ozone layer and does not increase the greenhouse effect. Any leaking refrigerant may ignite.
 - Do not use or store the cooling device in confined spaces with none or minimal air flow.
- Keep the ventilation openings on the device housing or in installations free of obstructions.
- Do not use any mechanical objects or other media to speed up the defrosting process, unless they have been recommended by the manufacturer for this purpose.
- Do not open or damage the refrigerant circuit.

- Do not use electrical devices inside the cooling device unless they are recommended by the manufacturer for that purpose.



WARNING! Health hazard

- This device is not intended for use by persons (including children) with reduced physical, sensory or mental capabilities, or lack of experience and knowledge, unless they have been given supervision or instruction concerning use of the device by a person responsible for their safety.
- Children must be supervised to ensure that they do not play with the device.
- Cleaning and user maintenance shall not be made by children without supervision.



WARNING! Explosion hazard

Do not store any explosive substances such as spray cans with a flammable propellant in the cooling device.



CAUTION! Electrocutation hazard

- Before starting the cooling device, ensure that the power supply cable and the plug are dry.
- Disconnect the cooling device from the power supply before each cleaning and maintenance and after every use.



CAUTION! Health hazard

- To avoid contamination of food, respect the following instructions:
 - Check if the cooling capacity of the device is suitable for storing the food you wish to cool.
 - Food may only be stored in its original packaging or in suitable containers.
 - Opening the cooling device for long periods can cause significant increase of the temperature in the compartments of the device.
 - Clean regularly surfaces that can come in contact with food and accessible drainage systems.
- If the device is left empty for long periods:
 - Switch off the device.
 - Defrost the device.
 - Clean and dry the device.
 - Leave the lid open to prevent mould developing within the device.

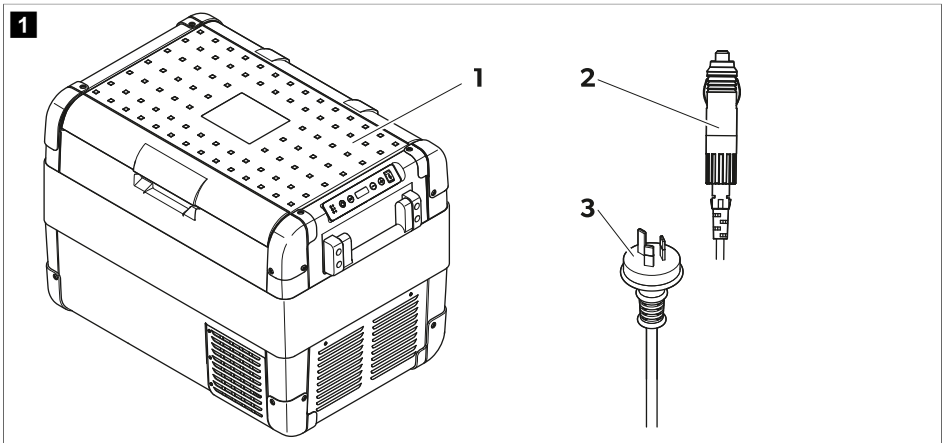


NOTICE! Damage hazard

- Check that the voltage specification on the type plate corresponds to that of the energy supply.
- Only connect the cooling device as follows:
 - With the DC connection cable to a DC power supply in the vehicle
 - Or with the AC connection cable to an AC power supply
- Never pull the plug out of the socket by the cable.
- If the cooling device is connected to a DC outlet: Disconnect the cooling device and other power consuming devices from the battery before connecting a quick charging device.
- If the cooling device is connected to a DC outlet: Disconnect the cooling device or switch it off when you turn off the engine. Otherwise you may discharge the battery.
- The cooling device is not suitable for transporting caustic materials or materials containing solvents.
- The insulation of the cooling device contains flammable cyclopentane and requires special disposal procedures. Deliver the cooling device at the end of its life-cycle to an appropriate recycling center.
- Do not place the cooling device near naked flames or other heat sources (campfires, heaters, direct sunlight, gas ovens etc.).

- Do not fill the inner container with ice or fluids.
- Never immerse the cooling device in water.
- Protect the cooling device and cables against heat and moisture.
- The cooling device shall not be exposed to rain.
- To enable the refrigerant to circulate properly, the cooling device may not tilted by more than 30 °. Use a spirit level to ensure the cooling device is level.
- **Risk of overheating!** Ensure at all times that there is sufficient ventilation on all four sides of the cooling device. Keep the ventilation area free of any objects that could restrict the air flow to the cooling components. Do not place the cooling device in closed compartments or areas with none or minimal air flow.

5 Scope of delivery



Item	Quantity	Description
1	1	portable fridge
2	1	Connection cable for DC connection
3	1	Connection cable for AC connection
-	1	Short operating manual

6 Accessories

Available as accessory (not included in scope of delivery):

Designation	Ref. no.	Model
Quick release fixing kit CFX-QFK	9105306218	CFX2 28 only
Mobile cooling app	-	suits all models

7 Intended use

The portable fridge is suitable for cooling and freezing food. The portable fridge is also suitable for use in vehicles. The portable fridge is designed to be operated from a DC power supply socket of a vehicle or from an AC power supply.

The portable fridge is also suitable for camping use.

The portable fridge is **not** suitable for:

- Quick freezing food
- Storage of corrosive, caustic, or solvent-containing substances
- Use as a built-in appliance

This portable fridge is only suitable for the intended purpose and application in accordance with these instructions.

This product is only suitable for the intended purpose and application in accordance with these instructions.

This manual provides information that is necessary for proper installation and/or operation of the product. Poor installation and/or improper operating or maintenance will result in unsatisfactory performance and a possible failure.

The manufacturer accepts no liability for any injury or damage to the product resulting from:

- Incorrect installation, assembly or connection, including excess voltage
- Incorrect maintenance or use of spare parts other than original spare parts provided by the manufacturer
- Alterations to the product without express permission from the manufacturer
- Use for purposes other than those described in this manual

Dometic reserves the right to change product appearance and product specifications.

8 Technical description

The portable fridge can cool products and freeze them. A low maintenance refrigerant circuit with compressor provides the cooling. The generous insulation and powerful compressor ensure efficient and fast cooling.

The portable fridge is portable.

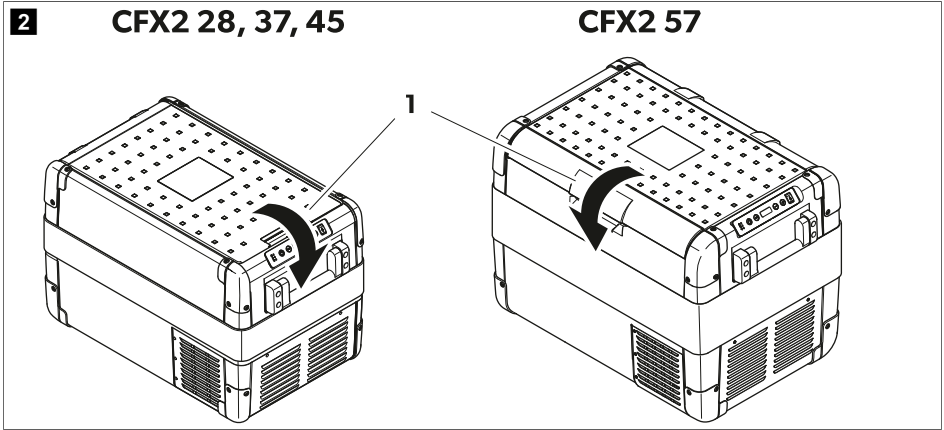
The portable fridge can withstand a short-term inclination of 30 °, for example on boats.

Scope of functions

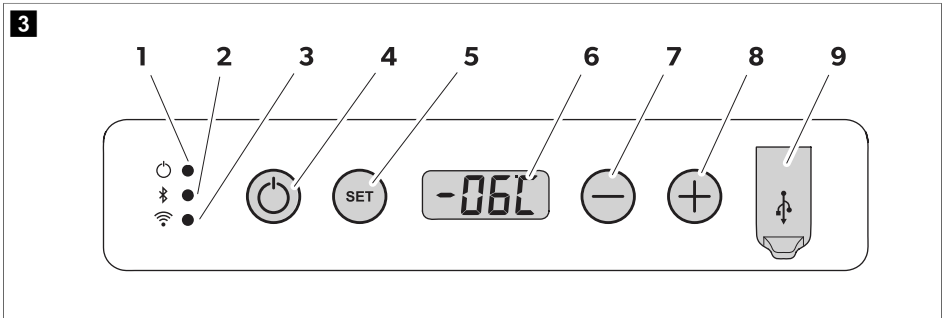
- Power supply with priority circuit for connecting to the AC power supply
- 3-level battery monitor to protect the vehicle battery
- Display with temperature gauge in °C and °F
- Temperature setting with 2 buttons in steps of 1 °C/1 °F
- Integrated Bluetooth and WLAN function for control the portable fridge via the mobile cooling app
- Foldable carrying handles
- USB port for a power supply
- Removable wire basket

Operating and display elements

Latch (Fig. 2 on page 8, 1) for lid:



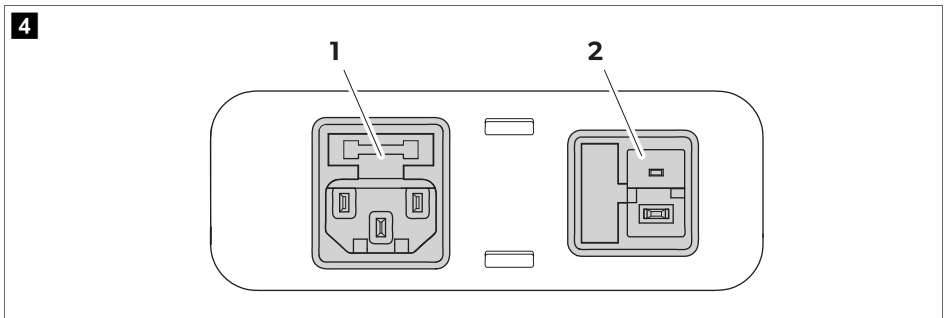
Control panel



Item	Description	Explanation
1	Power	Status indication
		The LED lights up white: The compressor starts running. The LED lights up orange: The compressor stops running.
2	Bluetooth	The LED is switched off: The Bluetooth of the portable fridge is switched off.
		The LED flashes slow white: The Bluetooth of the portable fridge is switched on. The portable fridge is not paired with a device.
		The LED flashes fast white: The portable fridge pairs with a device via Bluetooth.
		The LED lights up white: The portable fridge is paired with a device via Bluetooth.
3	WLAN	The LED is switched off: The WLAN of the portable fridge is switched off.
		The LED flashes white: The WLAN of the portable fridge is switched on. The portable fridge is not connected to a device.

Item	Description	Explanation
		The LED lights up white: The portable fridge is paired with a device via WLAN.
4	ON/OFF	Switches the portable fridge on or off.
5	SET	<p>Selects the input mode:</p> <ul style="list-style-type: none"> • Temperature setting • Celsius or Fahrenheit display • Set battery monitor • Set brightness of display • Set the display mode • Set Bluetooth • Set WLAN
6		Display
7	-	Sets the temperature, the temperature unit, the battery monitor, the brightness of the display, the mode, the Bluetooth, and the WLAN.
8	+	
9		USB port

Connection sockets



Item	Description
1	Connection socket AC voltage supply
2	Connection socket DC voltage supply

9 Operation

Before initial use

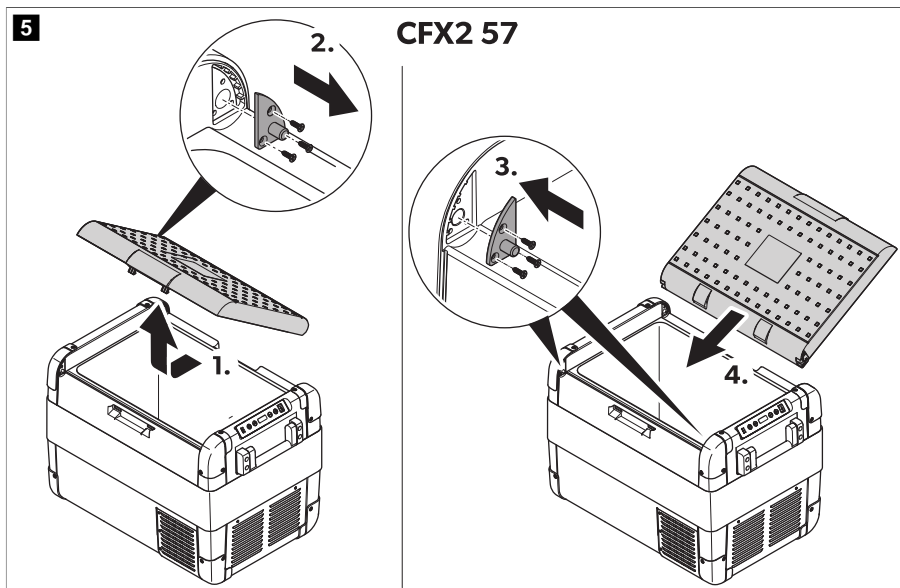


NOTE Before starting the portable fridge for the first time, clean the inside and outside of the portable fridge with a damp cloth for hygienic reasons (see *Cleaning and maintenance* on page 18).

Reversing the lid opening direction (CFX2 57 only)

The lid hinges can be moved to the opposite side.

1. Open and remove the lid (Fig. 5 on page 10).



2. Remove the 3 screws for each hinge (Fig. 5 on page 10) and take them off.
3. Re-fit the hinges in the new positions.
4. Insert the lid into the new hinge positions (Fig. 5 on page 10).

Saving energy

- > Choose a well ventilated location which is protected from direct sunlight.
- > Allow warm food to cool down first before placing it in the cooling device to keep cool.
- > Do not open the cooling device more often than necessary.
- > Do not leave the cooling device open for longer than necessary.
- > If the cooling device has a basket: For optimal energy consumption, position the basket according to its position on delivery.
- > On a regular basis, ensure that the lid seal still fits properly.

Connecting the portable fridge

Connecting to a battery



NOTICE! Damage hazard

- For protection of the device the DC cable supplied includes a fuse inside the plug. Do **not** remove the fused DC plug. Only use the DC cable supplied.

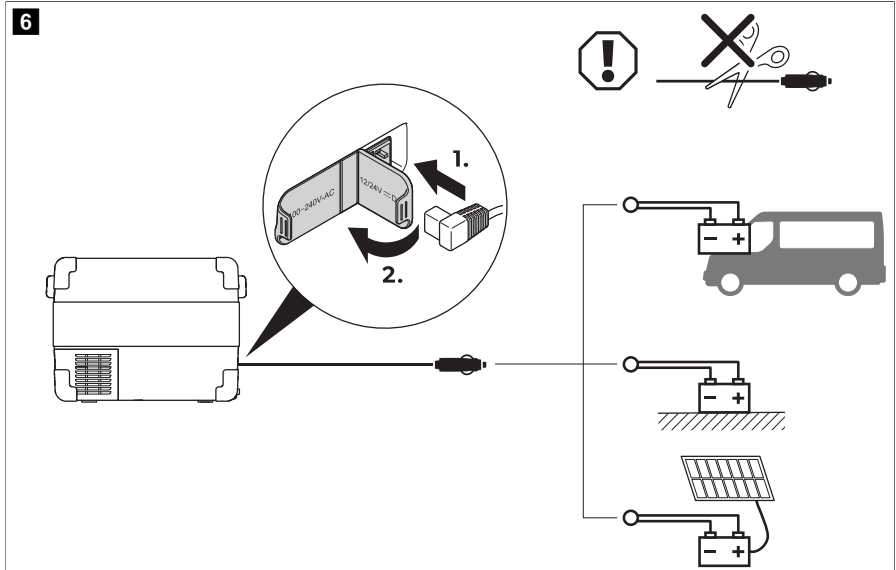
- Disconnect the portable fridge and other consumer units from the battery before connecting the battery to a quick charging device. Overvoltage can damage the electronics of devices connected to the battery.



NOTE The portable fridge is equipped with an electronic system to prevent polarity reversal. The electronic system protects the portable fridge against short-circuiting when connected to a battery.

The portable fridge can be operated with 12 V $\overline{=}$ or 24 V $\overline{=}$.

- > Connect the portable fridge to a battery using the DC connection cable as shown.



Connecting to an AC power supply



DANGER! Electrocutation hazard

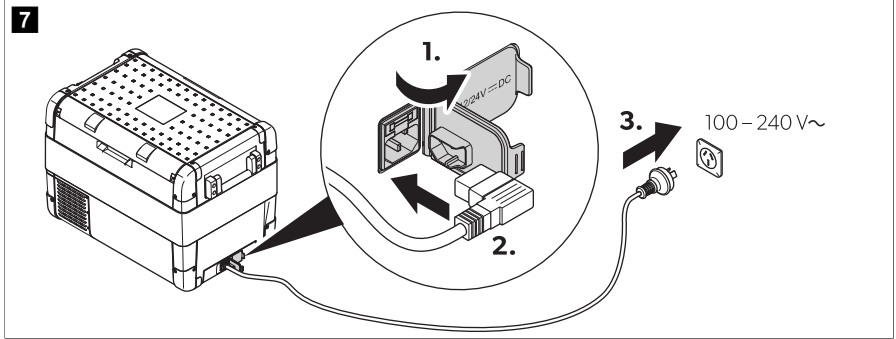
- Never handle plugs and switches with wet hands or if you are standing on a wet surface.
- If the portable fridge is operated on board a boat from an AC power supply, a residual current circuit breaker must be installed between the AC power supply and the portable fridge. Seek advice from a trained technician.



NOTE

The portable fridge is equipped with an integrated multi-voltage power supply with priority circuit for connecting to an AC voltage source. The priority circuit automatically switches the portable fridge to AC operation, if the portable fridge is connected to an AC power supply, even if the DC connection cable is still attached.

- > Connect the portable fridge to a AC power supply using the AC connection cable as shown.



Using the portable fridge



NOTICE! Damage hazard

Place the portable fridge with the base facing downwards.

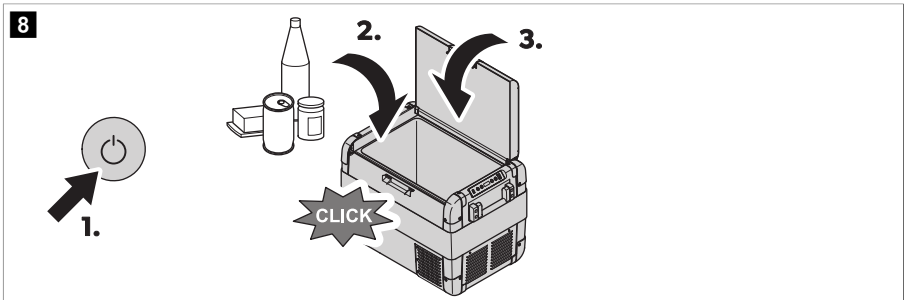
1. Place the portable fridge on a firm foundation.
2. Connect the portable fridge (see chapter *Connecting the portable fridge* on page 10).



WARNING! Health hazard

Ensure that only the items that are to be cooled at the selected temperature are placed in the portable fridge.

3. Press the "ON/OFF" button for 1 ... 2 s.

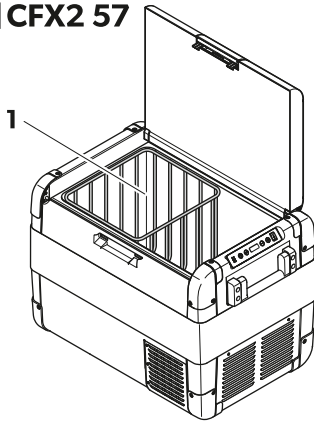


- ✓ The power LED lights up. The display switches on and displays the current temperature.



NOTE Displayed temperature

CFX2 57: The temperature displayed is the temperature of the large interior compartment (Fig. 9 on page 13 1).

9 CFX2 57

The portable fridge starts cooling the interior.

Latching the portable fridge lid


1. Close the lid.
2. Press the latch down until it audibly clicks into place.

Avoiding food waste


To avoid food waste, note the following

- > Keep temperature fluctuation as low as possible. Only open the cooling device as often and for as long as necessary. Store the foodstuff in such a way that the air can still circulate well.
- > Adjust the temperature to the quantity and type of the foodstuff.
- > Foodstuff can easily absorb or release odor or taste. Always store foodstuff covered or in closed containers/bottles.

Setting the temperature

1. Press the **SET** button 1 time.
 2. Use the **+** and **-** buttons to select the cooling temperature.
- ✓ The selected temperature and  appears in the display for a few seconds. The display flashes several times. Afterward the current temperature is displayed again.

Selecting the temperature unit

1. Press the **SET** button 2 times.
 2. Press the **+** or **-** button to select the temperature unit.
- ✓ The selected temperature unit and  are displayed on the display for a few seconds. The display flashes several times before displaying the current temperature.

Using the battery monitor



NOTICE! Damage hazard

When the battery monitor switches off, the battery is no longer fully charged. Avoid repeated starting or the operation of power consumers without longer charging phases. Ensure that the battery is recharged.

The portable fridge is equipped with a multi-level battery monitor that protects the vehicle battery against excessive discharging when the portable fridge is connected to the on-board DC supply.

If the portable fridge is operated with the vehicle ignition switched off, the portable fridge switches off automatically as soon as the supply voltage falls below a certain value. The portable fridge switches on again as soon as the battery is recharged to the restart voltage.

In the "HIGH" mode, the battery monitor responds faster than at the "LOW" and "MED" modes.

Battery monitor mode	LOW	MED	HIGH
Restart voltage at 12 V	11.4 V	12.2 V	12.6 V
Switch-off voltage at 12 V	10.1 V	11.2 V	11.8 V
Restart voltage at 24 V	23 V	25.3 V	26.4 V
Switch-off voltage at 24 V	21.5 V	24.1 V	24.6 V

Select the battery monitor mode as follows:

1. Switch on the portable fridge.
 2. Press the **SET** button 3 times.
 3. Use the **+** or **-** buttons to select the battery monitor mode.
- ✓ The display changes as follows: **[P L0]** (LOW), **[P M0]** (MED), **[P H1]** (HIGH)

The selected mode appears in the display for a few seconds. The display flashes several times before returning to the current temperature.



NOTE When the portable fridge is supplied by the starting battery, select the battery monitor mode "HIGH". If the portable fridge is connected to a house battery, select the battery monitor mode "LOW".

Setting the display brightness

The display brightness can be dimmed for low ambient light conditions.

1. Switch on the portable fridge.
 2. Press the **SET** button 4 times.
 3. Use the **+** or **-** buttons to set the brightness of the display.
- ✓ The display changes as follows: **[d L0]** (low), **[d M0]** (medium), **[d H1]** (high)

The display displays the set mode for a few seconds. The display flashes a few times before returning to the current brightness.



NOTE If a fault occurs, the brightness automatically switches to **[d H1]** (default). Once the fault has been rectified, the set brightness is reactivated.

Using the USB port

The USB port allows small devices such as cell phones and mp3 players to be charged.

- > Connect the device to be charged to the USB port of the portable fridge using a USB cable (not included).



NOTE Ensure that the connected device is compatible with the operation of 5 V / 2 A.

Setting the display mode

1. Press the **SET** button 5 times.
 2. Use the **+** or **-** buttons to set the sleep mode.
- ✓ The display changes as follows: **5 0F** (OFF), **5 0n** (ON), **5 Lo** (Low)

S 0f (OFF): The sleep mode is deactivated. The display is constantly switched on.

S 0n (ON): The sleep mode is activated. If the portable fridge is not used for several minutes, the display only displays a dot.

S Lo (Low): The sleep sub-mode is activated. If the portable fridge is not used for several minutes, the display switches to the lowest display brightness.



NOTE If the display is in the sleep mode or sleep-sub mode, press a button on the portable fridge to briefly exit the corresponding mode.

Using the mobile cooling app

The portable fridge can be monitored and controlled via Bluetooth or WLAN using an app that can be installed on a compatible device.

1. Download and install the mobile cooling app.



Get the app from qr.dometic.com/beiv4R.

2. Press the **SET** button as follows:
 - 6 times to open the Bluetooth settings.
 - 7 times to open the WLAN settings.
3. Use the **+** or **-** buttons to set the Bluetooth or WLAN.



NOTE If the portable fridge is paired with a compatible device via Bluetooth, the pairing mode must be set.

- ✓ The display changes as follows when setting the Bluetooth: **bL 0F** (OFF), **bL 0n** (ON), **bL PA** (Pairing)



NOTE If **bL 0F** is displayed, the display does not change when the **-** button is pressed. If **bL PA** is displayed, the display does not change when the **+** button is pressed.

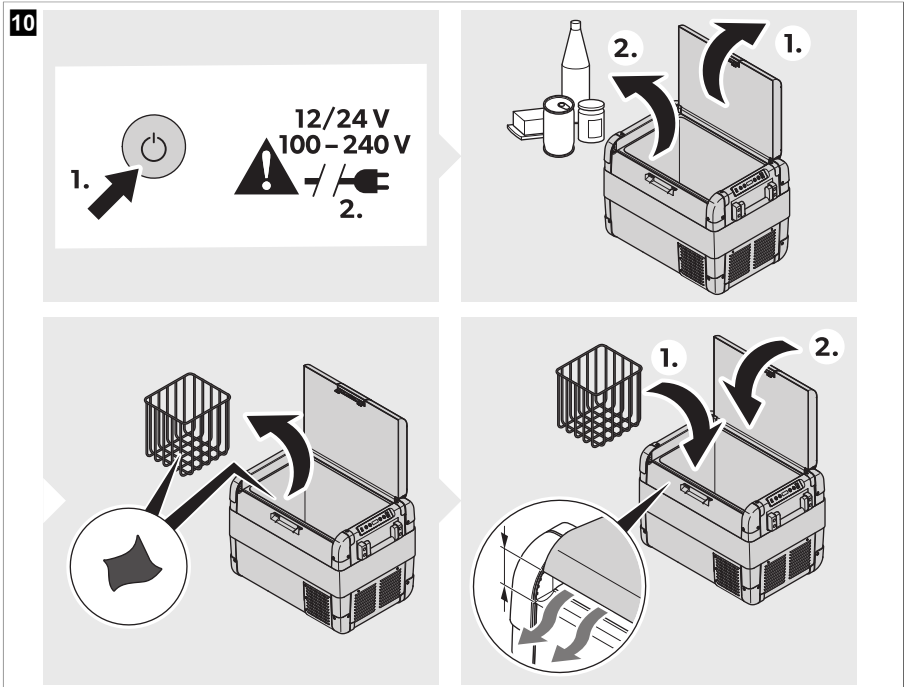
The Bluetooth LED flashes white and the display displays **bL** while the pairing to Bluetooth is being established.

The display changes as follows when setting the WLAN: **[F,OFF]** (OFF), **[F,On]** (ON)

4. Follow the instructions in the mobile cooling app.
- ✓ The Bluetooth or WLAN LED lights up when the portable fridge is connected.

Switching the portable fridge off

1. Empty the portable fridge.



2. Press the "ON/OFF" button.
3. Pull out the connection cable.
4. If the portable fridge is not used for a longer period of time, leave the lid open so that no odors can build up.

Defrosting the portable fridge

Humidity can form frost in the interior of the portable fridge or on the evaporator. This reduces the cooling capacity.



NOTICE! Damage hazard

Never use hard or pointed tools to remove ice or to loosen objects which have frozen in place.

To defrost the portable fridge, proceed as follows:

1. Remove the contents of the portable fridge.
2. If necessary, place the contents in another portable fridge to keep them cool.

3. Switch off the portable fridge.
4. Leave the lid open.
5. Wipe off the defrosted water.

Replacing the AC fuse



DANGER! Electrocutation hazard

Disconnect the power supply and the connection cable before replacing the AC fuse.

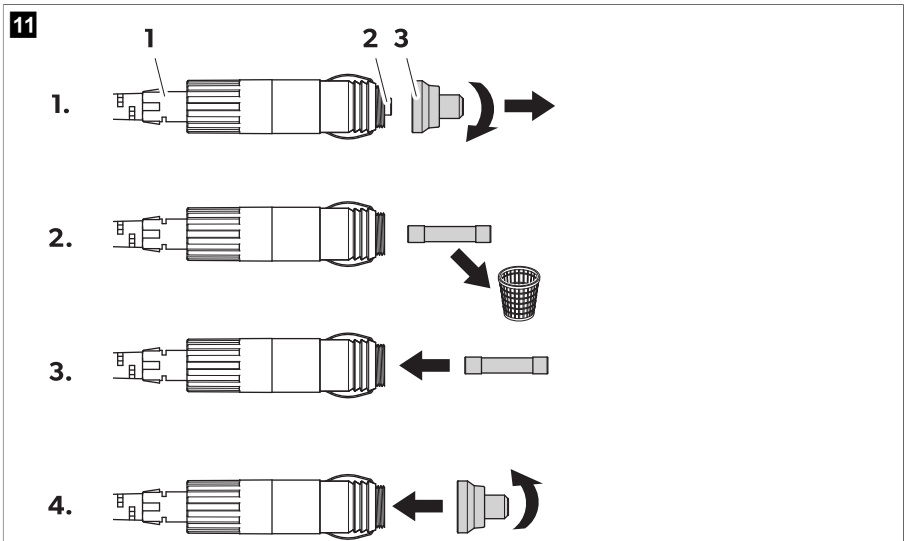
1. Disconnect the power supply to the portable fridge.
2. Pull off the connection cable.
3. Pry out the fuse insert (Fig. 4 on page 9 2) with a screwdriver.
4. Replace the defective glass fuse with a new one that has the same type and rating (4 A, 250 V).
5. Press the fuse insert back into the housing.
6. Reconnect the power supply to the device.

Replacing the DC plug fuse



NOTE There is an additional DC fuse inside the device (Automotive standard blade fuse, 10 A). This fuse can only be replaced by an authorized repair center.

1. Unscrew the contact pin housing (Fig. 11 on page 17 3) from the plug (Fig. 11 on page 17 1).



2. Replace the defective fuse (Fig. 11 on page 17 2) with a new fuse of the same type and rating (3AG, Fast Acting, 10 A).

3. Re-assemble the plug in reverse order.

Replacing the light PCB



NOTICE! Damage hazard

The light PCB may only be replaced by the manufacturer, a service agent service or a similarly qualified person in order to avoid hazard.

10 Cleaning and maintenance



CAUTION! Electrocutation hazard

Ensure that the cooling device is disconnected from the power supply before any cleaning or maintenance work.



NOTICE! Damage hazard

- Never clean the cooling device under running water or in dish water.
 - Do not use abrasive cleaning agents or hard objects during cleaning.
- > Occasionally clean the device interior and exterior with a damp cloth.
- > Ensure that the air inlet and outlet vents on the cooling device are free of any dust and dirt, so that heat can be released and the cooling device is not damaged.

11 Troubleshooting

Problem	Possible cause	Suggested remedy
The portable fridge does not operate. The power LED does not light up.	No voltage is detected at the DC socket.	> Activate the ignition of the vehicle.
	No voltage is detected at the AC socket.	> Use another plug socket.
	The AC fuse is defective.	> Replace the AC fuse, see Replacing the AC fuse on page 17.
	The integrated mains adapter is defective.	> Contact an authorized service agent.
The power LED lights up orange, the error code E 01 is displayed, and the portable fridge is not cooling even though the plug is plugged in.	The battery monitor is set too high.	<ol style="list-style-type: none"> 1. Set the battery monitor to a lower mode (see Using the battery monitor on page 14). 2. Test the starting battery. 3. If necessary, charge the starting battery. <p>Follow the manufacturer's instructions.</p>
	The battery monitor is set too low.	<ol style="list-style-type: none"> 1. Set the battery monitor to a higher mode (see Using the battery monitor on page 14). 2. Test the starting battery.

Problem	Possible cause	Suggested remedy
		3. If necessary, charge the starting battery. Follow the manufacturer's instructions.
When operating the portable fridge from the DC outlet: The ignition is on and the portable fridge does not operate. The power LED does not light up.	The DC plug is not connected correctly.	> Reconnect the DC plug.
	The DC socket is dirty. This leads to poor electrical contact.	> Clean the DC outlet. Follow the manufacturer's instructions.
	The DC plug fuse has blown.	> Replace the DC plug fuse, see chapter Replacing the DC plug fuse on page 17.
	The DC fuse inside the portable fridge has blown.	> Contact an authorized service agent.
	The vehicle DC outlet fuse has blown.	> Replace the vehicle DC outlet fuse. Follow the manufacturer's instructions.
The display displays an error code and the portable fridge does not cool (see Error codes on page 19).	The portable fridge has switched off due to an internal fault.	> Contact an authorized service agent.

Error codes



NOTE If one of the error codes **E 02** to **E 07** occurs, contact an authorized service agent.

Error code	Description
E 01	Low voltage/overvoltage
E 02	Fan overcurrent
E 03	Compressor start failed
E 04	Compressor speed low
E 05	Controller overheated
E 06	NTC open circuit
E 07	NTC short circuit

12 Warranty

If the product does not work as it should, please contact your retailer or the manufacturer's branch in your country (see dometic.com/dealer). The warranty applicable to your product is 5 year(s).

For repair and warranty processing, please include the following documents when you send in the device:

- A copy of the receipt with purchasing date

- A reason for the claim or description of the fault

Note that self-repair or nonprofessional repair can have safety consequences and might void the warranty.

Australia only

Our goods come with guarantees that cannot be excluded under the Australian Consumer Law. You are entitled to a replacement or refund for a major failure and for compensation for any other reasonably foreseeable loss or damage. You are also entitled to have the goods repaired or replaced if the goods fail to be of acceptable quality and the failure does not amount to a major failure.

New Zealand only

New Zealand only

This warranty policy is subject to the conditions and guarantees which are mandatory as implied by the Consumer Guarantees Act 1993(NZ).

13 Disposal



WARNING! Risk of child entrapment

Before disposing of your old cooling device, dismantle the lid. Leave the baskets in place so that children may not easily climb inside.



Place the packaging material in the appropriate recycling waste bins, wherever possible. Consult a local recycling center or specialist dealer for details about how to dispose of the product in accordance with the applicable disposal regulations.



Recycling products with batteries, rechargeable batteries, and light sources: Remove any batteries, rechargeable batteries, and light sources before recycling the product. Return defective or used batteries to your retailer or dispose of them at collection points. Do not dispose of any batteries, rechargeable batteries, and light sources with general household waste. If you wish to finally dispose of the product, ask your local recycling center or specialist dealer for details about how to do this in accordance with the applicable disposal regulations. The product can be disposed free of charge.

14 Technical data



NOTE If the ambient temperature is above 32 °C, the minimum temperature cannot be attained.

This product contains fluorinated greenhouse gases.

The cooling unit is hermetically sealed.

	CFX2 28	CFX2 37	CFX2 45	CFX2 57
Rated input	50 ... 60 Hz 100 ... 240 V~			

	CFX2 28	CFX2 37	CFX2 45	CFX2 57
Rated current	12 V: 8.6 A	12 V: 8.7 A	12 V: 8.8 A	12 V: 9 A
	24 V: 3.8 A	24 V: 3.85 A	24 V: 3.9 A	24 V: 4 A
	100 V: 1.6 A	100 V: 1.63 A	100 V: 1.65 A	100 V: 1.7 A
	240 V: 0.77 A	240 V: 0.78 A	240 V: 0.79 A	240 V: 0.8 A
Cooling capacity	- 22 °C ... 20 °C			
Ambient temperature	16 °C ... 43 °C			
Climate class	N or T			
USB	5 V 2 A			
Refrigerant	R600a			
Refrigerant quantity	13 g	13 g	14 g	17 g
Dimensions (W × H × D, including handles)	345 mm × 427 mm × 375 mm	401 mm × 428 mm × 430 mm	401 mm × 493 mm × 430 mm	458 mm × 503 mm × 485 mm
Volume	28 L	37 L	45 L	57 L
Weight	13.5 kg	15.8 kg	16.8 kg	18.5 kg



dometic.com

YOUR LOCAL DEALER

dometic.com/dealer

YOUR LOCAL SUPPORT

dometic.com/contact

YOUR LOCAL SALES OFFICE

dometic.com/sales-offices
